
Rotel®

Rotel 3

SERVICE MANUAL



MOFFAT

MANUFACTURED BY

Moffat Limited
Rolleston 7675
New Zealand

INTERNATIONAL CONTACTS

AUSTRALIA

Moffat Pty Limited

Web: www.moffat.com.au
E.Mail: vsales@moffat.com.au
Main Office: (tel) +61 (03) 9518 3888
(fax) +61 (03) 9518 3838
Service: (tel): 1800 622 216
Spares: (tel): 1800 337 963
Customer Service: (tel): 1800 335 315
(fax): 1800 350 281

CANADA

Serve Canada

Web: www.servecanada.com
E.Mail: info@servecanada.com
Sales: (tel): 800 551 8795 (Toll Free)
Service: (tel): 800 263 1455 (Toll Free)

NEW ZEALAND

Moffat Limited

Web: www.moffat.co.nz
E.Mail: sales@moffat.co.nz
Main Office: (tel): 0800 663328

UNITED KINGDOM

Blue Seal

Web: www.blue-seal.co.uk
E.Mail: sales@blue-seal.co.uk
Sales: (tel): +44 121 327 5575
(fax): +44 121 327 9711
Spares: (tel): +44 121 322 6640
(fax): +44 121 327 9201
Service: (tel): +44 121 322 6644
(fax): +44 121 327 6257

UNITED STATES

Moffat

Web: www.moffat.com
Sales: (tel): 1800 551 8795 (Toll Free)
(tel): +1 336 661 1556
(fax): +1 336 661 9546
Service: (tel): 866 673 7937 (Toll Free)

REST OF WORLD

Moffat Limited

Web: www.moffat.co.nz
E.Mail: export@moffat.co.nz

The reproduction or copying of any part of this manual by any means whatsoever is strictly forbidden unless authorized previously in writing by the manufacturer.

In line with policy to continually develop and improve its products, Moffat Ltd. reserves the right to change the specifications and design without prior notice.

© Copyright Moffat Ltd. July 2018.

Contents List

Moffat Rotel3 Ovens

R3M3D3S **3 Deck, 3 Split, 12 Tray.**
R3M4D1S **4 Deck, 1 Split, 10 Tray.**
R3M4DHC **4 Deck, High Crown, 8 Tray.**

R33D3S **3 Deck, 3 Split, 24 Tray.**
R34D1S **4 Deck, 1 Split, 20 Tray.**
R34DHC **4 Deck, High Crown, 16 Tray.**

1	Specifications	2
2	Operation.....	7
3	Controller Messages and Errors	8
4	Parts Replacement	11
4.1	Access	12
4.2	Electrical Components.....	13
4.3	Drive Assembly / Turntables / Elements.....	17
4.4	Door Components.....	19
5	Programming / Diagnostics	21
5.1	Options	21
5.2	System Config	21
5.3	Diagnostics	25
5.4	Fallback Mode	26
6	Circuit Schematics.....	28
6.1	Single R3M3D3S	28
6.2	Single R3M4D1S	29
6.3	Single R3M4DHC	30
6.4	Twin R33D3S	31
6.5	Twin R34D1S	32
6.6A	Twin R34D1S - (208V) - Up To Ser No. 1832607.....	33
6.6B	Twin R34D1S - (208V) - From Ser No. 1832608.....	34
6.7	Twin R34DHC.....	35
7	Exploded Parts Listings	36
7.1	Single R3M3D3S	38
7.2	Single R3M4D1S	47
7.3	Single R3M4DHC	56
7.4	Twin R33D3S	65
7.5	Twin R34D1S	76
7.6	Twin R34DHC.....	89

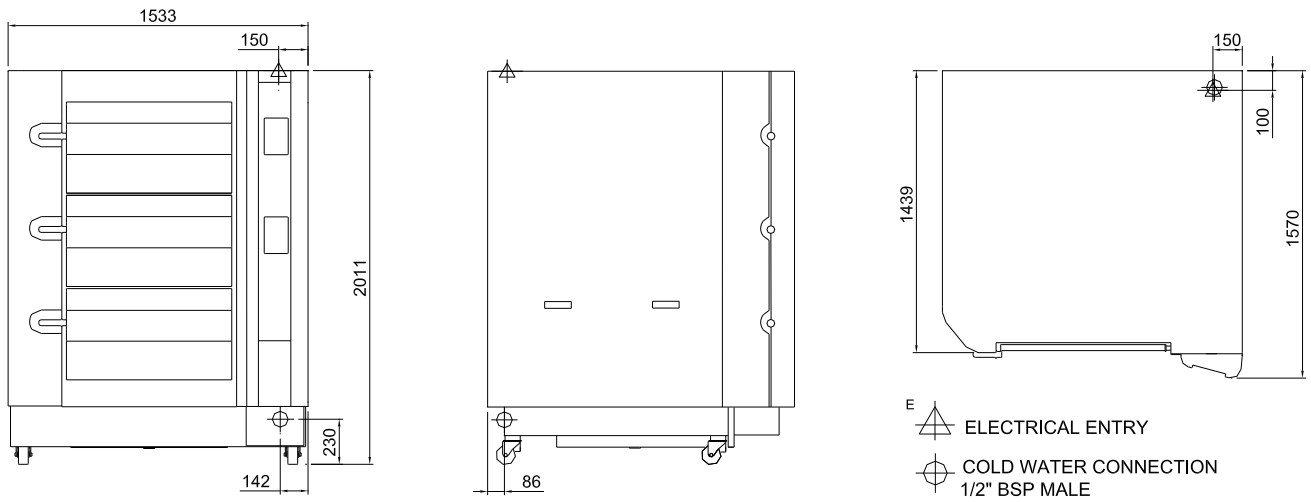
1 specifications

Model	R3M3D3S / R3M3D3SW	R3M4D1S	R3M4DHC	R33D3S	R34D1S	R34DHC
	Single	Single	Single	Twin	Twin	Twin
Deck Configuration	3 deck, 3 split	4 deck, 1 split	4 deck, High Crown	3 deck, 3 split	4 deck, 1 split	4 deck, High Crown
Tray Capacity (*)	12 tray	10 tray	8 tray	24 tray	20 tray	16 tray
Loaf Capacity (**)	60	60	48	120	120	96
Crown Height (mm)						
Deck 1 (Top Deck)	205 / 135	200	200	205 / 135	200	200
Deck 2	170 / 170	180	200	170 / 170	180	200
Deck 3	170 / 170	180	200	170 / 170	180	200
Deck 4	n/a	170 / 170	200	n/a	170 / 170	200
Dimensions	1533 (W) 1570 (D) 2011 (H)	1533 (W) 1570 (D) 1893 (H)	1533 (W) 1570 (D) 1893 (H)	2750 (W) 1528 (D) 2011 (H)	2750 (W) 1528 (D) 1893 (H)	2750 (W) 1528 (D) 1893 (H)
Power Supply	400-415V, 3P+N+E, 50Hz	400-415V, 3P+N+E, 50Hz	400-415V, 3P+N+E, 50Hz	400-415V, 3P+N+E, 50Hz	400-415V, 3P+N+E, 50Hz 208V, 3P+E, 60Hz (Canada Only)	400-415V, 3P+N+E, 50Hz
Total Power	34.0kW	29.2kW	23.9kW	67.5kW	57.9kW	47.3kW
Packed Size	1710 (W) 1900 (D) 2350 (H)	1710 (W) 1900 (D) 2350 (H)	1710 (W) 1900 (D) 2350 (H)	3090 (W) 1900 (D) 2350 (H)	3090 (W) 1900 (D) 2350 (H)	3090 (W) 1900 (D) 2350 (H)
Packed Weight	1010kg	1020kg	1020kg	1760kg	1760kg	1760kg
Nett Weight	850kg	860kg	860kg	1600kg	1600kg	1600kg

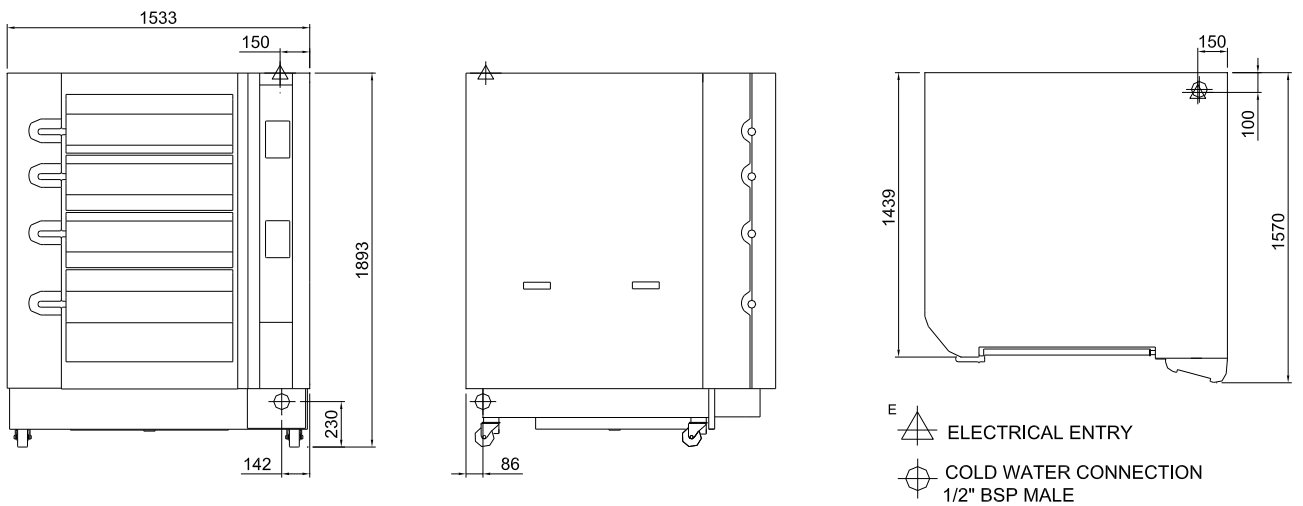
NOTE:- All Ovens:

- (*) Oven Chambers accept 16" and 18" wide trays.
- (**) Standard 680gm loaf.

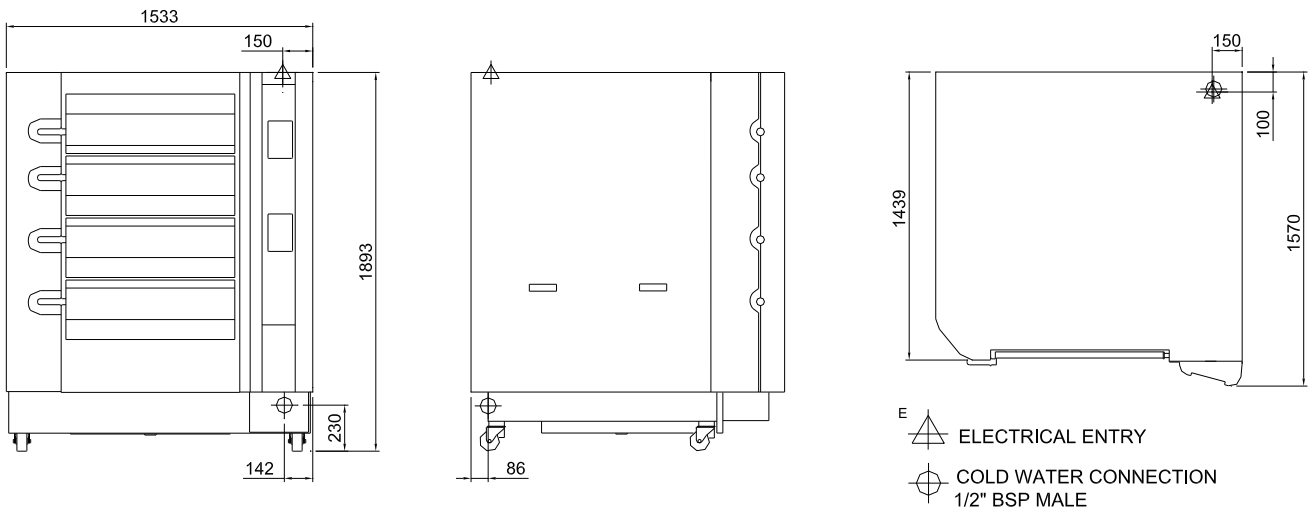
ROTEL R3M3D3S / R3M3D3SW - Up To Ser No. 1833684



ROTEL R3M4D1S - Up To Ser No. 1833684

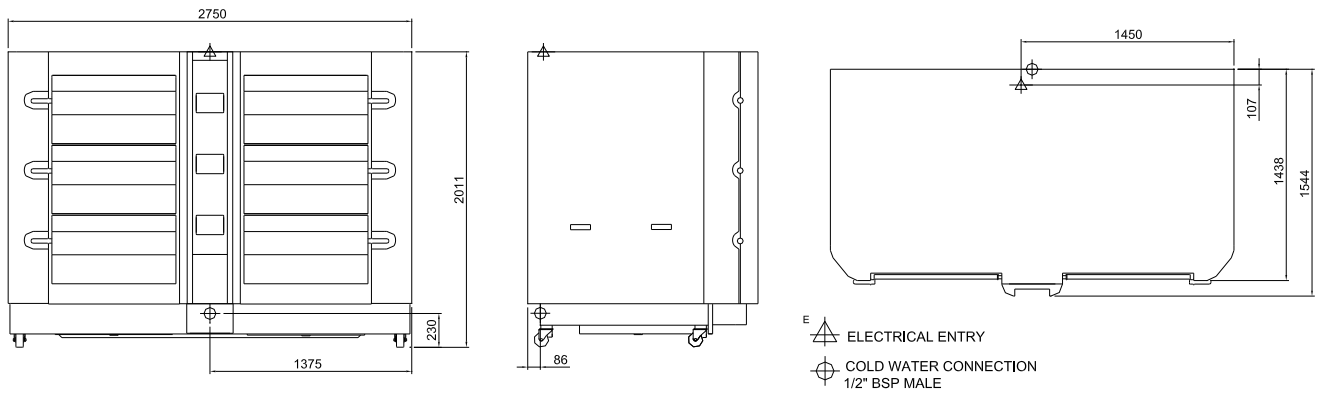


ROTEL R3M4DHC - Up To Ser No. 1833684

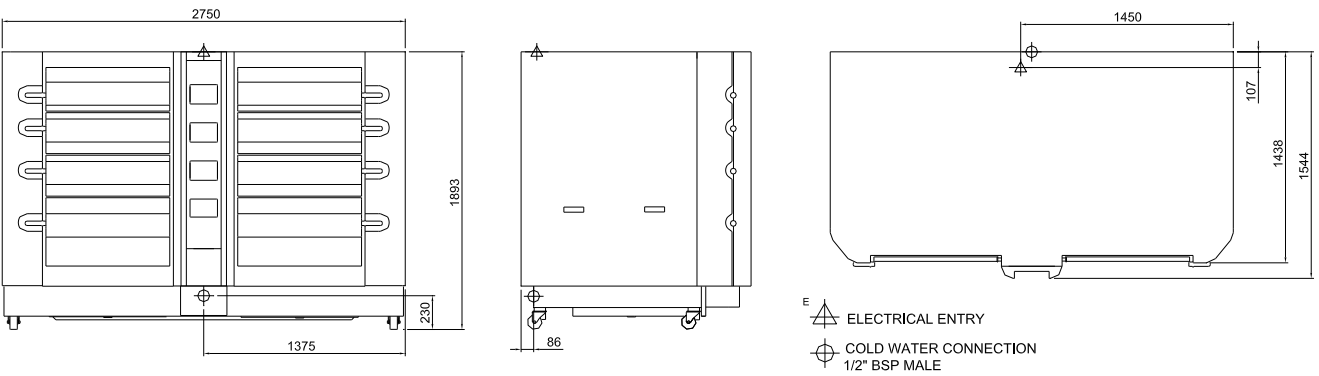


1 Specifications

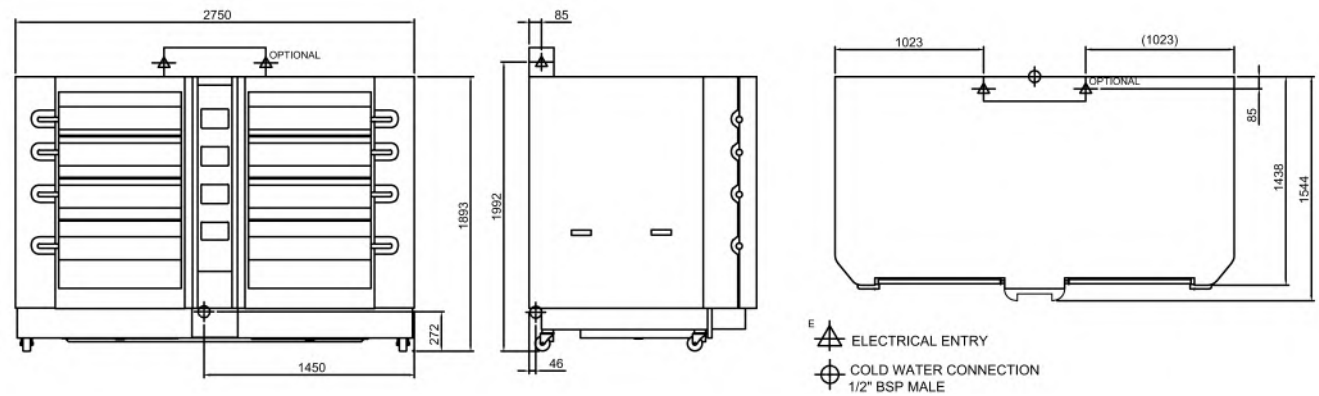
ROTEL R33D3S - Up To Ser No. 1833684



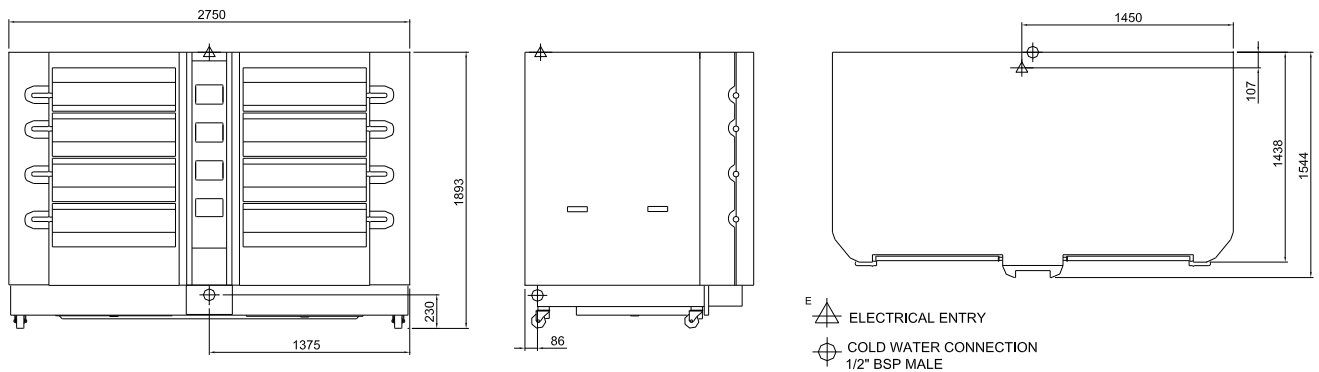
ROTEL R34D1S - Up To Ser No. 1833684



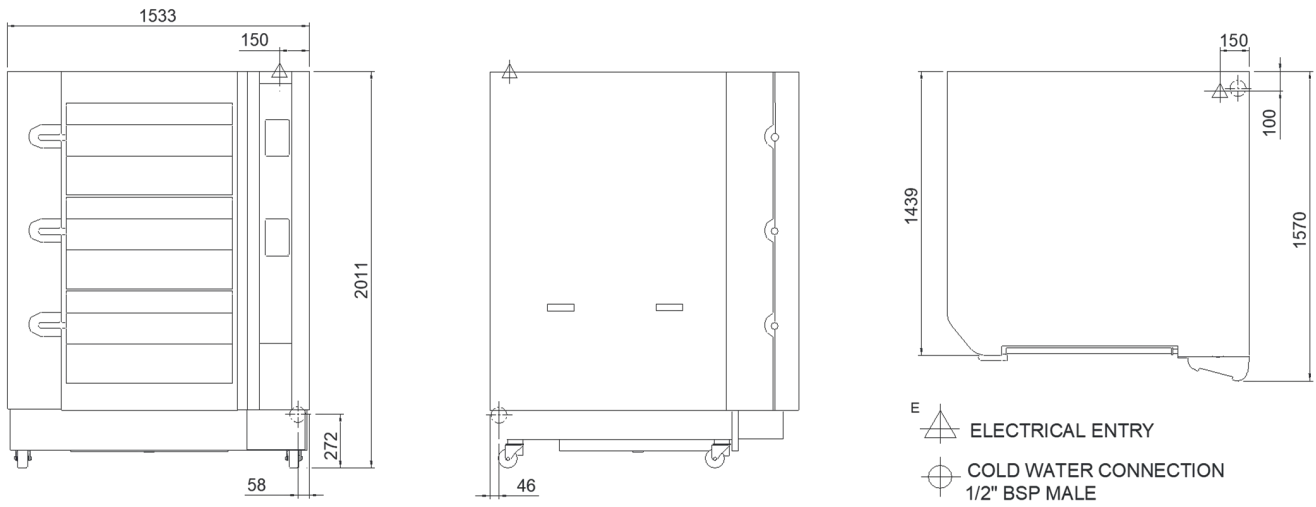
ROTEL CAR34D1S - Up To Ser No. 1833684



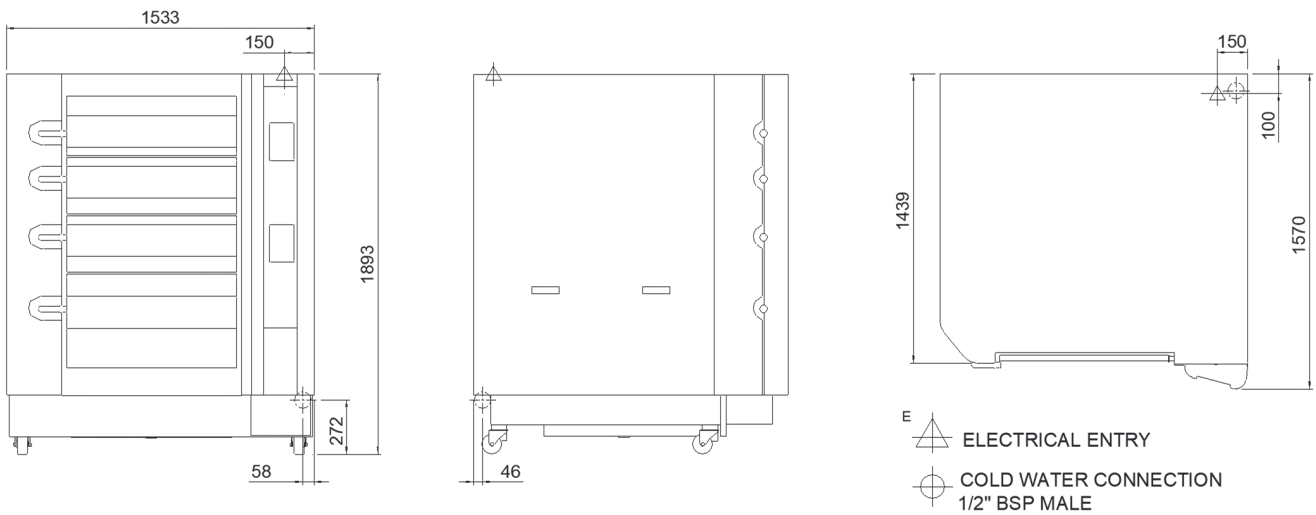
ROTEL R34DHC - Up To Ser No. 1833684



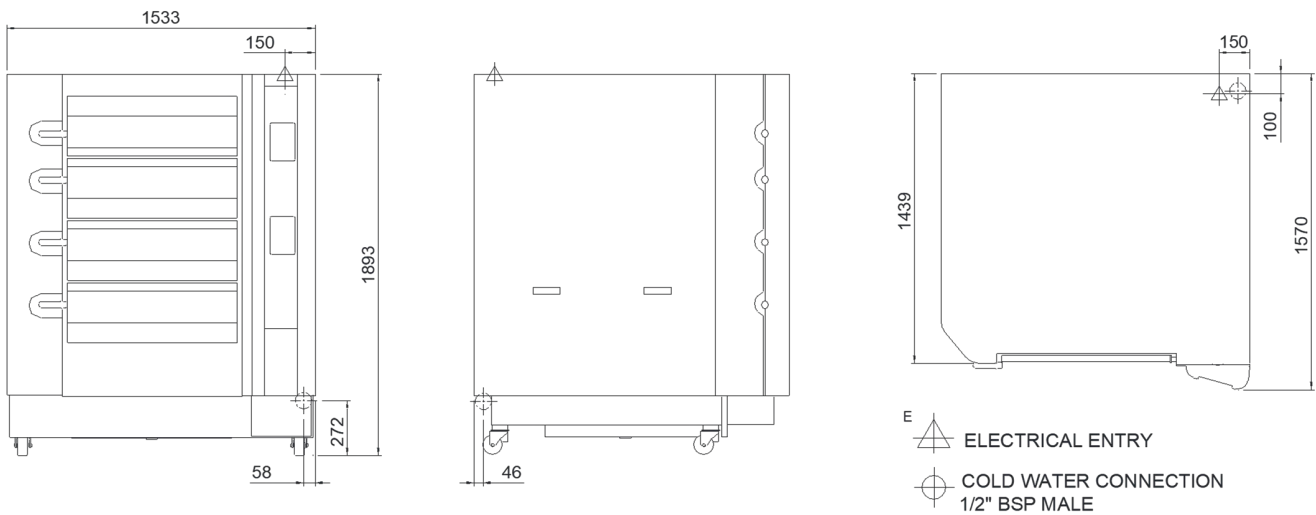
ROTEL R3M3D3S / R3M3D3SW - From Ser No. 1833685



ROTEL R3M4D1S - From Ser No. 1833685

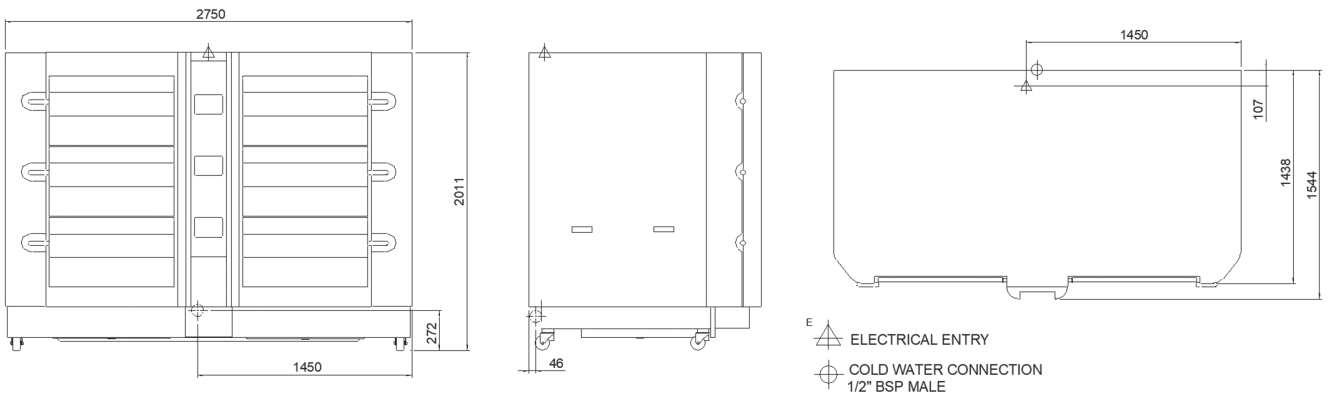


ROTEL R3M4DHC - From Ser No. 1833685

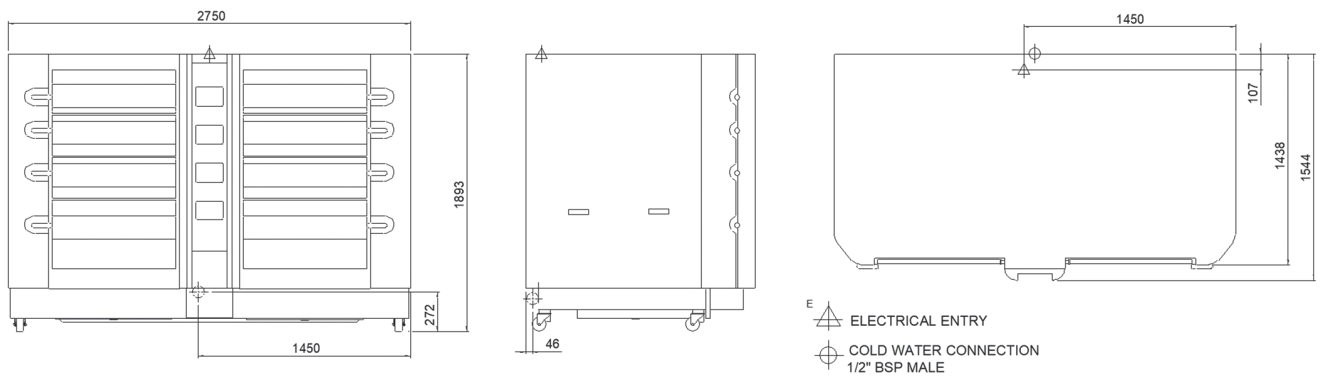


1 specifications

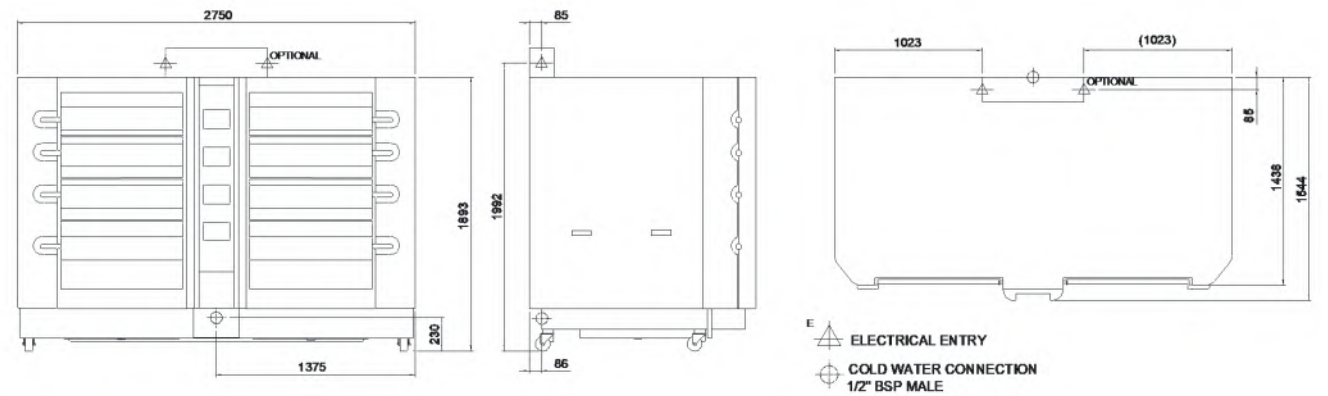
ROTEL R33D3S - From Ser No. 1833685



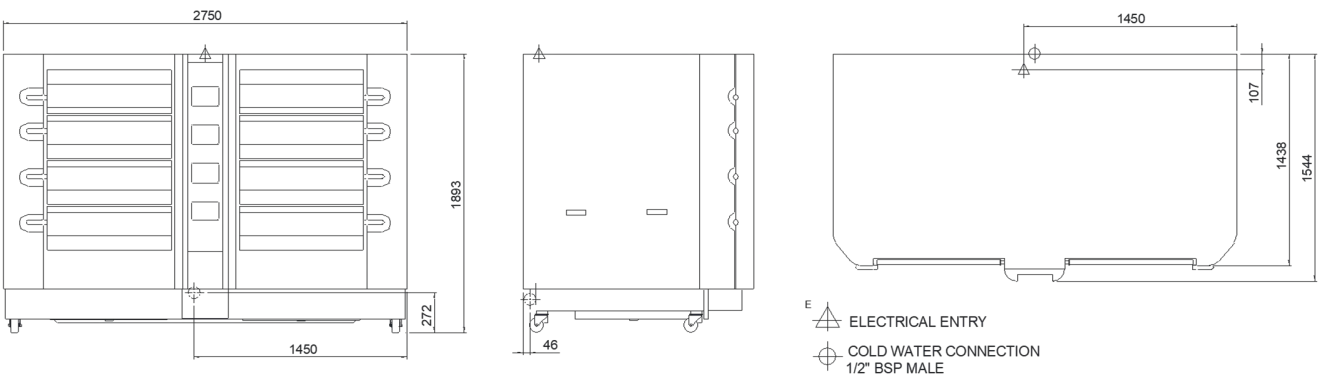
ROTEL R34D1S - From Ser No. 1833685



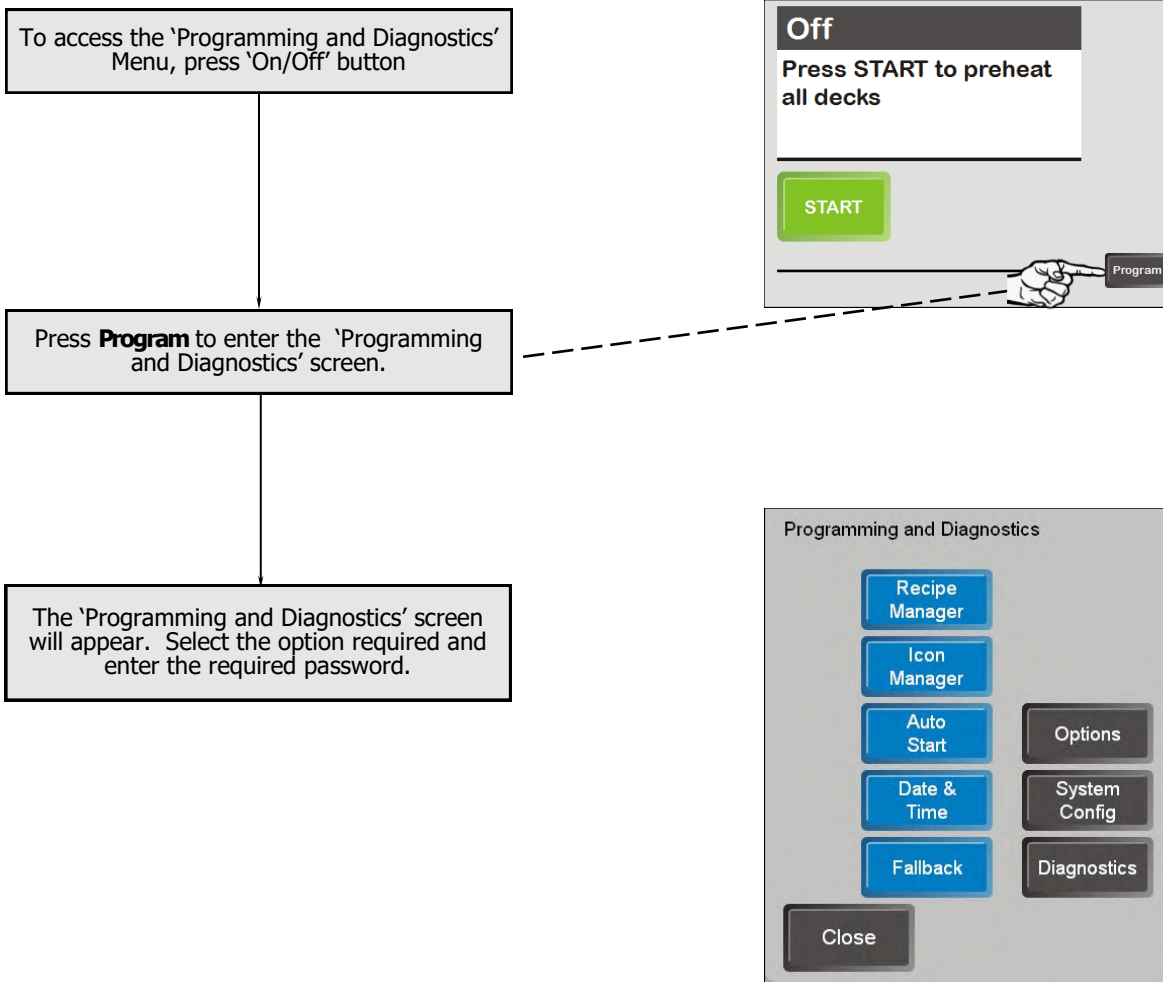
ROTEL CAR34D1S - From Ser No. 1833685



ROTEL R34DHC - From Ser No. 1833685



For detailed instructions on how to use this oven, please refer to the Operating Manual supplied with your Rotel 3 Oven.



NOTE: For further information on the Programming and Diagnostics options, refer to Section 5 - 'Programming and Diagnostics', in this manual.

OPERATOR AND MANAGER USE:

Recipe Manager:- (Password Controlled 1234)
For adding, editing and deleting recipes / programmes.

Icon Manager:- (Password Controlled 1234)
For adding, editing and deleting Icons used in the recipes.

Auto Start:- This function allows the pre-heating of the oven prior to commencing baking. Can be programmed for a 7 day cycle, with 1 start time per day.

Date & Time:- The actual time and date can be set for the oven.

Fallback:- Allows additional decks to be controlled from an adjacent controller, in the event of a controller failing.

SERVICE USE ONLY:

Options:- (Password Controlled 3100)
Allows certain settings for the oven, to be pre-set.

System Config:- (Password Controlled 4500)
Used to set system configuration parameters.

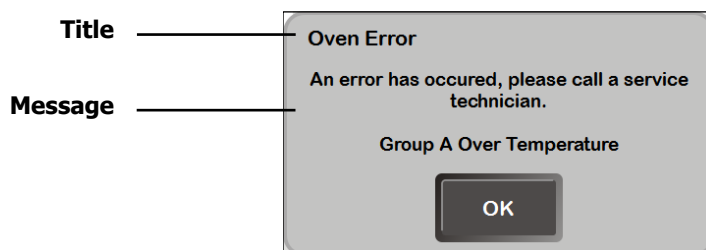
Diagnostics - (Password Controlled 4600)
Used to diagnose oven systems faults.

3 Controller Messages & Errors

When the display screen shows a message or error code it will be displayed with a **'Title'** and beneath will be displayed the **'Message'**.

These Messages may relate to things that the operator can alter, such as wrong parameters entered during programming a recipe. Or they could relate to problems that require a service technician to resolve. The table below will show a list of possible 'Messages' and 'Cause / Remedy' to resolve the problem.

For example:



Title	Message	Buttons	Causes	Notes
Touchscreen Error	A problem has occurred with the touchscreen. Please contact a service technician.		Cannot communicate with the touchscreen	
Deck Too Hot	The deck is currently too hot for recipe you have selected. Please wait for deck too cool before you start baking.	OK	deck temperature > recipe temperature + max_overtemp.	Max_overtemp is a configurable setting (default 30°C).
Deck Is Too Hot	The Deck is too hot for product you wish to bake. Do you want to force deck to bake anyway?	Yes/No	User has pressed "Force Bake" after receiving the message above	If user clicks yes, bake will start and a message will be logged.
Shutdown	Hold Stop button for 3 seconds to shut down a deck.	OK	Stop button was pressed while deck is in Ready state	
Password Failed	Password you entered was not correct.	OK	Incorrect password entered when trying to enter a password protected area.	Password failures are logged.
Password Reset	The Program password has been reset.	OK	User has held backspace key on password screen when entering Program Menu.	The password is cleared.
Password Reset	The Recipe Manager password has been reset to 1234.	OK	User has held backspace key on password screen when entering Recipe Manager.	The password is set to 1234 .
Oven Fault	One of oven's power supplies has failed. Please contact a service technician.	OK		Distribution board notifies topmost controller of this error, and it will display this message.
Idle Temperature	This recipe requires [low temp or regular] preheat. To change preheat mode, hold Start from the Off state.	OK	Recipe requires low temp preheat and deck is in regular idle mode, or vice-versa.	
Preheat	Cannot start [low temp or regular] preheat, another deck is busy.	OK	User has tried to enter a preheat mode which conflicts with another deck which is still baking.	
Recipe Temperature	This recipe cannot be selected because the baking temperature is too high.	OK	recipe temperature > max_recipe_temperature	max_recipe_temperature is a configurable setting (default 240°C).
Tall Deck	This recipe cannot be selected because it must be baked in a tall deck.	OK	Deck is not a tall deck, and selected recipe must be baked in a tall deck.	
Split Deck	This recipe cannot be baked in a split deck, because it requires uneven heat.	Yes/No	The selected recipe requires heat balancing, and the deck is a split deck.	User can press Yes and will be allowed to "Force Bake". If they continue, the event will be logged.
Stop Baking	The program has X minutes to go. Are you sure you would like to stop now?	Yes/No	User has pressed Stop while baking.	
Recipe ID	The Recipe ID must be a number greater than zero.	OK	Trying to save a recipe with a recipe ID < 0.	
Recipe ID	The Recipe ID you entered already exists.	OK	Trying to save a NEW recipe with a recipe ID which already exists.	

Title	Message	Buttons	Causes	Notes
Bake Time	The baking time is not valid, the maximum baking time is X minutes.	OK	Trying to save a recipe with bake time > MaxBakingTime.	Max Baking Time is a configurable setting.
Bake Temperature	The baking temperature is not valid, the maximum baking temperature is X°C.	OK	Trying to save a recipe with temperature > MaxRecipeTemp.	Max Recipe Temp is a configurable setting.
Heat Balance	The heat balance is not valid, it must be between -100 and 100.	OK		
Custom Preheat	The preheat temperature is not valid, the maximum baking temperature is X°C.	OK	Trying to save a recipe with custom preheat > MaxRecipeTemp for regular idle, or custom preheat > IdleTemp for low idle recipe.	Max Recipe Temp default is 240. Idle Temp default is 170.
Delete Recipe	Are you sure you would like to delete this recipe?	Yes/No	Press 'Delete Recipe', which is displayed for single-stage recipes or the first stage of a multi-stage recipe. Entire recipe will be deleted.	
Delete Stage	Are you sure you want to delete this recipe stage?	Yes/No	Pressed 'Delete Stage', which is displayed for recipe stages which are not the first stage in a multi-stage recipe. Only this stage will be deleted.	
Synchronising X	An attempt to synchronise the X file has failed.	Close		
	Transmitting File... X%		Normal messages displayed while a controller transmits it's file to other controllers as part of a synchronisation.	Setting the file contents to other controllers.
	Synchronising...			Waiting for other controllers to respond.
	Synchronisation complete.			File is synchronised for all controllers.
	Receiving File... X%		Normal messages displayed while a controller is receiving a file from another controller as part of a synchronisation.	Receiving contents of file.
	Verifying File...			Verifying file was received correctly.
	Synchronisation failed, file was not valid.			File failed verification.
	Comparing file...			Comparing the received file to the local file.
	Synchronising...			Waiting for a result of the synchronisation.
File Synchronisation	An attempt to synchronise a file was unsuccessful. The file must be the same for all Controllers, please select the Controller from which the file should be copied.	1, 2, ...	If more than half of the controllers in the oven do not share the exact same version of a file, user must select which controller shall copy it's version of the file to all other controllers in the oven.	
Communications Problem	Buzzer may not work, check screen for bake completion.	OK	The microcontroller has not received communications from the distribution board for too long (10 seconds in 1.2.2)	
Firmware Update	Would you like to install FW x.x.x now?	Yes/No	New software has been installed which includes an update to the microcontroller firmware. The message will be displayed after start-up until the update is done.	
SD Card	Save to remove now.	OK		
Export	Copying files..		The log, recipe and settings files are being copied to the SD card.	Do not remove SD card at this stage.
Send Update	Send update to all Controllers?	Yes/No	An update has been selected for installation, file size is less than 100kB, so it can be sent to all Controllers to update simultaneously.	
Update	Copying... Do not remove the SD card.		A system update is being copied from SD card	

3 Controller Messages & Errors

Title	Message	Buttons	Causes	Notes
Temperature Probe Error	Deck X has failed. Please call a service technician.		Various errors will generate this message, where X is a number indicating error type.	
P1	Diagnostic A Over-range.		Usually open-circuit sensor input, i.e. broken/disconnected thermocouple.	
P2	Diagnostic B Over-range.		Applies to RTD's only, indicates open-circuit on one of the low side wires.	
P3	Sensor Over-range.		Sensor input is too high.	
P4	Sensor Under-range.		Applies to RTD's only, indicates short circuit.	
P5	Diagnostic C Under-range		Thermocouple is being pulled to low voltage (ground) externally.	Check for thermocouple coming into contact with any metal surface, at the tip or where insulation might be compromised.
P6	Diagnostic C Over-range.		Thermocouple is being pulled to high voltage externally.	Check for thermocouple coming into contact with any metal surface, at the tip or where insulation might be compromised.
P9	Timeout.		Application software has not received a probe temperature update for too long (7 seconds in 1.2.2).	This error is likely to resolve itself, affected deck will return to Off state. If deck persists "Error - P9", try turning off the oven.
P10	Over Temperature.		The probe has measured a temperature greater than MaxRecipeTemp + Max Overtemp.	MaxRecipeTemp and MaxOvertemp are configurable settings (240 and 30 by default).
Oven Error	An error has occurred, please call a service technician.		Various oven-wide faults.	
S1	Reference Minor Error.		Thermocouple: cold-junction RTD and thermistor error > 2.5 °C. RTD: ADC reference circuit measurement had an error of > 0.1%.	This error does not display a message, though it does get logged.
S2	Reference Major Error.		Thermocouple: cold-junction RTD and thermistor error > 5 °C. RTD: ADC reference circuit measurement had an error of > 1%.	All decks on this controller will be switched 'Off' and cannot be used.
S3	Onboard Temperature Warning.		Controller board temperature > System Temp Warning.	User is alerted but can continue using decks. System Temp Warning is a configurable setting (default 60°C).
S4	High Onboard Temperature.		Controller board temperature > System Temp Shutdown.	Controller will go dim and be unusable. System Temp Shutdown is a configurable setting (default 80°C).
S5	Group A Over Temperature.		Distribution board has detected overtemp input 'A'.	Any group A decks will be unusable.
S6	Group B Over Temperature.		Distribution board has detected overtemp input 'B'.	Any group B decks will be unusable.

4.1 Access

4.1.1	Control Panel (Single Oven)	12
4.1.2	Control Panel (Double Oven)	12

4.2 Electrical Components

4.2.1	Gear Tray.....	13
4.2.2	Controller	13
4.2.3	Distribution Board.....	14
4.2.4	On / Off Button / LED Assembly	14
4.2.5	Thermocouple	14
4.2.6	Buzzer	14
4.2.7	Lighting Transformer	15
4.2.8	Heating Contactor.....	15
4.2.9	Power Supply PCB	15
4.2.10	Oven Lamp	16
4.2.11A	Water Solenoid – Up To Ser No. 1833684	16
4.2.11B	Water Solenoid - From Ser No. 1833685	16

4.3 Drive Assembly / Turntables / Elements

4.3.1	Turntable Split Carbon Bearing	17
4.3.2	Drive Motor	17
4.3.3	Drive Shaft Lower Bearing Assembly	18
4.3.4	Drive Shaft Upper Bearing Assembly	18
4.3.5	Element Replacement	18

4.4 Door Components

4.4.1	Door Glass	19
4.4.2	Door Seal	19
4.4.3	Door Spring Assembly	19
4.4.4	Door Hinge / Spring Arm Assembly	20

4 Parts Replacement

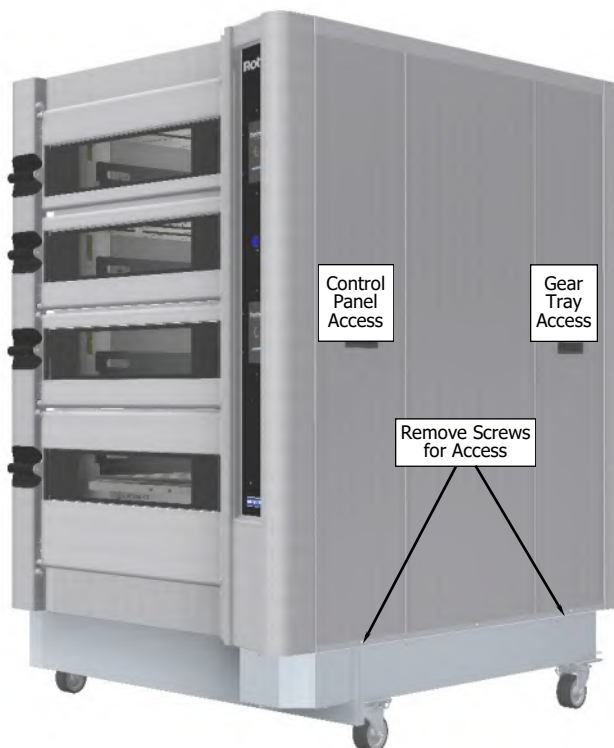
4.1 Access

4.1.1 Control Panel (Single Oven)

1. Remove the screw at the bottom of the front small right hand access panel, lift and remove panel from the bottom channel.
2. Undo the buzzer securing ring on the controller cover then remove the controller cover to gain access to the rear of the control panel.
3. Re-assemble in the reverse order.

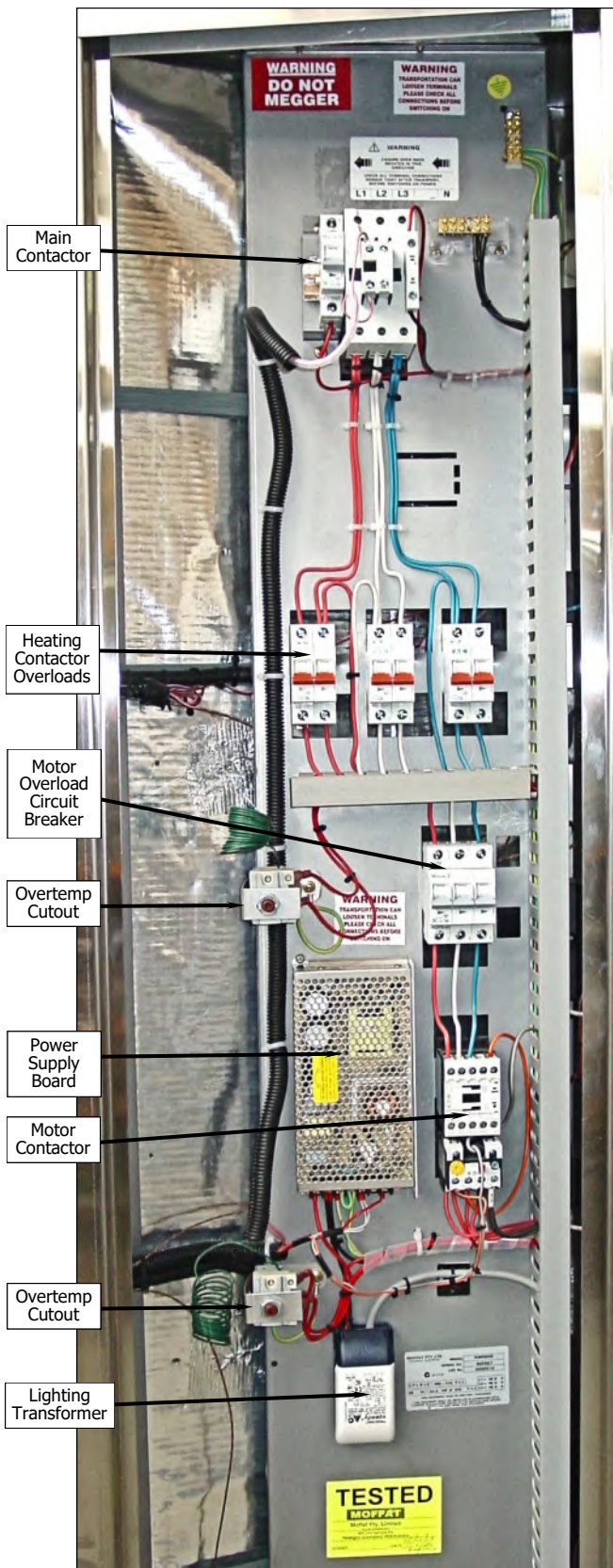
4.1.2 Control Panel (Double Oven)

1. Remove the screws along the right hand edge of the front central control panel.
2. The control panel should now hinge open along its left hand side allowing access to the rear of the control area, electrical gear plate, hinges and water solenoids.



4.2 Replacement - Electrical Components

4.2.1 Gear Tray Single Oven



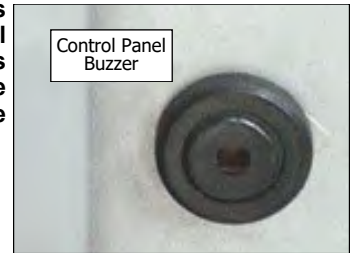
4.2.2 Controller

Single Oven:

1. Remove the side access panel on RH side of oven (Refer 4.1.1).
2. Remove the securing ring attaching the buzzer to the controller panel rear cover.

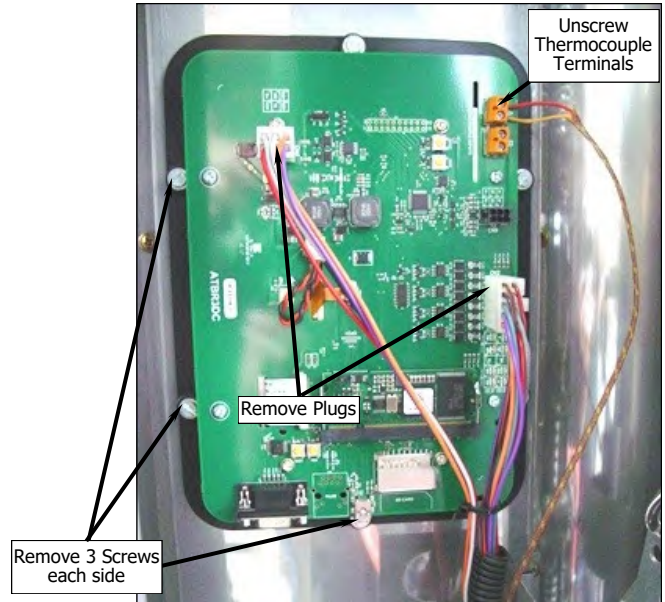
NOTE:

Ensure that buzzer is removed from rear panel before rear panel is removed, otherwise buzzer / cable will be damaged.



1. Remove the cover on the rear of the control panel.
2. Disconnect the two plugs from the controller.
3. Unscrew connections and remove thermocouple wires from controller.
4. Remove 6 screws fixing controller to front cover.
5. Replace with new controller and re-assemble in reverse order.

Double Oven:

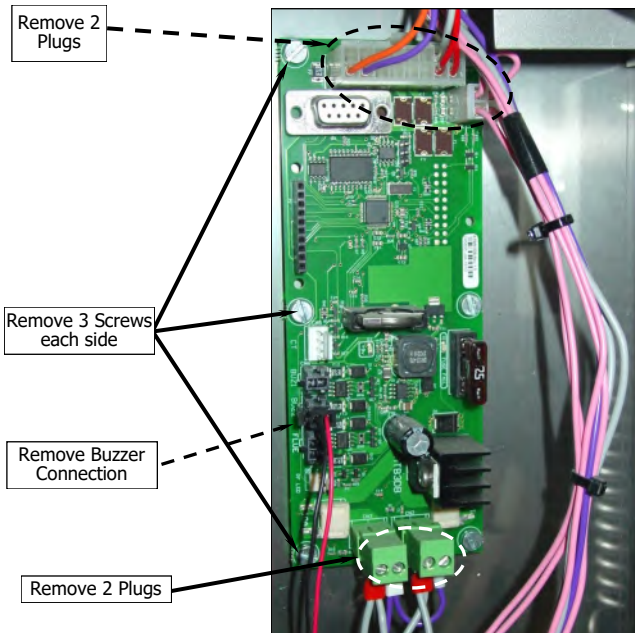


1. Gain access to rear of control panel (refer section 4.1.2).
2. Follow Steps 1 to 4 above (refer section 4.2.1).

4 Parts Replacement

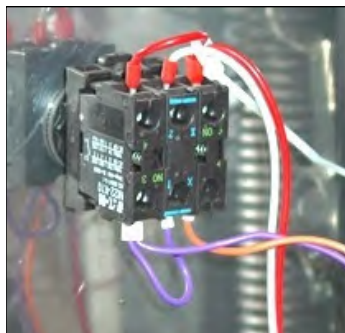
4.2.3 Distribution Board

1. Remove the control panel access panel on RH side of oven (Refer 4.1.1).
2. Remove the securing ring attaching the buzzer to the controller panel rear cover. (Refer 4.2.1).
3. Disconnect the 5 plugs to the distribution board.
4. Remove the 6 screws fixing the distribution board to the front cover.
5. Replace with new distribution board and re-assemble in reverse order.



4.2.4 On / Off Button, LED Assembly

1. Remove the control panel access panel on RH side of oven (Refer 4.1.1).
2. Remove the wires from rear of the On / Off switch noting their positions.
3. Remove the contact block and LED assembly.
4. Replace parts as required and re-assemble.



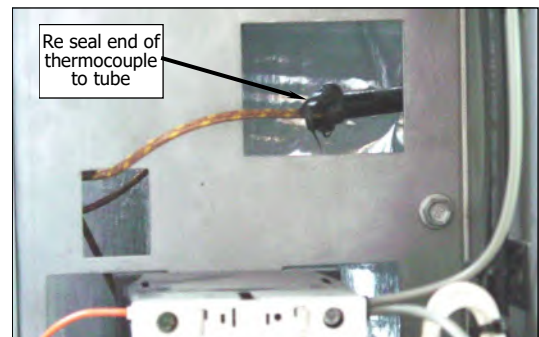
4.2.5 Thermocouple

Single Oven:

1. Remove the control panel access panel on RH side of oven (Refer 4.1.1).
2. Disconnect the thermocouple wires from the controller (refer section 4.2.2).
3. Remove the right hand and rear access panels.
4. At the rear of the oven, prise out the silicone sealing the thermocouple into the tube at the right hand rear of the oven and remove the thermocouple.
5. Cut the supporting tie wraps forward to the controller.
6. Replace the thermocouple ensuring the tip of thermocouple extends into oven cavity approx 25mm past the end of the tube.
7. Re-seal the end of the tube with a high temp silicone.

Double Oven:

1. Remove the control panel access panel on RH side of



- oven (Refer 4.1.1).
2. Disconnect the thermocouple wires from the controller.
3. Remove the centre rear panel.
4. Replace thermocouple (refer to Steps 2 to 7 in Section 4.2.3).

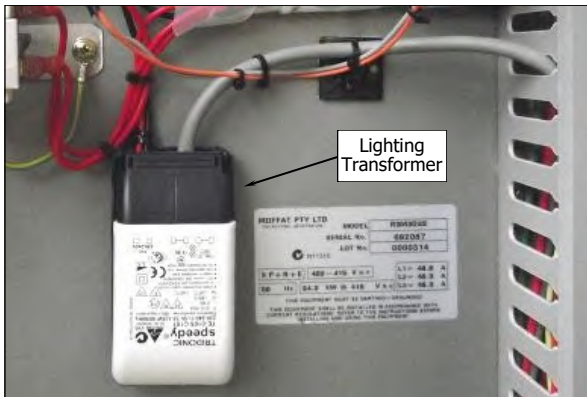
4.2.6 Buzzer

1. Remove the control panel access panel on RH side of oven (Refer 4.1.1).
2. Remove buzzer and controller panel rear cover (refer 4.2.2).
3. Disconnect buzzer plug from distribution board (refer to Section 4.2.3).
4. Replace the buzzer and re-assemble in reverse order.



4.2.7 Lighting Transformer

1. Remove the side access panels on RH side of oven (Refer 4.1.1 and 4.1.2).
2. Remove the 2 covers from lighting transformer.
3. Disconnect the wires from transformer.
4. Undo 2 screws securing transformer to mounting bracket and remove transformer.
5. Connect wires to new transformer and secure transformer to mounting bracket with 2 screws.
6. Re-assemble in reverse order.



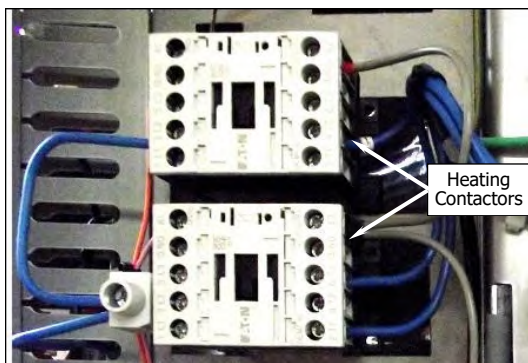
4.2.8 Heating Contactor

Single Oven

1. Gain access to the heating contactors at the rear of the oven by removing rear access panel.
2. Remove wires from faulty heating contactor, noting position of wires.
3. Remove contactor from gear plate.
4. Replace with new contactor and re-assemble in reverse order.

Double Oven

1. Gain access to gear plate behind central control panel (refer section 4.1.2).
2. Refer to Steps 2–4 as described above, to replace the contactors.



4.2.9 Power Supply PCB

Single Oven

1. Gain access to the gear plate at the rear of right hand side of the oven (refer section 4.1.1).
2. Remove wires from power supply PCB terminals noting their positions.
3. Remove 2 screws securing power supply PCB to gear plate and remove PCB.
4. Reconnect the wires to the new Power Supply PCB and secure to the gear plate with 2 screws.



5. Re-assemble in reverse order.

Double Oven

1. Gain access to the gear plate behind the central control panel (refer section 4.1.2).
2. Refer to Steps 2 to 4 as described above to replace the power supply PCB.

4 Parts Replacement

4.2.10 Oven Lamp

Single Oven

1. Remove the left hand side panel by removing the fixing screws at the bottom of panel and lifting the panel out of the bottom channel.
2. Remove the lamp from the lamp holder.
3. Remove plug from rear of oven lamp.
4. Replace with new lamp and re-assemble in reverse order.

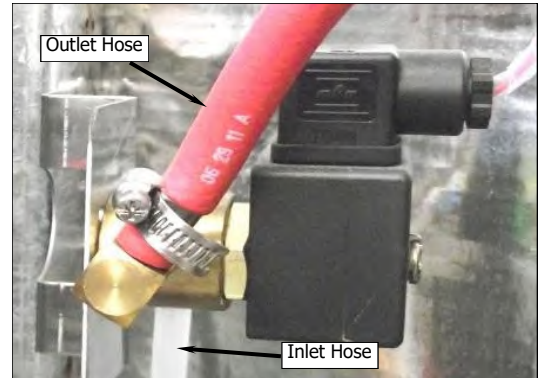
Double Oven

1. Remove the relevant side panel (left hand side for left hand oven, right hand side for right hand oven) as described in Step 1 above.
2. Remove the lamp from the lamp holder.
3. Remove plug from rear of oven lamp.
4. Replace with new lamp and re-assemble in reverse order.



4.2.11A Water Solenoid (Up to Serial Number: 1833684)

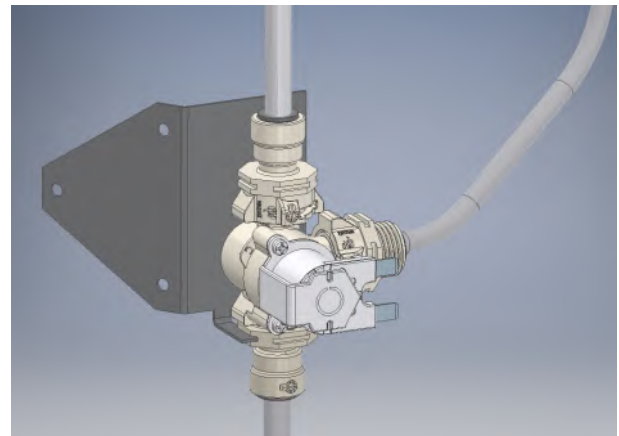
1. Ensure water is turned 'Off' at water mains supply to the oven.
2. Remove side panels (refer section 4.1.1, 4.1.2).
3. Disconnect coil from solenoid body.



4. Undo hose clips securing water inlet and outlet hoses to the valve.
5. Unscrew solenoid from its mounting bracket.
6. Fit new solenoid valve and re-assemble in reverse order.

4.2.11B Water Solenoid (From Serial Number: 1833685)

1. Ensure water is turned 'Off' at water mains supply to the oven.
2. Remove side panels on single ovens, or open control panel on double ovens (refer section 4.1.1, 4.1.2).
3. Disconnect power from the solenoid.

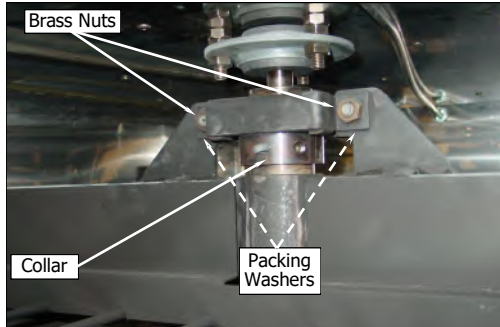


4. Disconnect water inlet and outlet hoses to the valve. (Depress clip to release tube.)
5. Unscrew solenoid from its mounting bracket.
6. Disconnect inlet and outlet universal fittings by twisting 90° anticlockwise. (This can require a spanner.)
7. Re-assemble in reverse order to fit the new solenoid valve.

4.3 Drive Assembly / Turntables / Elements

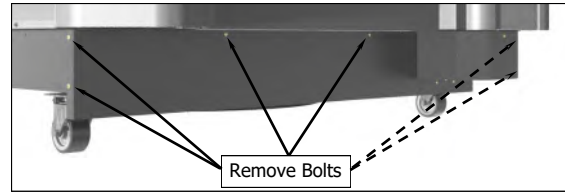
4.3.1 Turntable Split Carbon Bearing

1. From inside the deck compartment, lift the carousel / turntable assembly (approx 10mm) to take the weight off the collar that sits below the split carbon bearing and support the carousel with blocks.
2. Remove the two brass nuts to dismantle the split carbon bearing, taking note of the quantity of spacer washers fitted per side.
3. Replace the split carbon bearing.



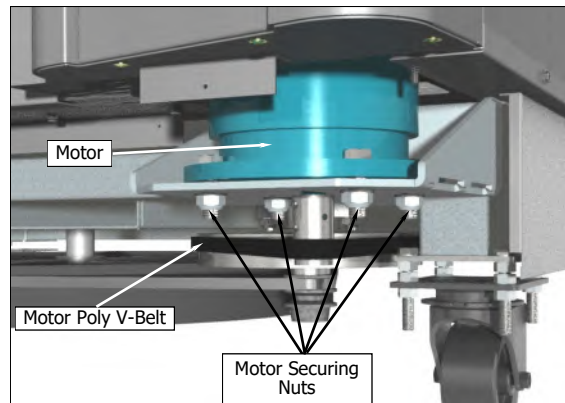
4. When re-fitting the spacer washers, ensure there is a minimum of clearance between the bearing surface and the shaft, enough to allow the carousel to spin freely without binding.
5. Re-assemble in reverse order.

4.3.2 Drive Motor



Single Oven.

1. Remove the side access panel on the RH side of oven (Refer 4.1.1).
2. Remove 6 bolts in the cover mounted under the front skirt on the bottom right hand corner of the oven.



3. Slacken and remove the 4, motor retaining bolts / nuts securing the motor to its mounting plate.
4. Remove the poly v belt from the motor pulley.
5. Disconnect the wiring from the motor.
6. Lift out and remove the motor from the oven.
7. Remove the pulley and woodruff key from the old motor and fit to the replacement motor.
8. Fit the new motor back into the oven and re-assemble the in reverse order.
9. Ensure the belt tension is set correctly by adjusting the motor on its mounting plate, to allow approx 15mm deflection on the outside of the belt between the motor and the aluminium pulleys.

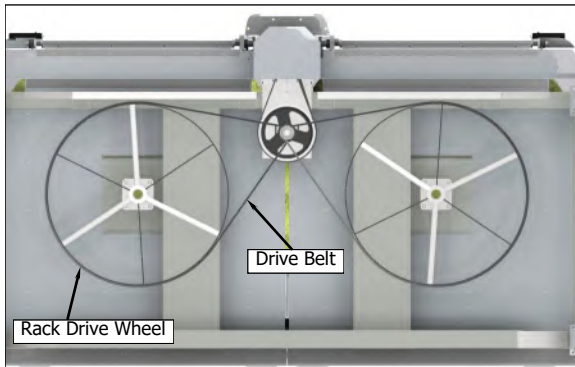
Double Oven.

1. Remove the bottom front skirt underneath the control area that covers the drive assembly.
2. Remove the control access panel on the RH side of oven (Refer 4.1.2) to gain access to the central control panel and motor mount area (refer Section 4.1.2).
3. Follow the Steps 2 to 9 as described above for single oven.

4 Parts Replacement

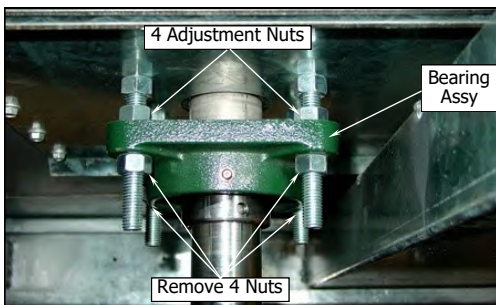
4.3.3 Drive Shaft Lower Bearing

1. Remove front skirt from around base of oven covering access to drive assembly.
2. From beneath oven, remove drive belt.



View from underneath oven - Twin oven shown

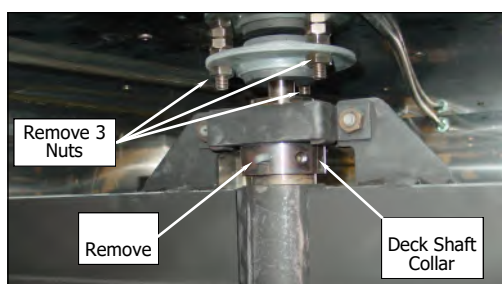
3. Undo two bolts securing the large rack drive wheel to the shaft and remove the drive wheel.
4. Remove the four nuts securing the bearing assembly, taking note of the position of the adjustment nuts above on the threaded posts.
5. Remove the bearing assembly off the shaft.
6. Replace with new bearing assembly and re-assemble in



reverse order.

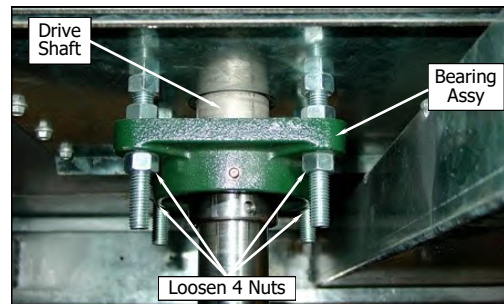
4.3.4 Drive Shaft Top Bearing

1. Repeat steps 1 and 2 above.
2. Remove and discard the split pins in all deck shaft collars to allow the drive shaft to be lowered enough to remove the top bearing.
3. Remove the 3 nuts fixing the top bearing and housing to the ceiling of the oven.
4. Loosen the four nuts (**but do not remove**) securing



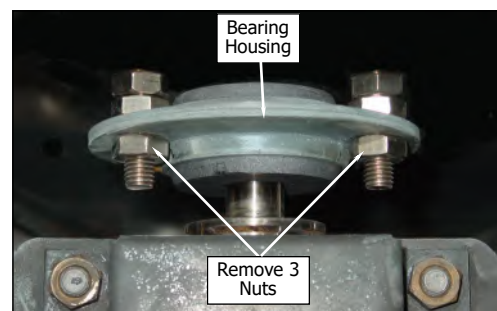
the lower bearing assembly which will allow the shaft to move down far enough to allow the top bearing to be removed.

5. Split the top bearing housing and replace the parts



required.

6. Re-assemble in the reverse order ensuring all shaft

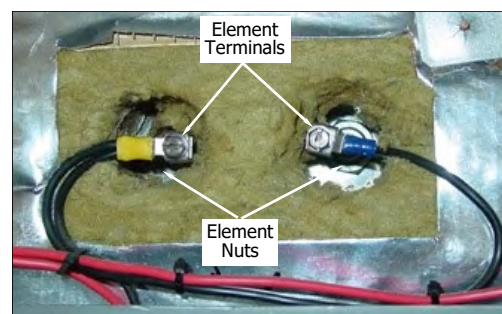


collars have new split pins inserted.

NOTE: Supporting the shaft and weight of carousel from underneath, when re-assembling, will greatly ease assembly of collars, split pins and bearing assembly.

4.3.5 Element Replacement

1. Remove the two screws securing the rear panel and remove to gain access to the element terminals.
2. From rear of oven, disconnect wiring from faulty element terminals and unscrew nuts securing element to oven wall using a 22mm tube spanner.
3. Unfasten the element from the front of the oven.
4. **Top Elements:** Remove the securing tabs.

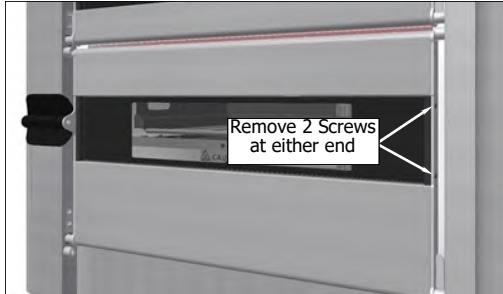


5. **Middle Elements:** (split decks) undo the brass nut, remove the rack wire and withdraw the element.
6. **Bottom Elements:** Undo brass nuts from steam pipe cover, remove rack wire and withdraw the element.
7. Fit new element and re-assemble in reverse order.

4.4 Door Components

4.4.1 Door Glass

1. Open the oven door.
2. Remove two screws securing door glass clamps to the door frame. Remove door glass clamps.



3. Remove the glass and rubber glass seal. Scrape off any excess sealant that may be on the door.
4. Check the glass seal for damage and wear. Replace if required.
5. Fit the door glass seal into the glass aperture.
6. Replace with a new door glass and re-assemble in reverse order.

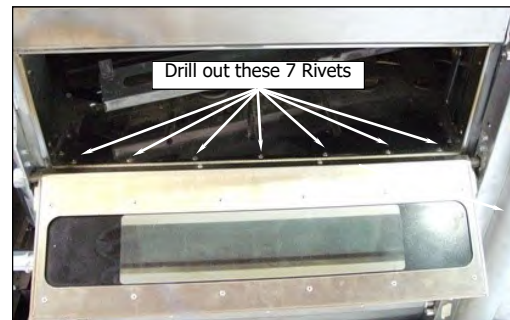
NOTE: It is recommended that the door glass seal is replaced at the same time as the door glass.

7. Apply a bead of Silastic 732 Sealant (or similar) to each end of the door glass to seal any gap in area shown opposite.



4.4.2 Door Seal

1. Open the oven door
2. Drill out the seven rivets fixing the fibreglass seal to the oven opening.
3. Pull out and remove the door seal / rod assembly.
4. Replace the door seal / rod assembly by tucking it underneath the hold down flap.
5. Secure in place with seven rivets.



4.4.3 Door Spring Assembly

Single Oven

1. Remove the right hand side panel (refer Section 4.1.1).
2. Remove the broken door spring.
3. With the door in the closed position, loosen off the turnbuckle completely to allow the new spring to be fitted.
4. Connect the new spring to the top eyebolt then using a large screwdriver or similar, lever spring down to connect it to the turnbuckle.
5. Adjust the turnbuckle to allow the door to close with suitable tension.

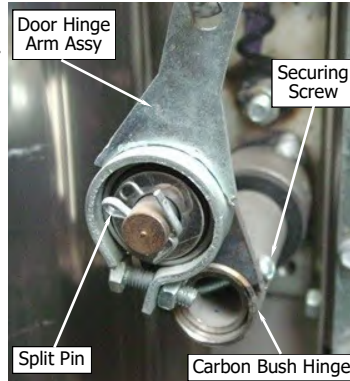
Double Oven

1. To gain access to the door springs, the central control panel must be opened (refer Section 4-1 and 4-2).
2. Repeat Steps 2 to 5 above, to replace door spring.

4 Parts Replacement

4.4.4 Door Hinge / Spring Arm Assembly

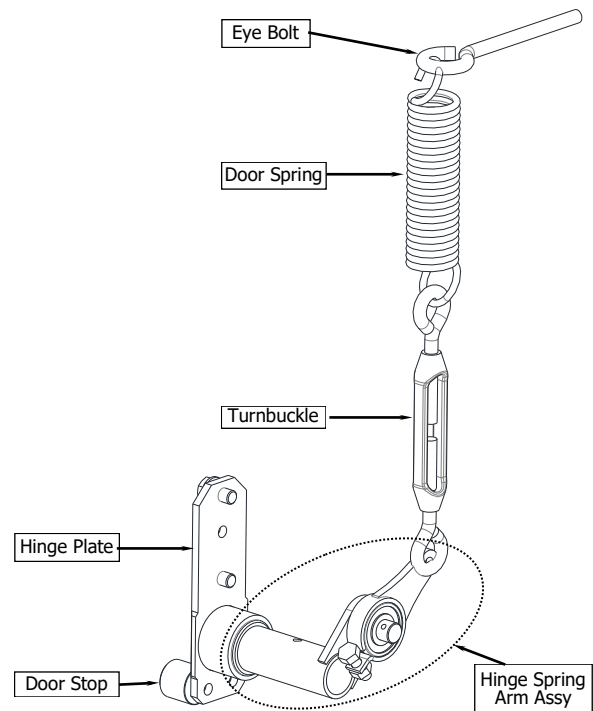
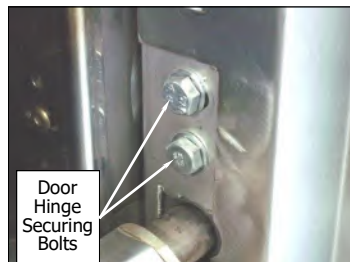
1. Remove the left hand side panel (refer Section 4.1.1).
2. Slacken off the Turnbuckle until the door spring can be removed.
3. Remove the split pin securing the Door Hinge Arm assembly and remove door hinge arm assembly. **Note position of spacer washers.**
4. Remove screw and nut securing carbon bush hinge to the door pivot shaft.
5. From the front of the oven, remove allen head screw and door stop.



6. From the front of the oven, open the oven door and remove two bolts securing door hinge spring arm assembly to main frame.



7. Replace Carbon Bush Hinge assembly complete or the Door Hinge Arm assembly as required. **(Replacement Bearing (6201 2RS) for Spring Arm assembly).**
8. Re-assemble in reverse order.



To access the Controller Programming and Diagnostics screens, carry out the following:-

1. Press Blue **On / Off** button on control panel to start oven and power up the controllers.
2. Select **Program** key on one of the control panels.

The following options will appear on the screen. The Blue Option Keys are for use by the Operator and Manager and the options are as follows:-



NOTE: Refer to the Operation Manual for further information on these Options.

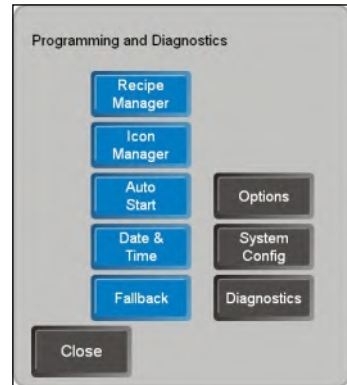
Recipe Manager:- (Password Controlled 1234)
For adding, editing and deleting recipes / programmes.

Icon Manager:- (Password Controlled 1234)
For adding, editing and deleting Icons used in the recipes.

Auto Start:- (If turned ON) allows pre-heating of oven prior to commencing baking. Can be programmed for a 7 day cycle, with 1 start time per day. (Also refer 5.2.3).

Date & Time:- The actual time and date can be set for the oven.

Fallback:- Allows additional decks to be controlled from an adjacent controller, in the event of a controller failing.



The Black Options Keys are normally only used for access by Service Personnel and are used to carry out the following:-

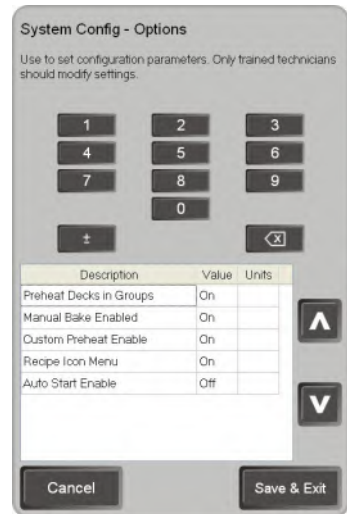
5.1 Options

To access **Options** enter the password **"3100"**.

Where a value is either 'On' or 'Off', select the value shown and an 'On/Off Options' screen will display. Select the option required.

The following oven settings can be turned On / Off:-

- Preheat Decks in Groups, On / Off.
- Manual Bake Enabled, On / Off.
- Custom Preheat Enable, On / Off.
- Recipe Icon Menu, On / Off.
- Auto Start, On / Off.

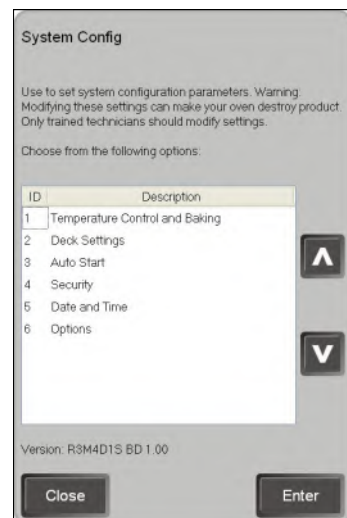


5.2 System Config

To access 'System Config' enter the password **'4500'**.

For configuring oven controller settings and parameters:-

- **Temperature Control and Baking**, for setting deck control parameters. (Refer 5.2.1).
- **Deck Settings**, for the calibration of deck temperature and heat balance. (Refer 5.2.2).
- **Auto Start**, (As shown above for 'Auto Start').
- **Security**, for setting / changing Recipe and Program passwords. (Refer 5.2.4).
- **Date and Time**, actual time and date can be set for oven controllers. (Refer 5.2.5).
- **Options**, Allows certain settings for the oven, to be pre-set.. (Refer 5.2.6).



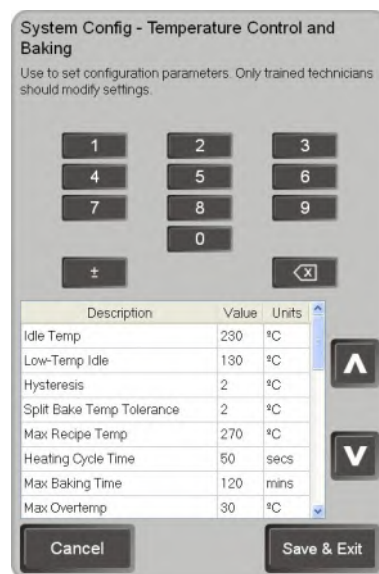
5 Programming and Diagnostics

5.2.1 System Config - Temperature Control and Baking

To change a value press in the 'Value' cell and use the keypad to delete and enter the new value.

Where a value is either 'On' or 'Off', select the value shown and an 'On/Off Options' screen will display. Select the option required.

These settings apply to all decks. After pressing 'Save and Exit' these settings will automatically synchronise across all controllers.



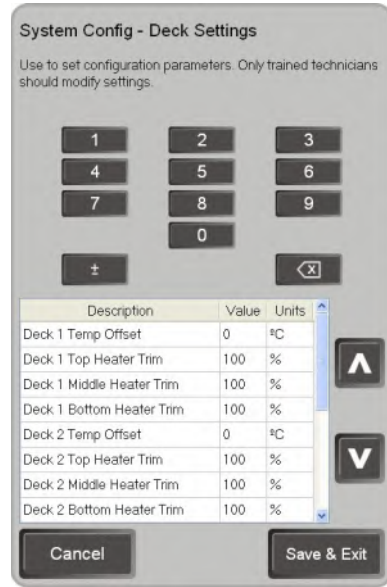
Description	Explanation	Factory Default	Allowable Range	Units
Idle Temp	Idle temperature when in Normal Mode.	170	0 - 250	°C
Low-Temp Idle	Idle temp when in Low-Temp Baking Mode.	120	0 - 200	°C
Hysteresis	Allowable temperature drop from set temp before heaters turn back 'On'.	2	0 - 10	°C
Split Bake Temp Tolerance		2	0 - 15	°C
Max Recipe Temp	Maximum allowable programmable recipe temperature.	240	0 - 280	°C
Heating Cycle Time		50	0 - 256	secs
Max Baking Time	Maximum allowable programmable recipe baking time.	120	0 - 256	mins
Max Overtemp	Maximum allowable actual oven temperature above the recipe set temperature that the recipe can be started.	30	0 - 128	°C
Max Idle Undertemp	During Idle Mode if temperature in deck drops by the 'Max Idle Undertemp' setting for the 'Idle Undertemp Grace Period' (refer below) then a recipe cannot be started until deck has reheated to Idle Temp.	15	0 - 128	°C
Idle Undertemp Grace Period	Refer above.	5	0 - 32	mins
Baking Transition Margin		5	0 - 32	°C
Baking Transition Percent		85	0 - 100	%
Steam Number of Pulses	Number of pulses of the water solenoid in a recipe that calls for steam.	3	0 - 8	
Steam Pulse - Standard	Time of each pulse of water.	1	0.1 - 2.0	secs
Steam Pulse - Split Deck	Time of each pulse of water.	1.2	0.1 - 2.0	secs
Steam Time Between Pulses	Time between water solenoid pulses.	5	0 - 32	secs
Steam Mask Top & Middle Heaters	Time that top and middle heaters are turned Off following a steam.	6	0 - 16	mins
Active Diagnostics Output Time	In Diagnostics Mode this is the time after which the forced outputs will self-cancel if left On.	5	0 - 128	mins
Preheat Decks in Groups	IF YES then all decks will turn On (idle) when one deck is turned On.	ON	ON / OFF	
Manual Bake Enabled	IF YES manual bake function can be used.	ON	ON / OFF	
End of Bake Heater Mask		3	0 - 10	mins
Custom Preheat Enable		OFF	ON / OFF	
Recipe Icon Menu		ON	ON / OFF	
Auto Start Enable		OFF	ON / OFF	

5.2.2. System Config - Deck Settings

To change a value press in the 'Value' cell and use the keypad to delete and enter the new value.

After pressing 'Save and Exit', these settings will automatically synchronise across all controllers.

Each deck can be individually configured. Deck 1 refers to the top deck, Deck 2 the second deck down etc.



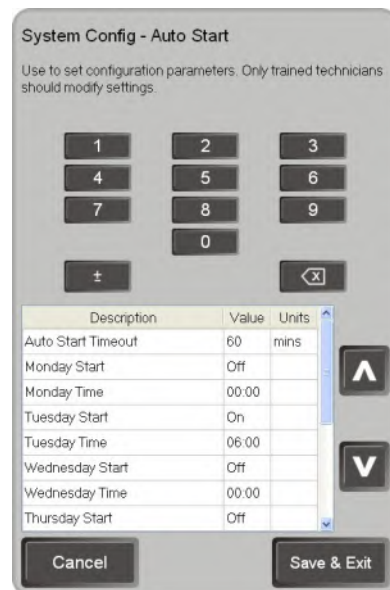
Description	Explanation	Factory Default			Allowable Range	Units
		Standard	Split	High Crown		
Temp Offset	Applies an offset to the read temperature of the deck.	0	0	0	-8 to +8	°C
Top Heater Trim	% of time the top heater is ON when controller is calling for heat.	60	50	60	0 - 100	%
Middle Heater Trim	% of time the middle heater is ON when controller is calling for heat.	100	90	100	0 - 100	%
Bottom Heater Trim	% of time the bottom heater is ON when controller is calling for heat.	100	100	100	0 - 100	%

5.2.3. System Config - Auto Start

To change a value press in the 'Value' cell and use the keypad to delete and enter the new value.

If turned ON, allows pre-heating of the oven decks prior to commencing baking. Can be programmed for a 7 day cycle, with 1 start time per day.

After pressing 'Save and Exit', these settings will automatically synchronise across all controllers.



5 Programming and Diagnostics

5.2.4 System Config - Security

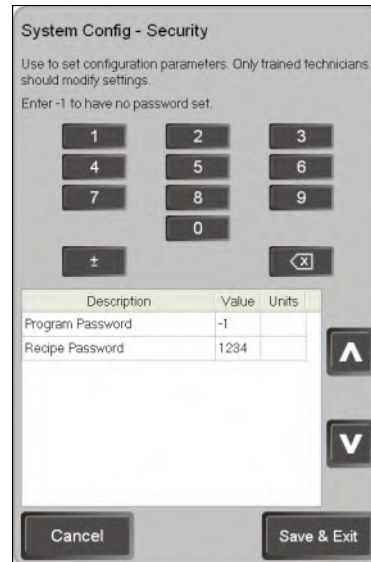
Enter the desired password into the 'Value' field. If the password is set to '-1' then no password will be required to access this function.

To change a value press in the 'Value' cell and use the keypad to delete old and enter new value.

These settings apply to all decks. After pressing 'Save and Exit', these settings will synchronise across all controllers automatically.

Program Password: This is the password required to access and run programmed recipes.

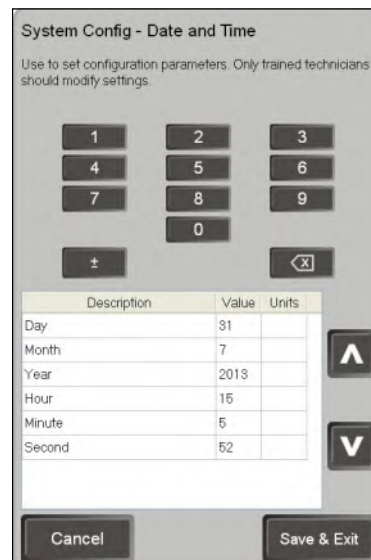
Recipe Password: This is the password required to edit programmed recipes.



5.2.5 System Config - Date and Time

To change a value press in the 'Value' cell and use the keypad to delete and enter the new value.

These settings apply to all decks. After pressing 'Save and Exit', these settings will synchronise automatically across all controllers.

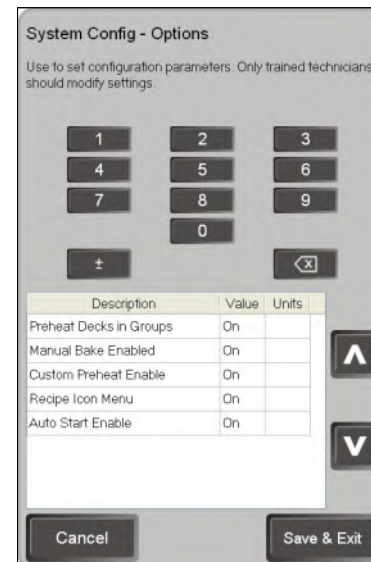


5.2.6 System Config - Options

To change a value press in the 'Value' cell and use the keypad to delete and enter the new value.

Where a value is either 'On' or 'Off', select the value shown and an 'On/Off Options' screen will display. Select the option required.

These settings apply to all decks. After pressing 'Save and Exit', these settings will synchronise automatically across all controllers.

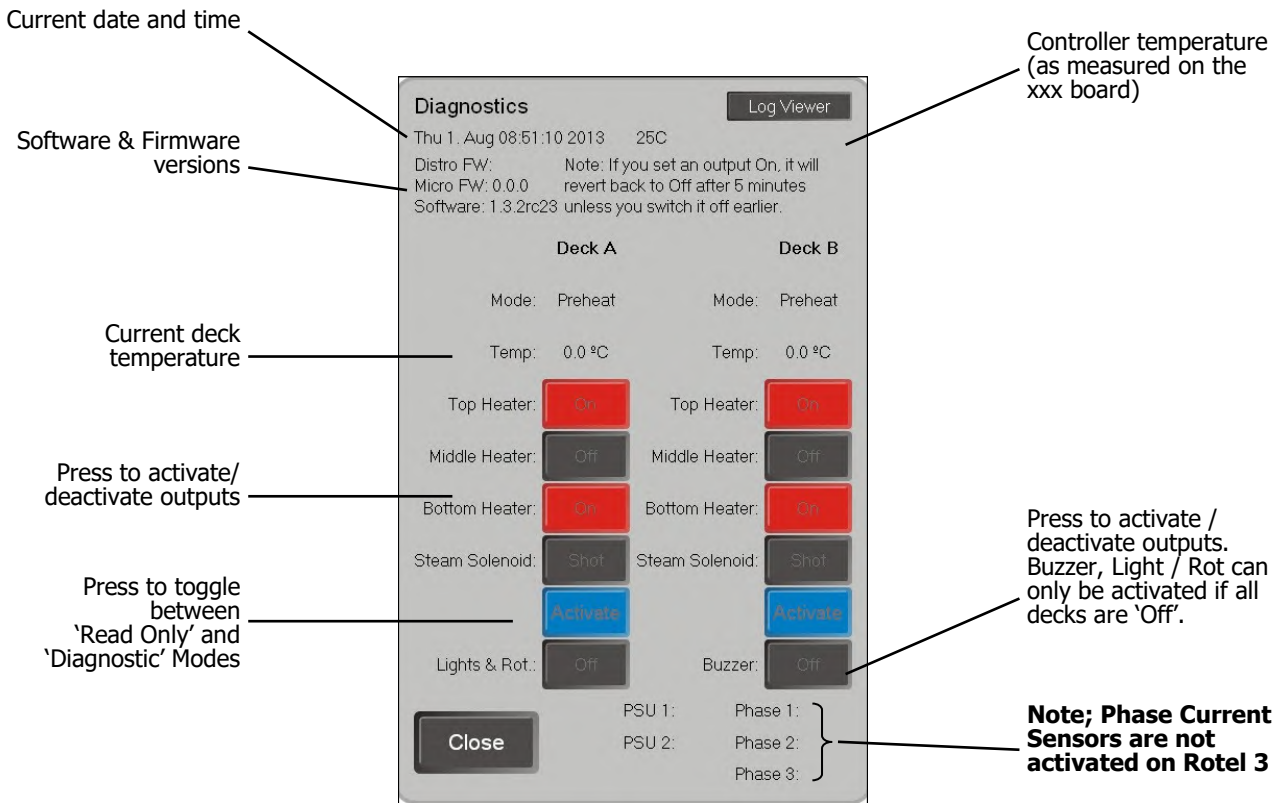


5.3 Diagnostics

To access Diagnostics enter the password '4600'.
 'Read Only' information is displayed on the screen.

To manually turn on control outputs press the 'Activate' button for the relevant deck. Each output can then be manually switched On or Off.

NOTE:- To manually activate the 'Lights and Rot.' or the 'Buzzer', all decks must be switched Off, and 'Activate' pressed on both decks on the control.



5 Programming and Diagnostics

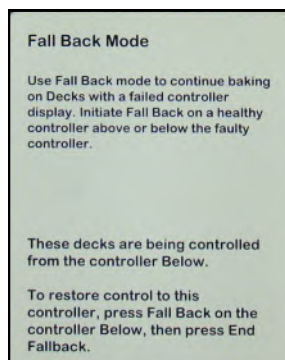
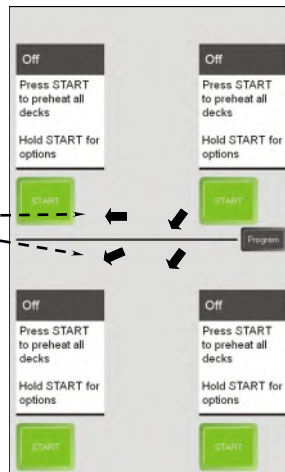
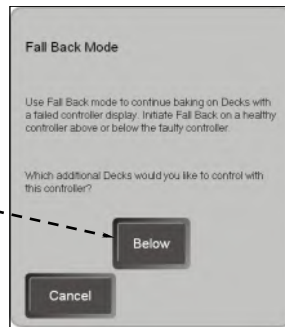
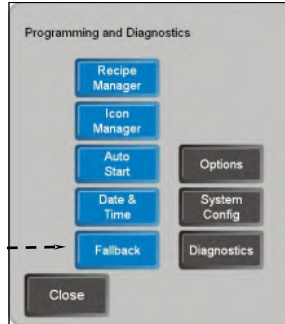
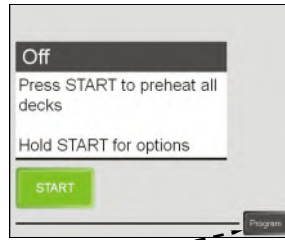
5.4 Fallback Mode

In the event that a controller display is damaged or has failed, Fallback Mode enables continued baking control by using an adjacent controller.

To Commence Fallback Mode

On a working controller, above or below a failed control screen;-

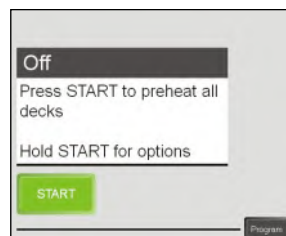
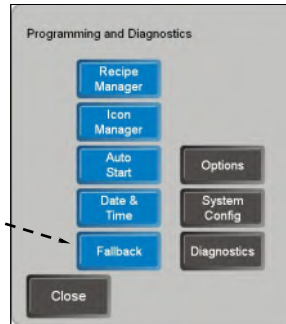
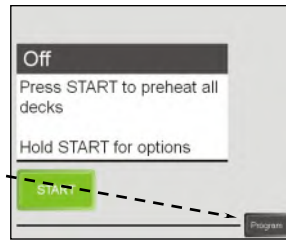
- Select the **Program** key.
- **Programming and Diagnostic** screen will appear.
- Select **'Fallback'** Mode.
- Select the controller that will take over control. Above or below the inoperable controller.
- The screen will divide into four screen sections with an arrow indicating the deck that is controlled by each section. This may vary with oven models.
- The faulty screen will display the following message.



To Cancel Fallback Mode

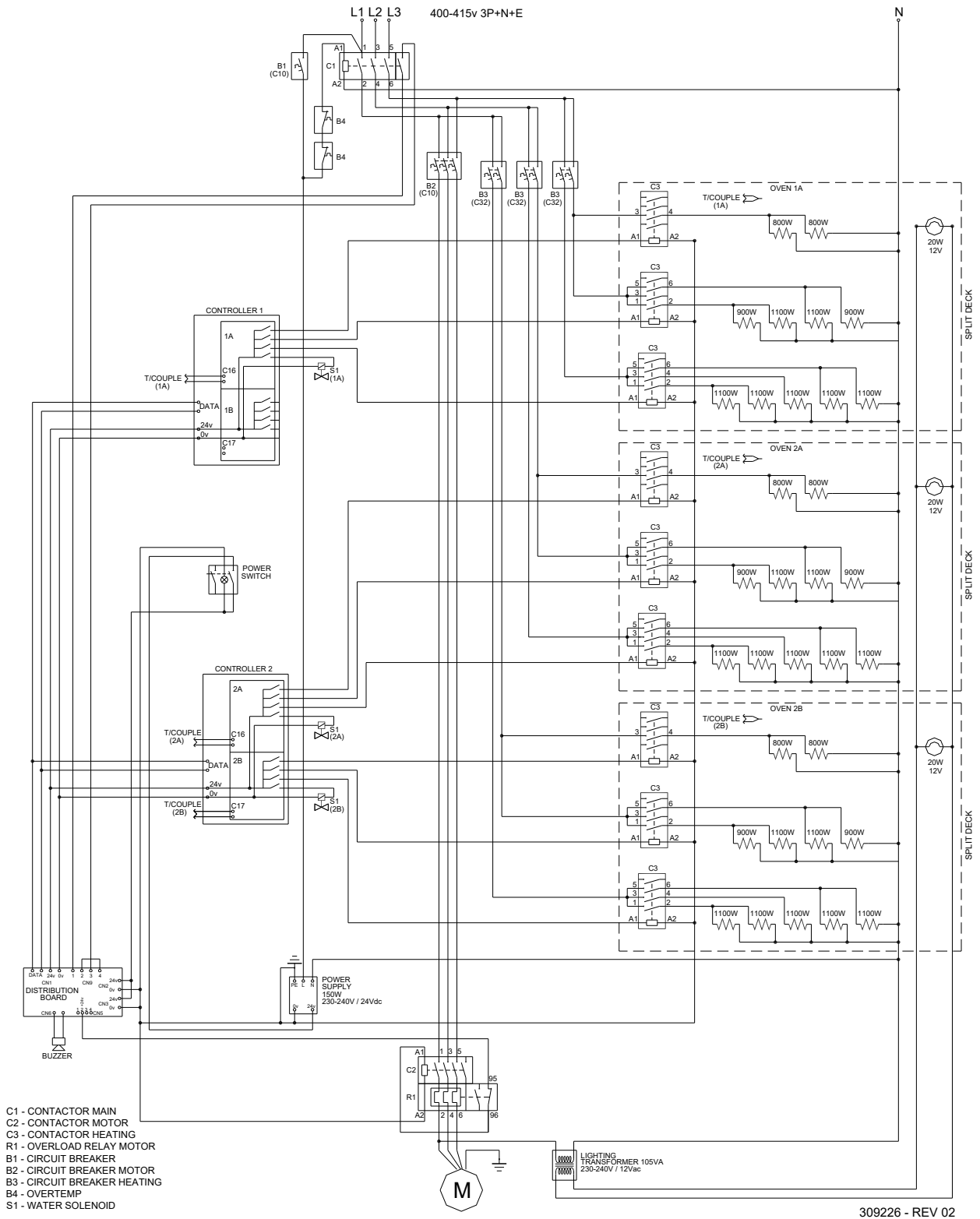
On a working controller, above or below a failed control screen;-

- Select the **Program** key.
- **Programming and Diagnostic** screen will appear.
- Select '**Fallback**' Mode.
- Select 'End Fallback'.
- The display will return to the 'Normal' Start Screen.

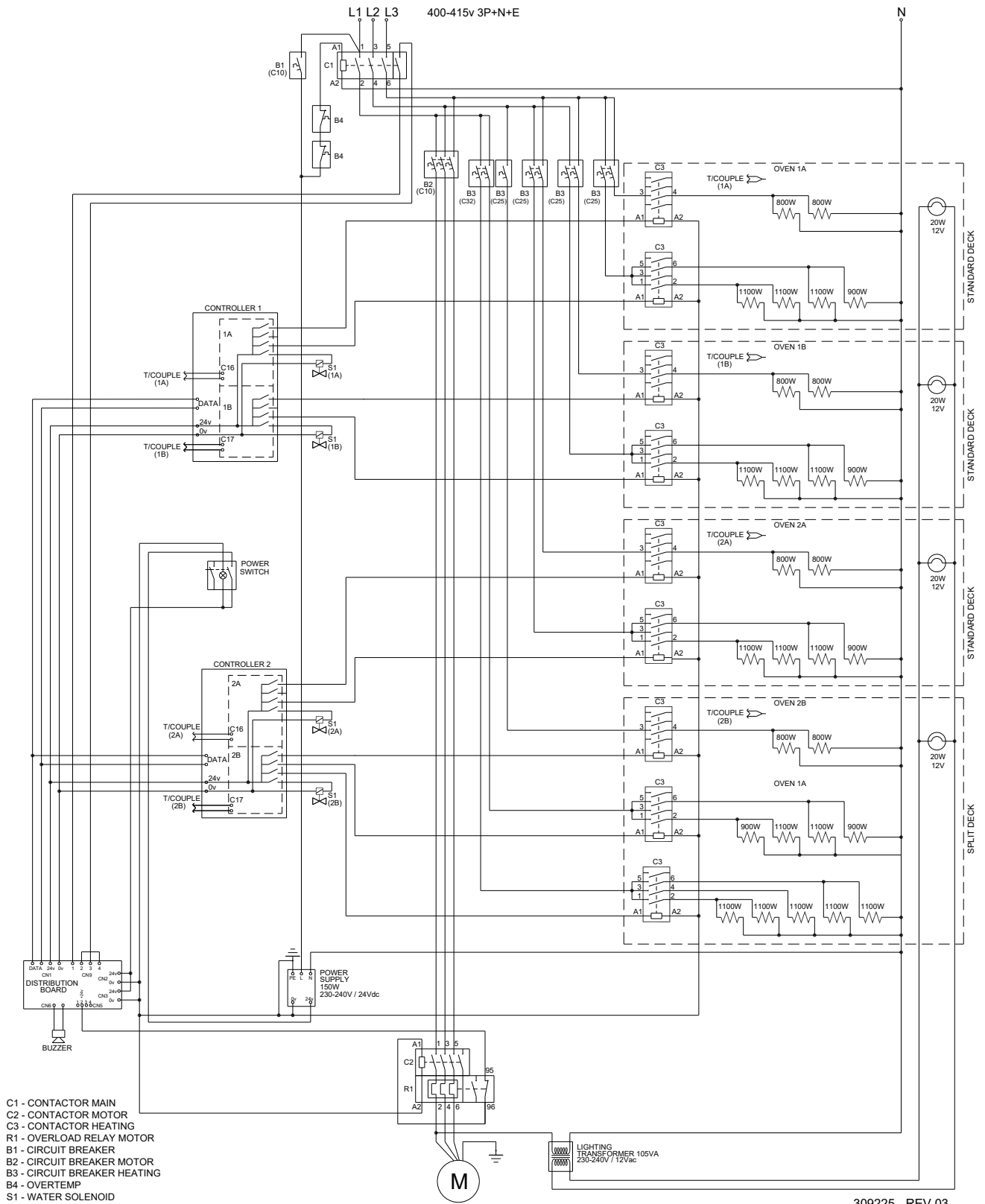


6 Circuit Schematics

6.1 R3M3D3S

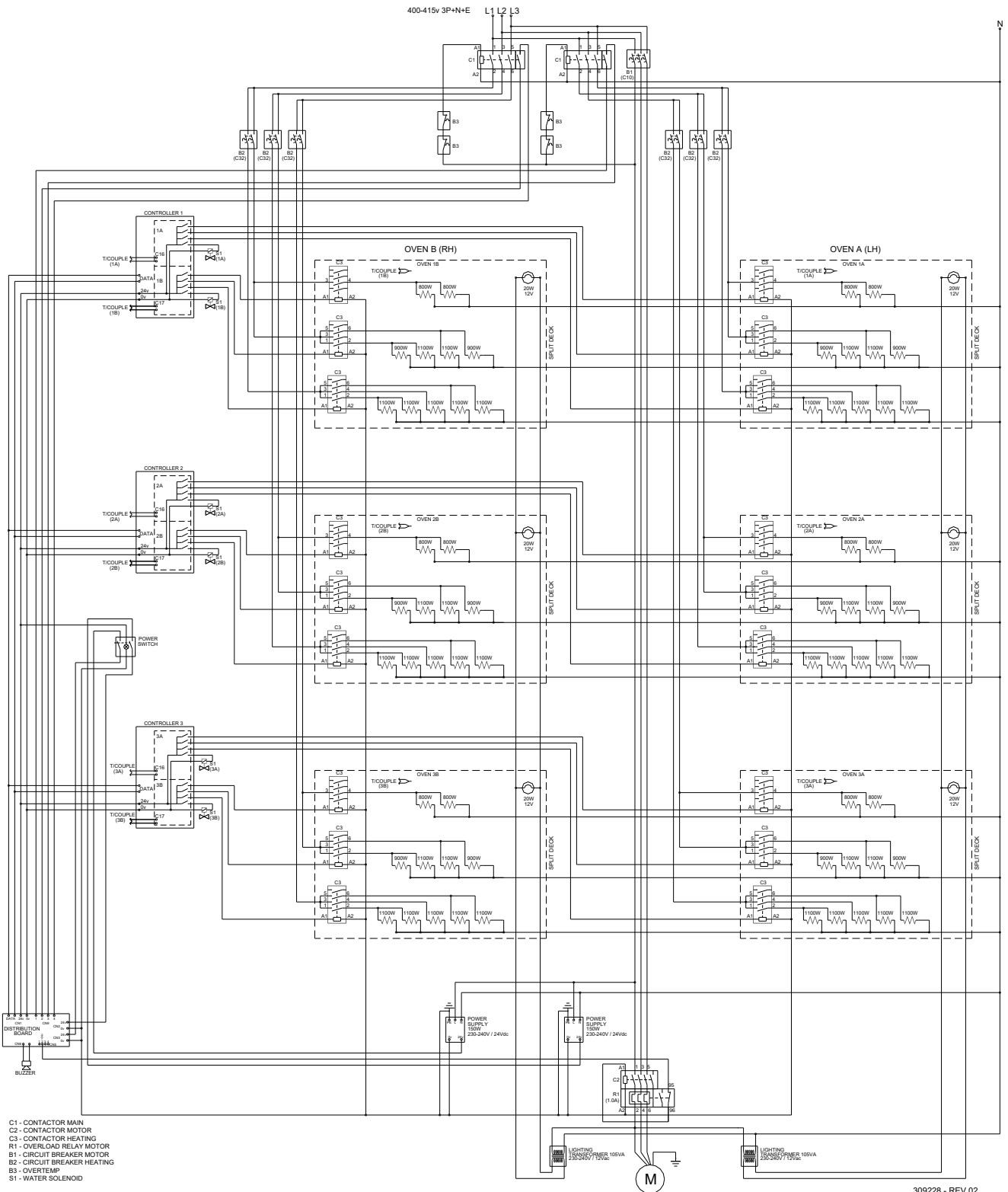


6.2 R3M4D1S



- C1 - CONTACTOR MAIN
- C2 - CONTACTOR MOTOR
- C3 - CONTACTOR HEATING
- R1 - OVERLOAD RELAY MOTOR
- B1 - CIRCUIT BREAKER
- B2 - CIRCUIT BREAKER MOTOR
- B3 - CIRCUIT BREAKER HEATING
- B4 - OVERTEMP
- S1 - WATER SOLENOID

6.4 R33D3S

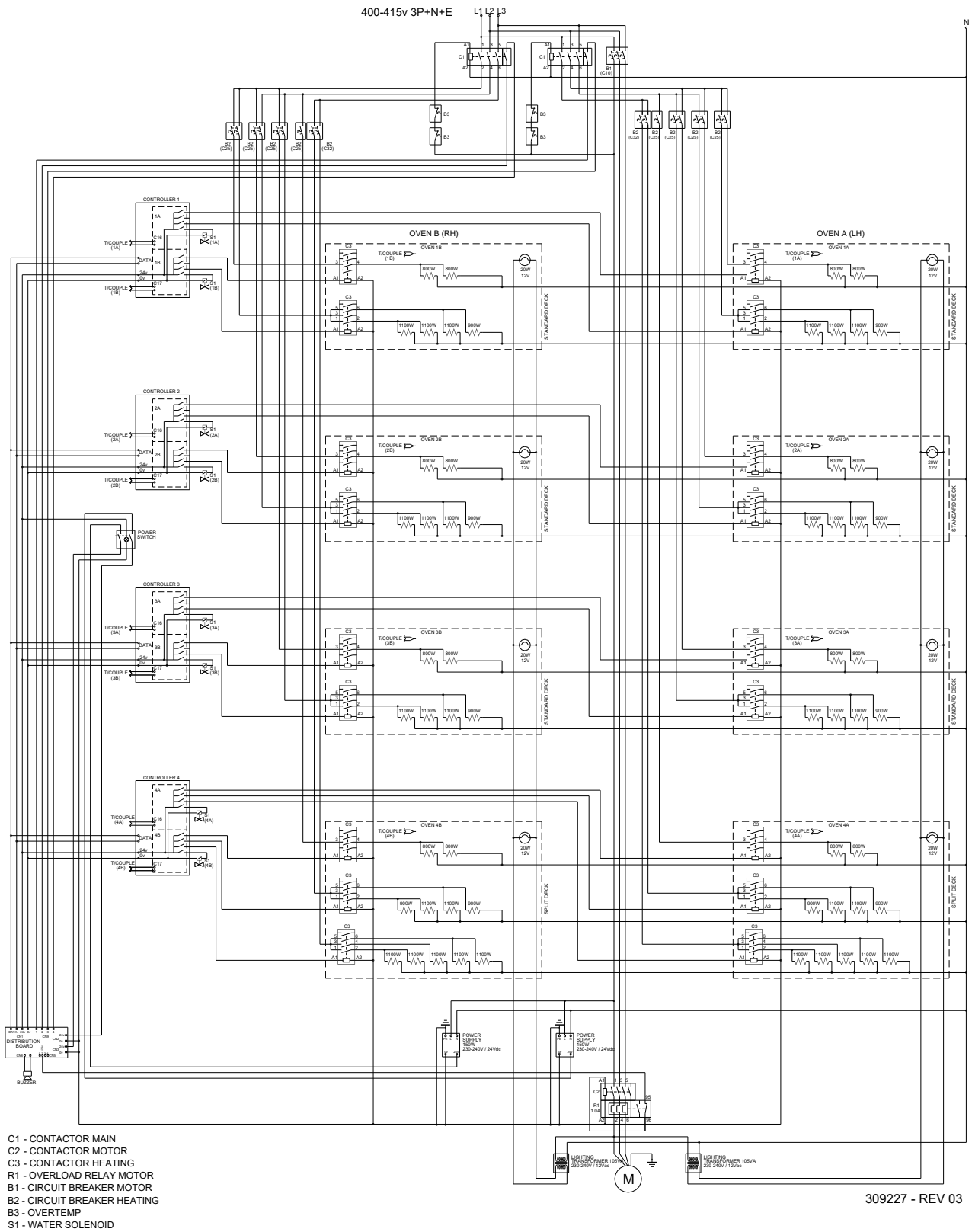


- C1 - CONTACTOR MAIN
- C2 - CONTACTOR MOTOR
- C3 - CONTACTOR HEATING
- R1 - OVERLOAD RELAY MOTOR
- B1 - CIRCUIT BREAKER MOTOR
- B2 - CIRCUIT BREAKER HEATING
- B3 - OVERTEMP
- S1 - WATER SOLENOID

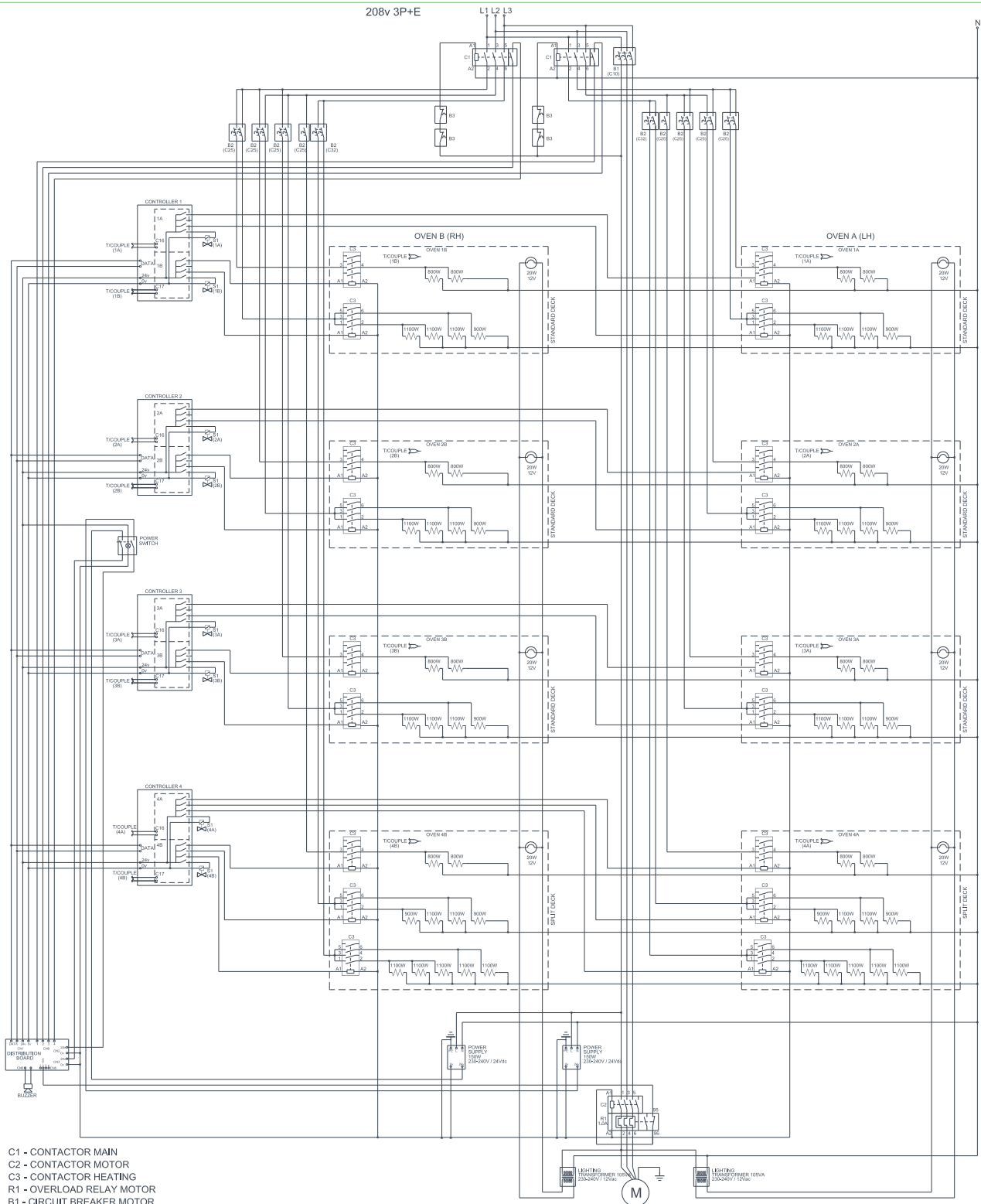
309228 - REV 02

6 Circuit Schematics

6.5 R34D1S



6.6A R34D1S (208V) - Up To Ser No. 1832607

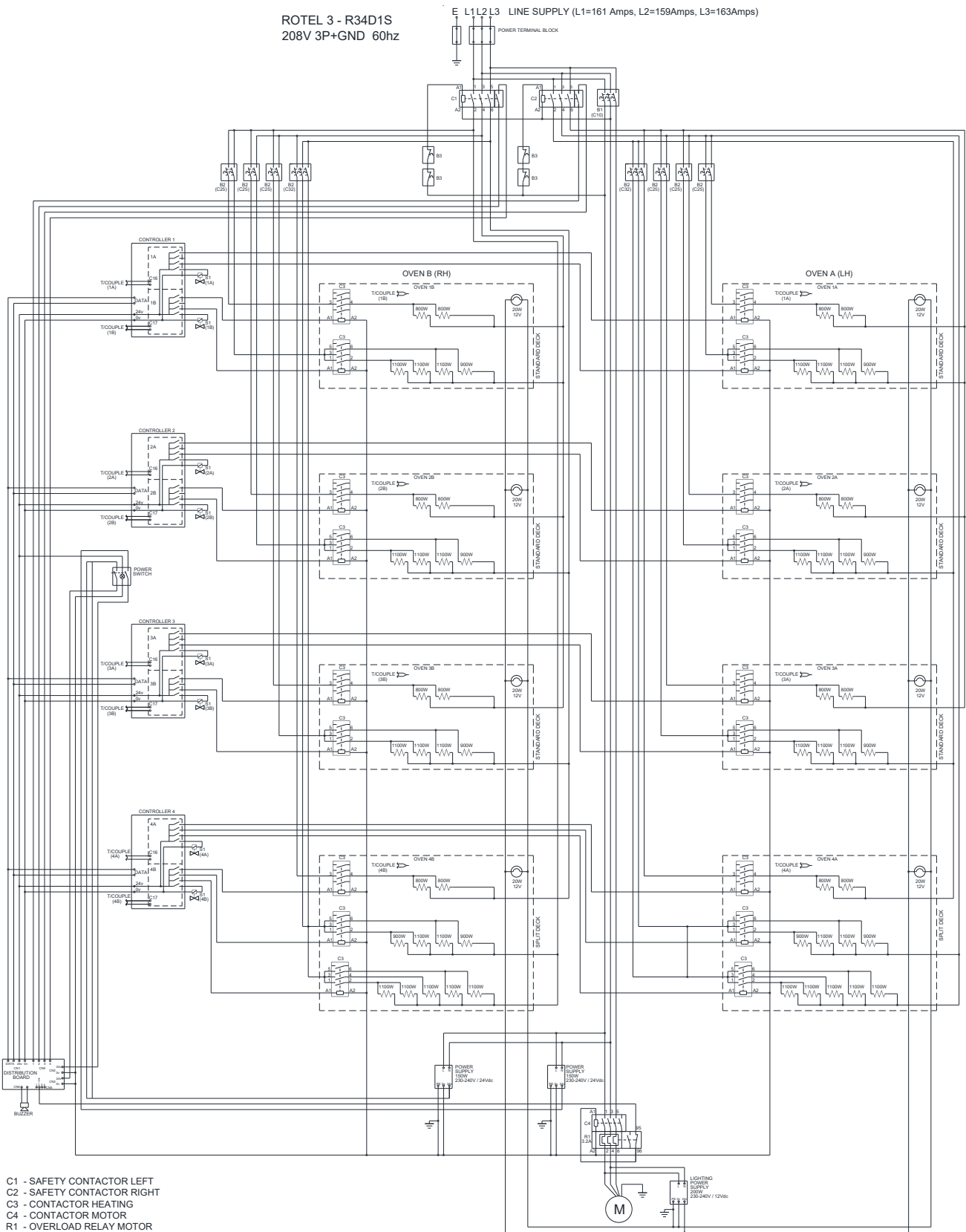


- C1 - CONTACTOR MAIN
- C2 - CONTACTOR MOTOR
- C3 - CONTACTOR HEATING
- R1 - OVERLOAD RELAY MOTOR
- B1 - CIRCUIT BREAKER MOTOR
- B2 - CIRCUIT BREAKER HEATING
- B3 - OVERTEMP
- S1 - WATER SOLENOID

309227 - REV 04

6 Circuit Schematics

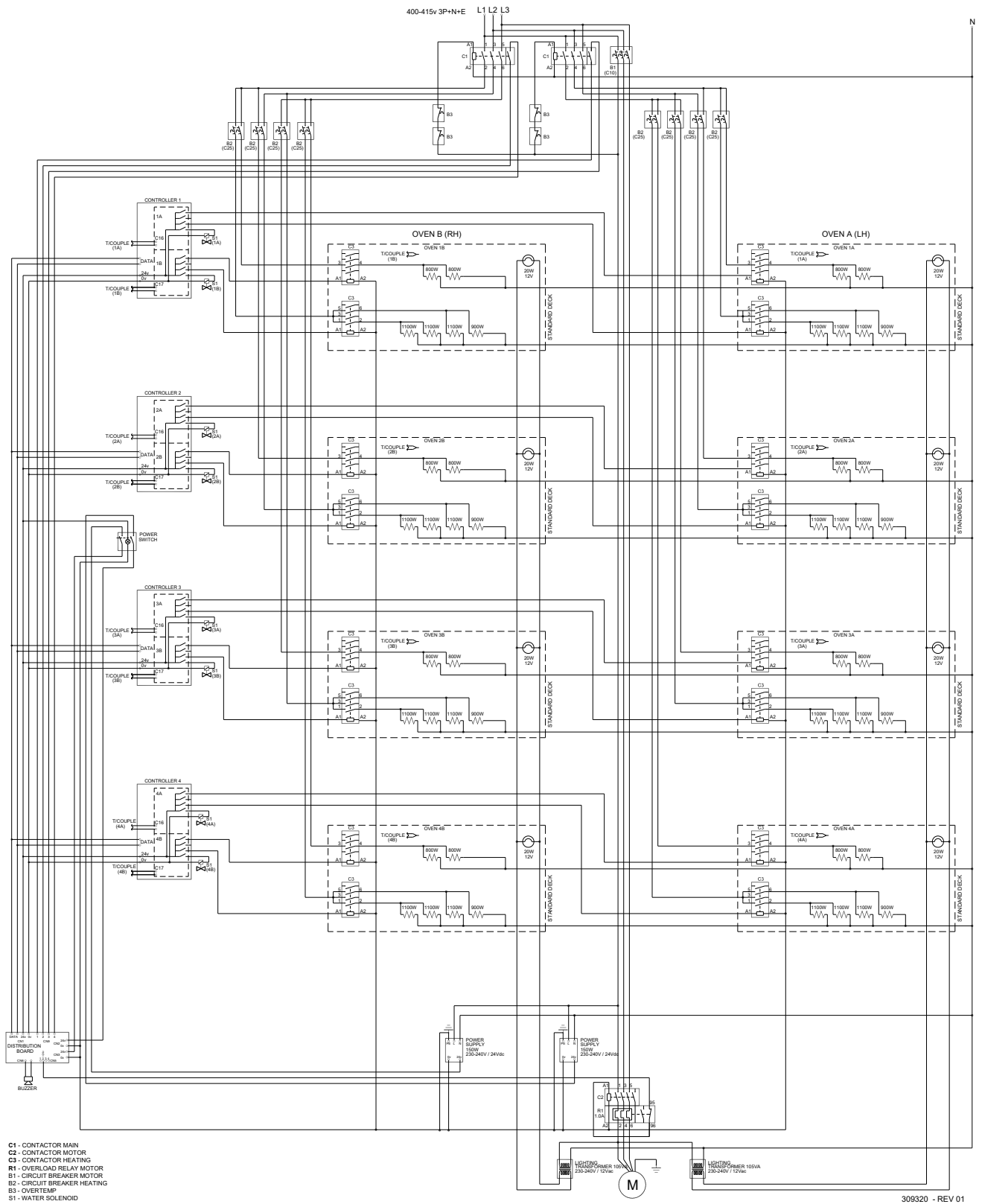
6.6B R34D1S (208V) - From Ser No. 1832608



- C1 - SAFETY CONTACTOR LEFT
- C2 - SAFETY CONTACTOR RIGHT
- C3 - CONTACTOR HEATING
- C4 - CONTACTOR MOTOR
- R1 - OVERLOAD RELAY MOTOR
- B1 - CIRCUIT BREAKER MOTOR
- B2 - CIRCUIT BREAKER HEATING
- B3 - OVERTEMP
- S1 - WATER SOLENOID

309134 - REV 04

6.7 R34DHC



- C1 - CONTACTOR MAIN
- C2 - CONTACTOR MOTOR
- C3 - CONTACTOR HEATING
- R1 - OVERLOAD RELAY MOTOR
- B1 - CIRCUIT BREAKER MOTOR
- B2 - CIRCUIT BREAKER HEATING
- B3 - OVERTEMP
- S1 - WATER SOLENOID

7 Exploded Parts List

Exploded Parts - Contents List

7.1 R3M3D3S - 3 Deck, 3 Split, 12 Tray (Single)	38
7.1.1 External Panels	38
7.1.2 Elements / Steam	39
7.1.3 Turntables	40
7.1.4A Drive System - Up to Ser No. 702442	41
7.1.4B Drive System - From Ser No. 702443	42
7.1.5 Doors	43
7.1.6A Water (Up To Ser No. 1833684), Lights and Probes - Electrical Gear Panel	44
7.1.6B Water System - From Ser No. 1833685	45
7.1.7 Control Panel	46
7.2 R3M4D1S - 4 Deck, 1 Split, 10 Tray (Single)	47
7.2.1 External Panels	47
7.2.2 Elements / Steam	48
7.2.3 Turntables	49
7.2.4A Drive System - Up to Ser No. 702442	50
7.2.4B Drive System - From Ser No. 702443	51
7.2.5 Doors	52
7.2.6A Water (Up To Ser No. 1833684), Lights and Probes - Electrical Gear Panel	53
7.2.6B Water System - From Ser No. 1833685	54
7.2.7 Control Panel	55
7.3 R3M4DHC - 4 Deck, High Crown, 8 Tray (Single)	56
7.3.1 External Panels	56
7.3.2 Elements / Steam	57
7.3.3 Turntables	58
7.3.4A Drive System - Up to Ser No. 702442	59
7.3.4B Drive System - From Ser No. 702443	60
7.3.5 Doors	61
7.3.6A Water (Up To Ser No. 1833684), Lights and Probes - Electrical Gear Panel	62
7.3.6B Water System - From Ser No. 1833685	63
7.3.7 Control Panel	64
7.4 R33D3S - 3 Deck, 3 Split, 24 Tray (Twin)	65
7.4.1 External Panels	65
7.4.2 Elements / Steam	66
7.4.3 Turntables	67
7.4.4A Drive System - Up to Ser No. 689358	68
7.4.4B Drive System - From Ser No. 689359	69
7.4.5 Doors	70
7.4.6A Water (Up To Ser No. 1833684), Lights and Probes	72
7.4.6B Water System - From Ser No. 1833685	73
7.4.7 Electrical Gear Panel	74
7.4.8 Control Panel	75

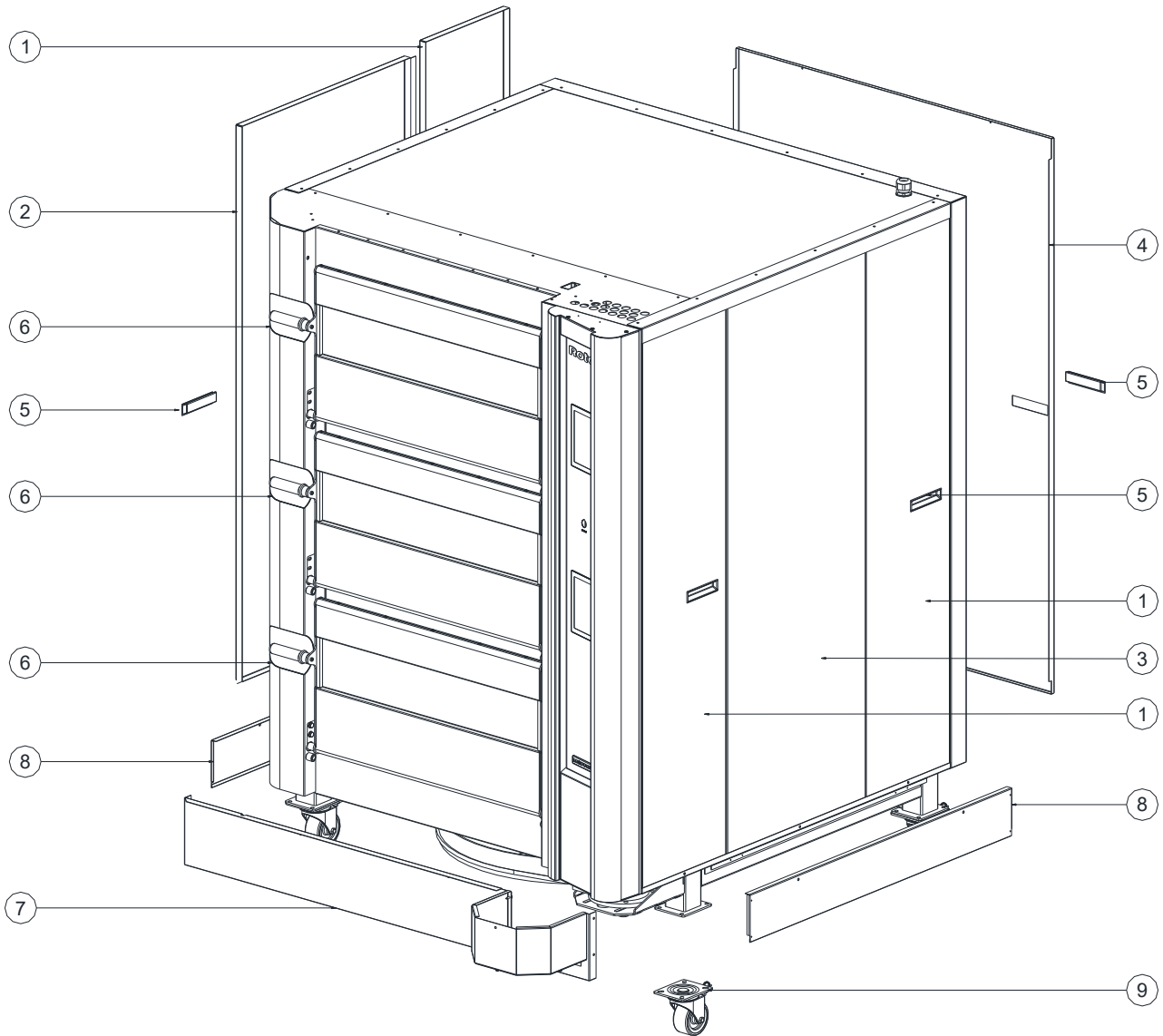
Exploded Parts - Contents List (Cont.d)

7.5	R34D1S - 4 Deck, 1 Split, 20 Tray (Twin)	76
7.5.1	External Panels	76
7.5.2	Elements / Steam	77
7.5.3	Turntables	78
7.5.4A	Drive System - Up to Ser No. 689358	79
7.5.4B	Drive System - From Ser No. 689359	80
7.5.5	Doors	81
7.5.6A	Water (Up To Ser No. 1833684), Lights and Probes	83
7.5.6B	Water System - From Ser No. 1833685	85
7.5.7A	Electrical Gear Panel	86
7.5.7B	Electrical Gear Panel - 208V	87
7.5.8	Control Panel	88
7.6	R34DHC - 4 Deck, High Crown, 16 Tray (Twin)	89
7.6.1	External Panels	89
7.6.2	Elements / Steam	90
7.6.3	Turntables	91
7.6.4	Drive System	92
7.6.5	Doors	93
7.6.6A	Water (Up To Ser No. 1833684), Lights and Probes	95
7.6.6B	Water System - From Ser No. 1833685	97
7.6.7	Electrical Gear Panel	98
7.6.8	Control Panel	99

7 Exploded Parts List

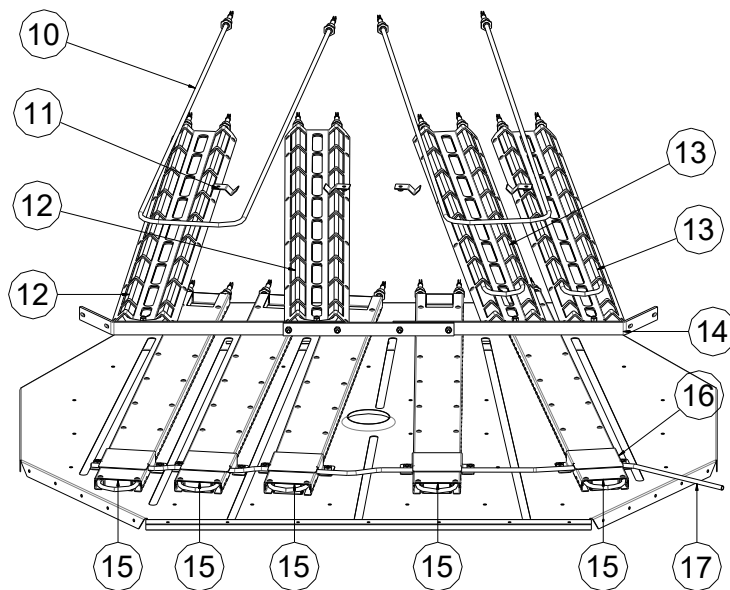
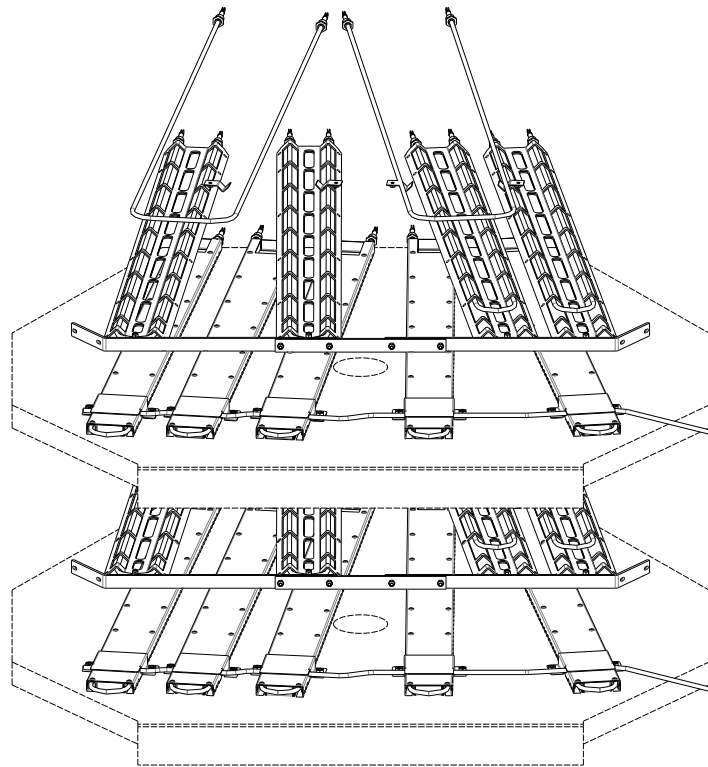
7.1 R3M3D3S

7.1.1 R3M3D3S - External Panels



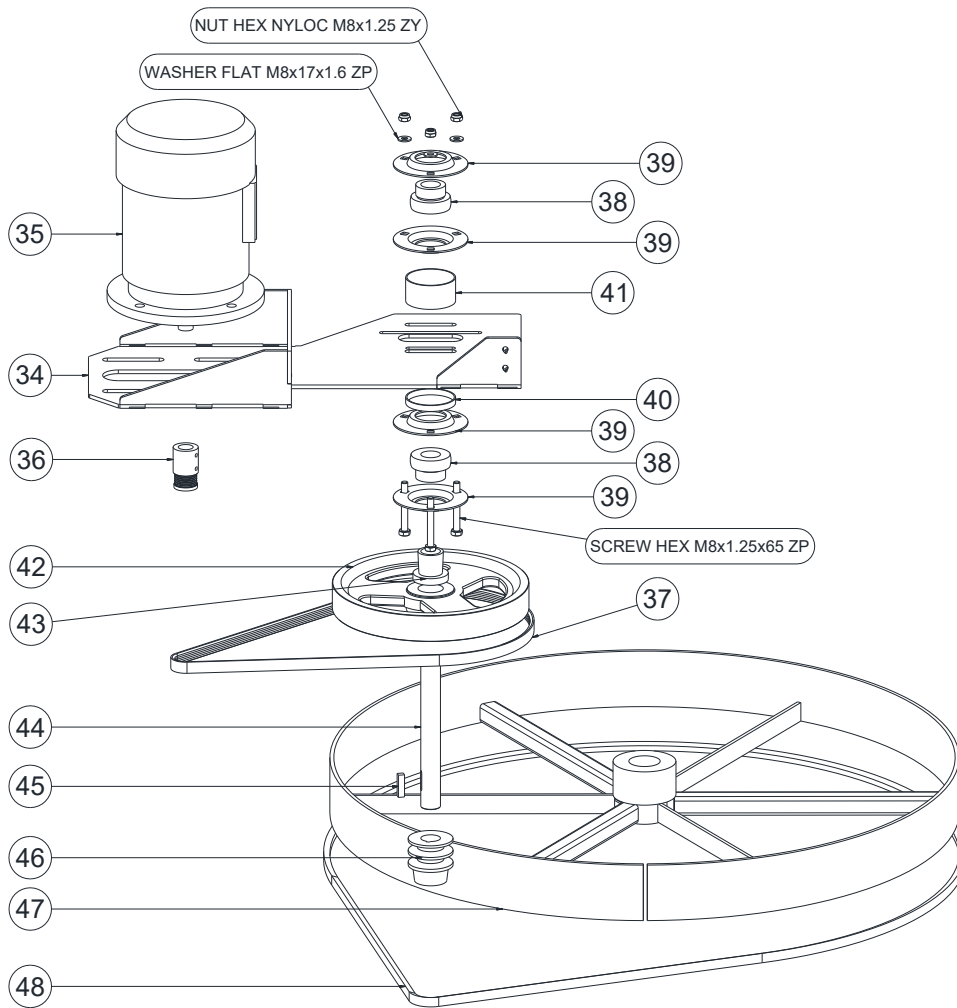
ITEM	PART NO.	DESCRIPTION
1	308717	SIDE PANEL SMALL 3D3S R3
2	308713	SIDE PANEL LARGE 3D3S R3
3	308718	SIDE PANEL RH 3D3S SINGLE R3
4	308715	BACK PANEL 3D3S R3
5	300769	HANDLE POCKET P2-54 BLACK
6	309064	SCALLOP MOULDING R3
7	309105	SKIRT FRONT ASSY R3 SINGLE
8	308752	SKIRT SIDE R3
9	307983	CASTOR S4494PS WHEEL PS4479 W\LOCK R3
Not Shown	301682	SCRAPER WA ROTEL
Not Shown	305776	BRUSH & HANDLE ASSY PLASTIC ROTEL

7.1.2 R3M3D3S - Elements / Steam



ITEM	PART NO.	DESCRIPTION
10	305737	ELEMENT 800W 240V R3
11	307125	ELEMENT HOLDER ROOF R3
12	309193	ELEMENT ASSY MIDDLE 1100W R3
13	309194	ELEMENT ASSY MIDDLE 900W R3
14	307908	ELEMENT SUPPORT FRAME WA R3
15	309191	STEAM GEN ASSY 1100W R3. INCLUDES ELEMENT
16	307905	STEAM GEN CLAMP R3
17	309152	STEAM TUBE SPLIT LH R3

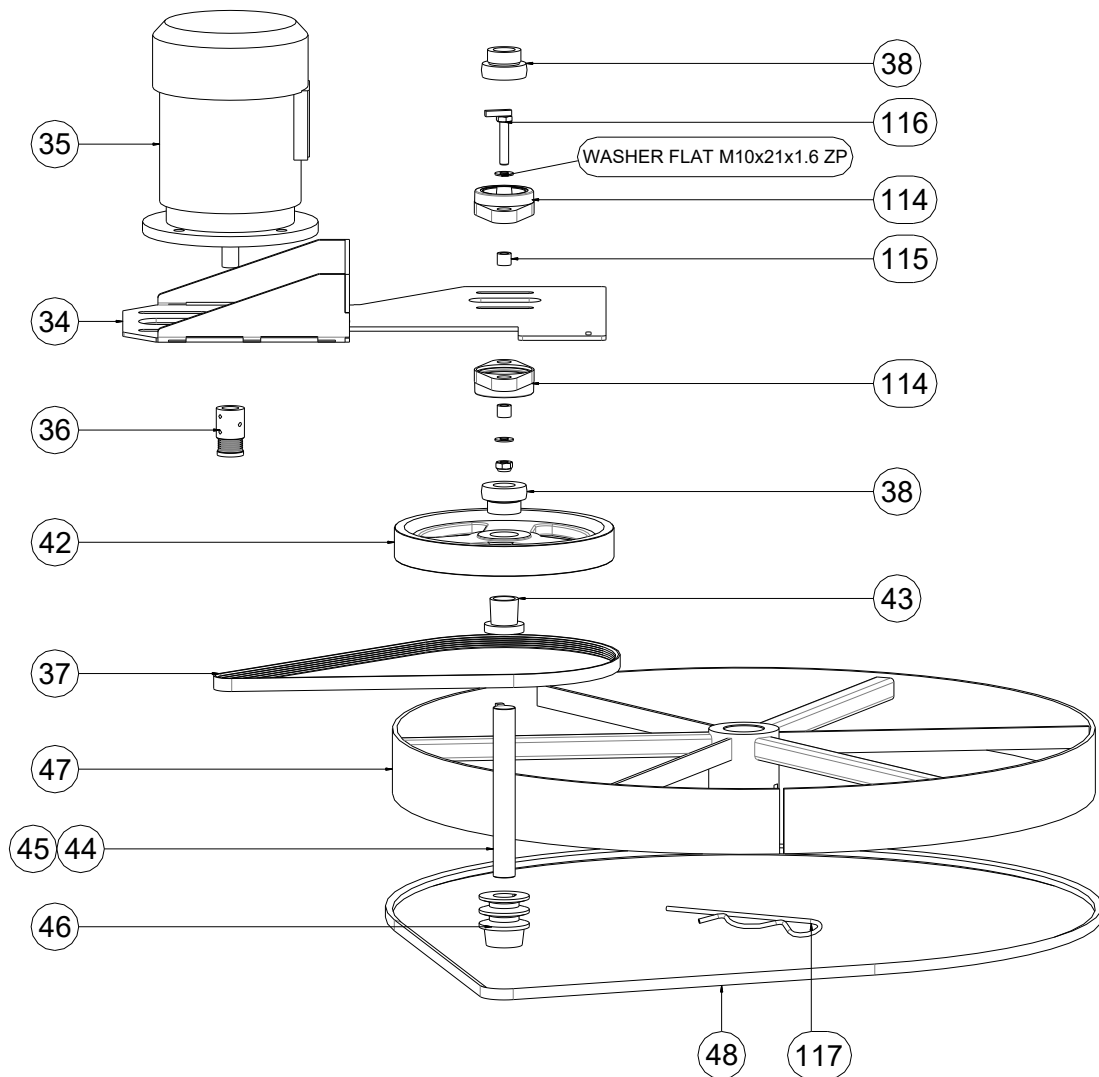
7.1.4a R3M3D3S - Drive System - Up to Serial Number 702442



ITEM	PART NO.	DESCRIPTION
34	307858	MOTOR MOUNT PLATE WA SINGLE R3
35	304373	MOTOR 0.15kW 12 POLE 415V 50Hz
36	307884	PULLEY MOTOR DRIVE R3
37	307816	BELT FLAT POLY-V 470J6 1193mm R3
38	307889	BEARING AEL205D1 CAMLOCK
39	304639	BEARING HOUSING PF5/PF205 PRESSED
40	307878	SPACER SLEEVE 63.5ODx1.6WTx8mm R3
41	307890	SPACER SLEEVE 63.5ODx1.6WTx32mm R3
42	307887	PULLEY ALUM FLAT 250mm R3
43	303001	ADAPTER SLEEVE H2306 JAPAN
44	307886	COUNTER SHAFT DRIVE R3
45	300115	KEY STEEL 8x7mm 30mm LONG
46	307891	PULLEY 2"x2A 25mm BORE R3
47	308952	DRIVE WHEEL WA R3
48	300188	VBELT A108

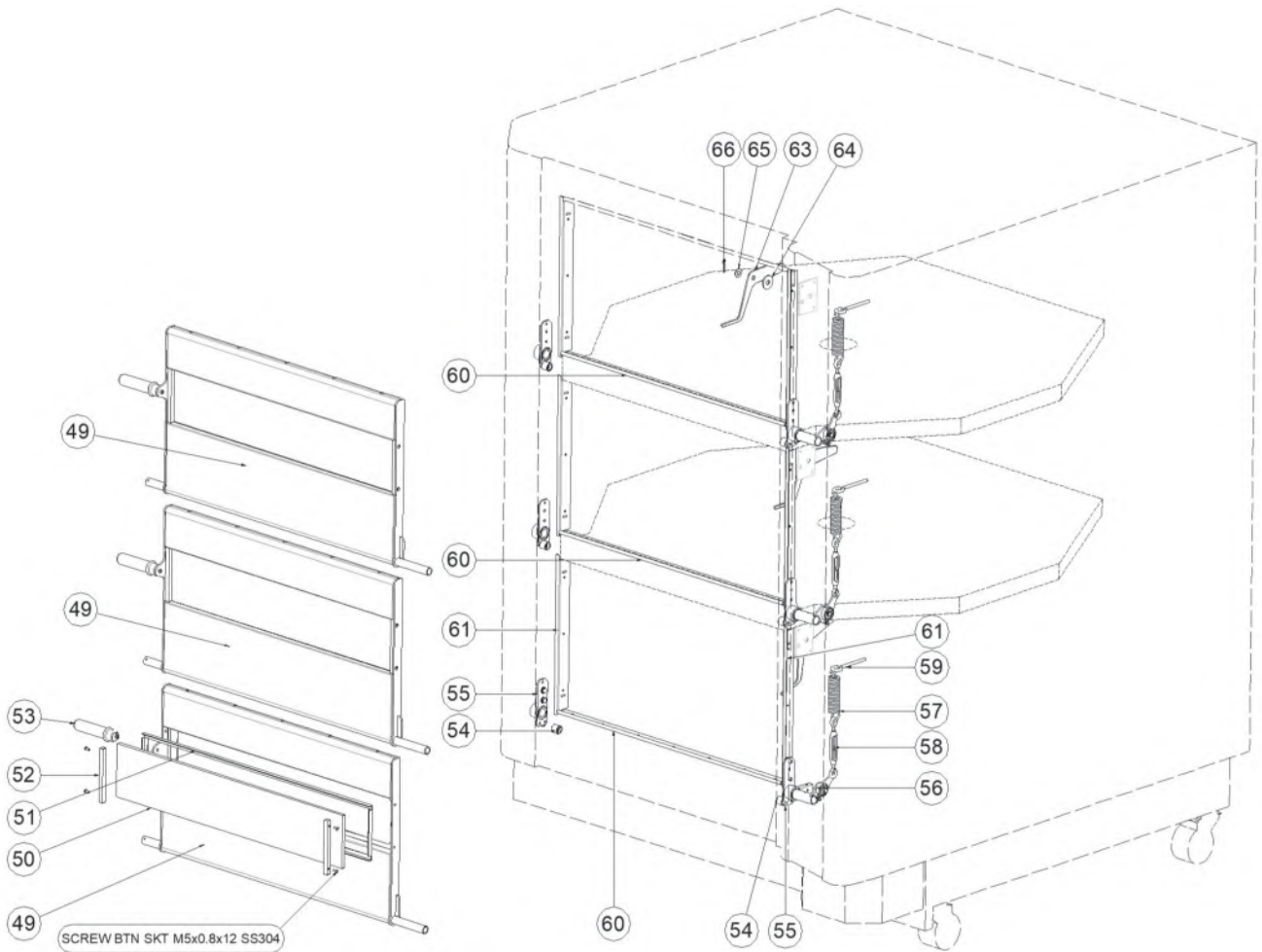
7 Exploded Parts List

7.1.4b R3M3D3S - Drive System - From Serial Number 702443



ITEM	PART NO.	DESCRIPTION
34	307858	MOTOR MOUNT PLATE WA SINGLE R3
35	304373	MOTOR 0.15kW 12 POLE 415V 50Hz
36	307884	PULLEY MOTOR DRIVE R3
37	307816	BELT FLAT POLY-V 470J6 1193mm R3
38	307889	BEARING AEL205D1 CAMLOCK
42	307887	PULLEY ALUM FLAT 250mm R3
43	303001	ADAPTER SLEEVE H2306 JAPAN
44	307886	COUNTER SHAFT DRIVE R3
45	300115	KEY STEEL 8x7mm 30mm LONG
46	307891	PULLEY 2"x2A 25mm BORE R3
47	308952	DRIVE WHEEL WA R3
48	300188	VBELT A108
114	303003	BEARING HOUSING FL205J
115	309321	BUSH
116	309322	BOLT ANTI-ROTATE
117	301291	R-CLIP

7.1.5 R3M3D3S - Doors

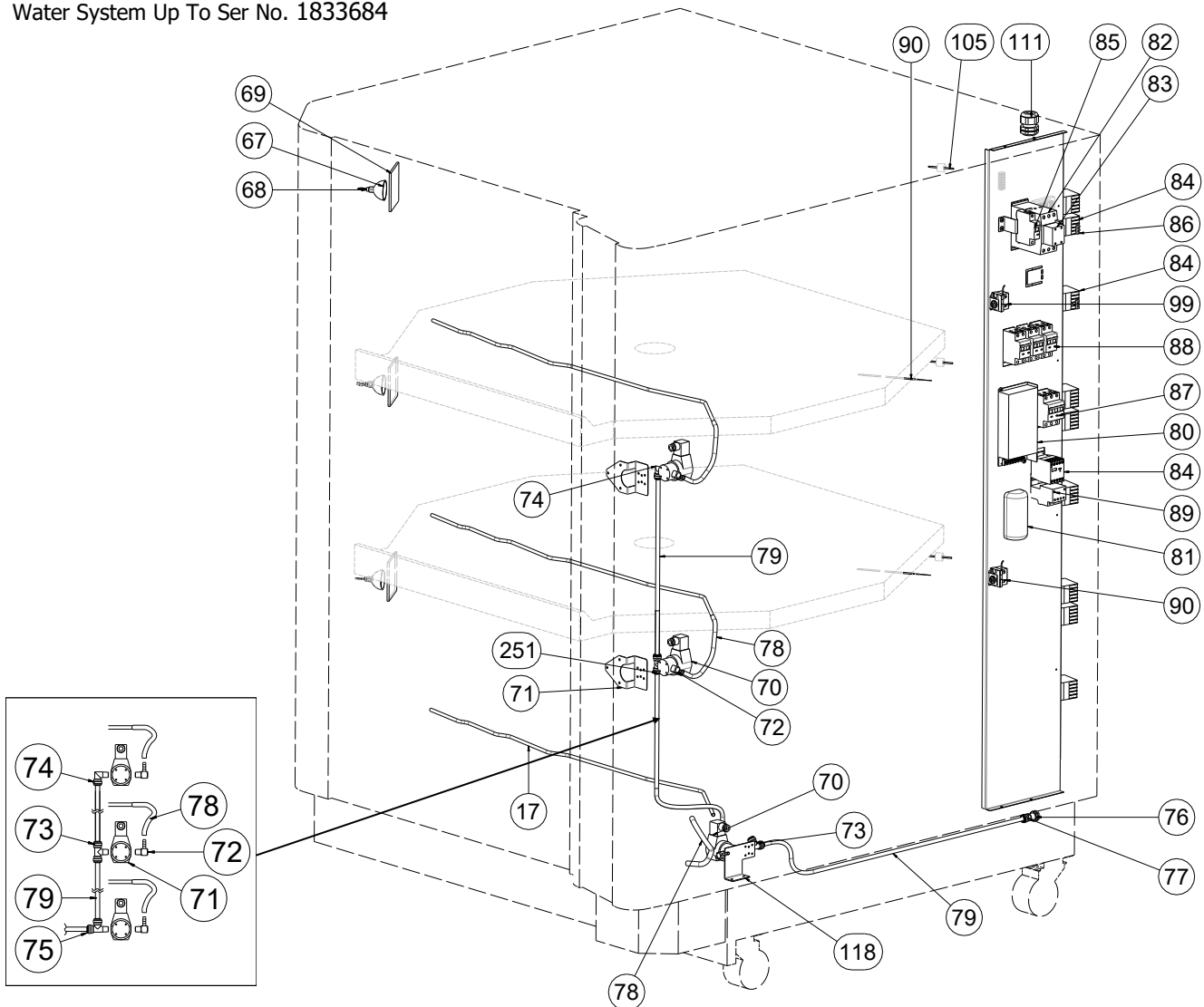


ITEM	PART NO.	DESCRIPTION
49	308747	DOOR ASSY SPLIT LH R3
50	307984	GLASS 10mm TOUGH 826 x 150 SCREEN R3
51	308782	SEAL Si RUBBER L 12 x 12 x 2 BLACK R3
52	308735	DOOR GLASS CLAMP AL SATIN BLACK R3
53	309109	DOOR HANDLE ASSY R3
53a	410140	SCREW M6 x 25 - up to Ser. No. 1759794
53b	748022	SCREW M8 x 20 - from Ser. No. 1759795
54	308767	DOOR STOP CONCENTRIC R3 (FACTORY STANDARD)
	308768	DOOR STOP ECCENTRIC R3 (OPTIONAL)
55	307975	HINGE PL CARBON OUTER WA R3
56	309217	HINGE SPRING ARM ASSY SPLIT R3
57	300341	SPRING TENS 5mm 40 OD x 165 L ROTEL
58	301118	TURNBUCKLE 6mm SS (SPLIT DECK)
59	309195	EYE BOLT COLLARED M8
60	307901	DOOR SEAL / ROD ASSY 820mm R3
61	307911	SIDE SEAL SPLIT R3
63	307950	TRAY STOP ARM R3
64	470190	WASHER M12 x 37 x 3 ZP
65	450032	WASHER FLAT M12 x 24 x 1.6 ZP
66	470042	SPLIT PIN 3.2 x 25 ZP

7 Exploded Parts List

7.1.6A R3M3D3S - Water, Lights and Probes - Electrical Gear Panel

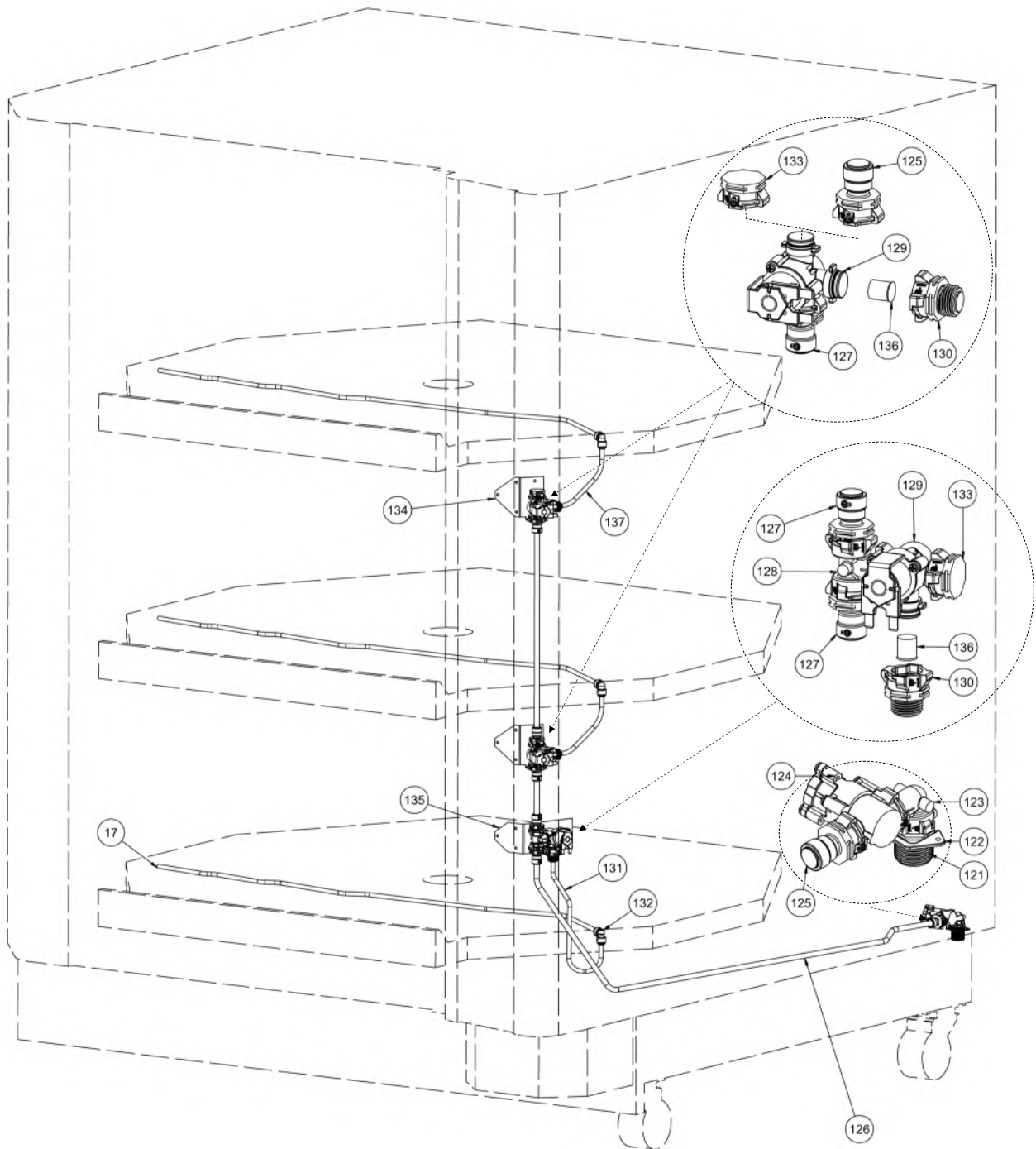
Water System Up To Ser No. 1833684



ITEM	PART NO.	DESCRIPTION
17	309152	STEAM TUBE SPLIT LH R3
67	300488	LAMP DICHROIC 20W 12V PHL14592
68	300489	LAMPHOLDER AND LEADS R3
69	300992	GLASS 5mm CLEAR FLOAT 100x100 R3
70	305917	SOLENOID VALVE 1/4 24V DC CE
71	307866	SOLENOID BKT R3
72	301516	FITTING ELBOW 1/4BSPx1/4 BARB
73	301522	FITTING RAPID TEE MALE 10/8 1/4BSP 10/8
74	301521	FITTING RAPID ELBOW 10/8 1/4BSP
75	301519	FITTING RAPID TEE STEM 10/8 10/8 1/4BSP
76	301523	FITTING BULKHD OD 1/2 BSP ID 1/4 BSP
77	301518	FITTING RAPID STRAIGHT 10/8 1/4BSP
78	301515	HOSE 1/4 DIA 250PSI RED
79	301511	TUBE 10x8mm NYLON NATURAL

ITEM	PART NO.	DESCRIPTION
80	306360	POWER SUPPLY 150W 24VDC R3
81	300138	TRANSFORMER 105VA 240/12V
82	309126	CONTACTOR 3 POLE DILM50 240V AC
83	309127	AUXILIARY CONTACT DILM150-XHI11
84	308155	CONTACTOR AUX N/O DILM7-10 3kW 24V DC 20A
85	305886	CIRCUIT BREAKER PLSM-C10/1-AU
86	300135	STAR POINT BRIDGE DILM12-XS1
87	305033	CIRCUIT BREAKER PLS6-C10/3
88	307883	CIRCUIT BREAKER PLS6-C32/2
89	306924	OVERLOAD RELAY ZB12 1.6
90	025400	OVERTEMP THERMOSTAT 1 POLE 360C
105	308199	THERMOCOUPLE WIRE TW-K20-G/G
111	305531	CABLE GLAND M32 BLACK NYLON
118	309251	SOLENOID BRACKET BOTTOM

7.1.6B R3M3D3S - Water System From Ser No. 1833685

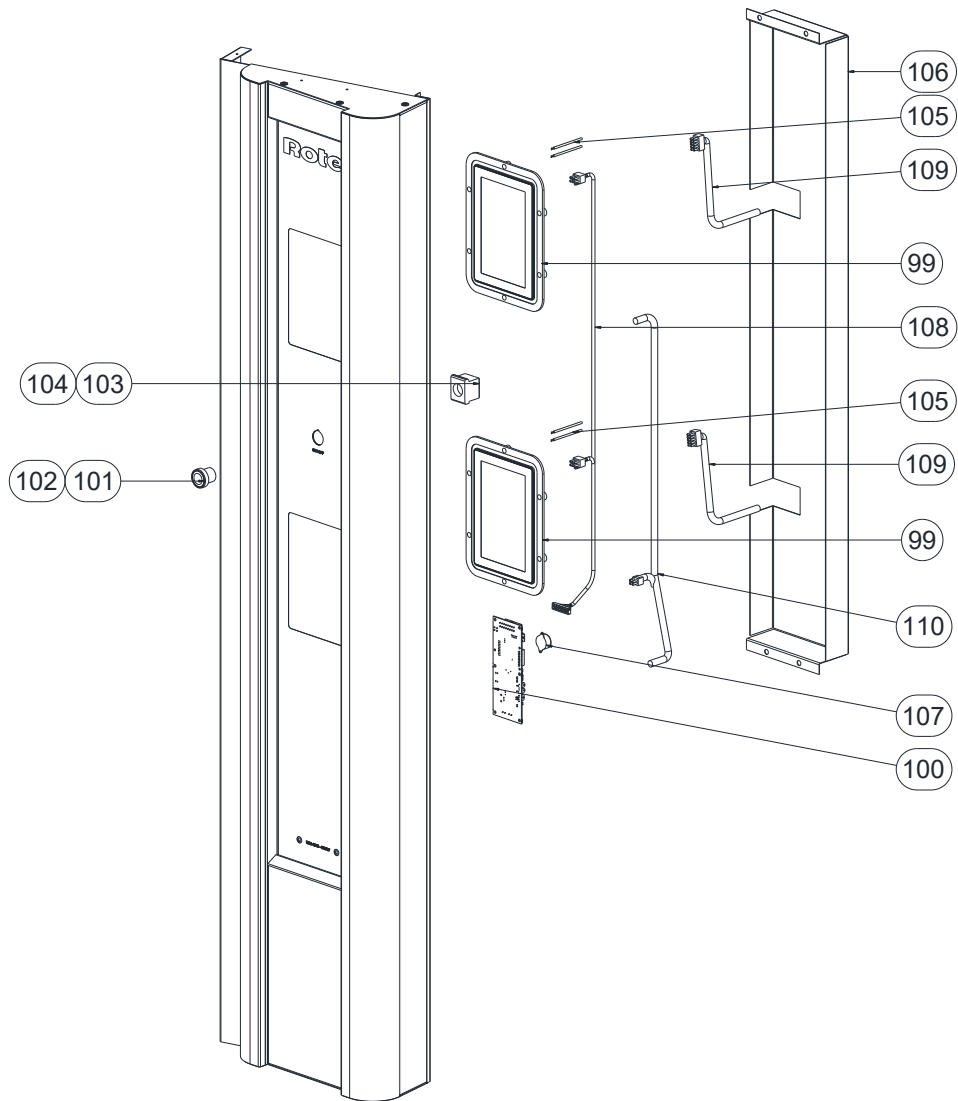


ITEM	PART NO.	DESCRIPTION
17	309152	STEAM TUBE SPLIT LH R3
121	245317	FITTING UNV, INLET 3/4" M
122	245316	R.P.E. MTG BRKT
123	245321	FITTING UNV ELBOW
124	245318	PRESSURE REDUCER UNV 1.2BAR BODY A
125	245319	FITTING UNV, OUTLET JG 10mm
126	245327	WATER TUBE 10mm OD 1450mm
127	245320	FITTING UNV INLET JG 10mm
128	245520	FITTING UNV T (F-M-F)

ITEM	PART NO.	DESCRIPTION
129	245322	SOLENOID UNV 24VDC NC BODY C
130	245324	FITTING UNV OUTLET JG 8mm
131	245331	WATER TUBE 8mm OD 450mm
132	245326	ELBOW SUPERSEAL JG 5/16"
133	245325	FITTING UNV OUTLET CAP
134	245279	WATER SOLENOID BRACKET R3
135	245338	WATER SOLENOID BRACKET BOTTOM R3
136	245323	FLOW RESTRICTOR UNV OUTLET BLACK
137	245330	WATER TUBE 8mm OD 210mm

7 Exploded Parts List

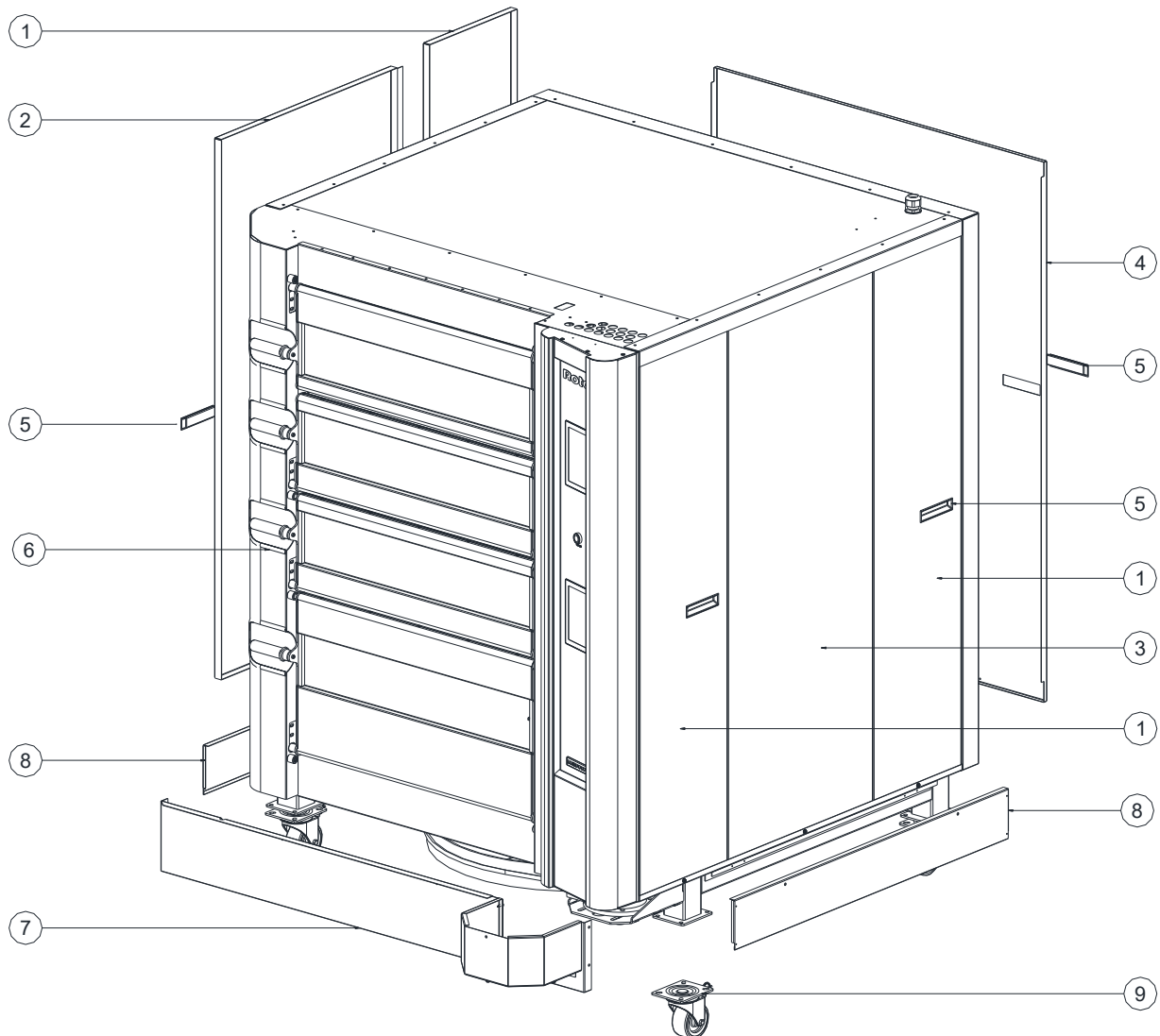
7.1.7 R3M3D3S - Control Panel



ITEM	PART NO.	DESCRIPTION
99	307787	CONTROLLER AND SCREEN ATBR3DC R3
100	307797	DISTRIBUTION BOARD ATBR3DB R3
101	309115	PUSH BUTTON FLUSH BLUE ILLUM M22-DRL-B
102	309116	LED BLUE 12-30V AC/DC M22-LED-B
103	302644	PUSH BUTTON ADAPTOR M22-A
104	302704	CONTACT ELEMENT N/O M22-K10
105	308199	THERMOCOUPLE WIRE TW-K20-G/G
106	309184	CONTROLLER COVER SINGLE
107	309104	BUZZER 3-28V DC 85dB CONT KPEG260 R3
108	307881	WIRING HARNESS CONTROL DISTRIBN SINGLE R3
109	309160	WIRING HARNESS CONTROL I/O SINGLE R3
110	309162	WIRING HARNESS CONTROL POWER SINGLE R3

7.2 R3M4D1S

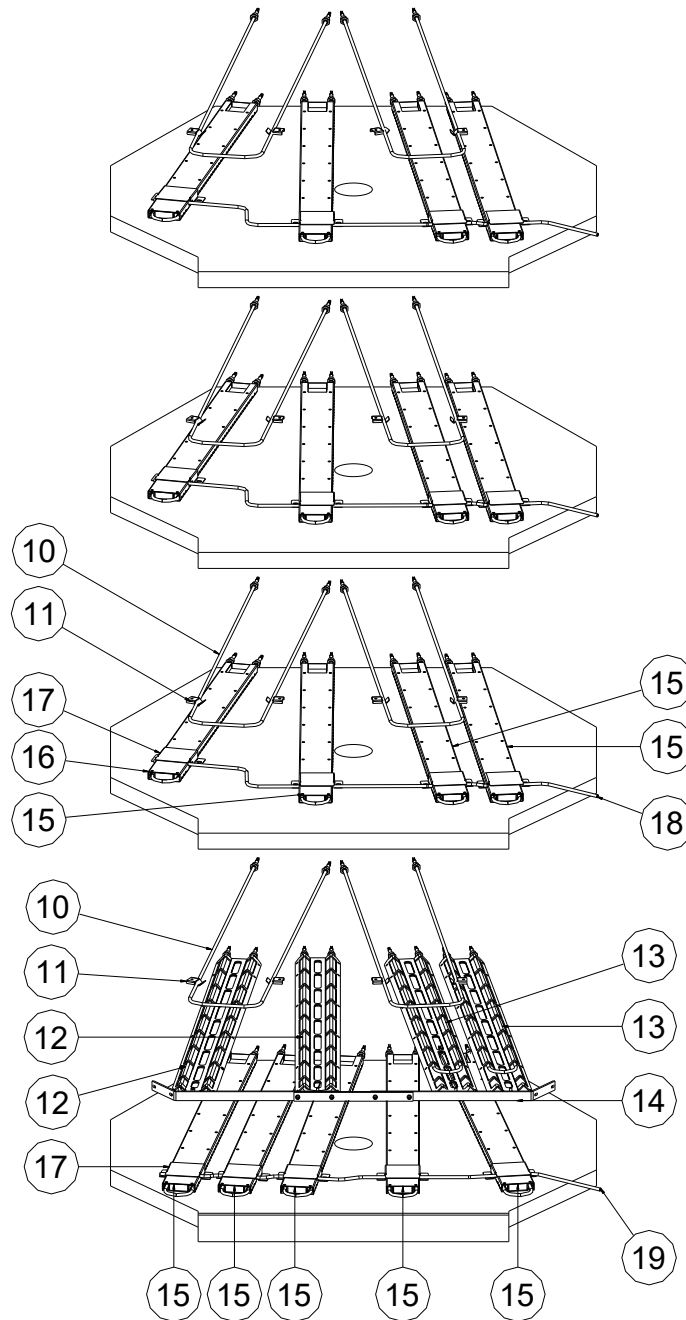
7.2.1 R3M4D1S - External Panels



ITEM	PART NO.	DESCRIPTION
1	308710	SIDE PANEL SMALL 4D1S R3
2	307993	SIDE PANEL LARGE 4D1S R3
3	308711	SIDE PANEL RH 4D1S SINGLE R3
4	308722	BACK PANEL 4D1S R3
5	300769	HANDLE POCKET P2-54 BLACK
6	309064	SCALLOP MOULDING R3
7	309105	SKIRT FRONT ASSY R3 SINGLE
8	308752	SKIRT SIDE R3
9	307983	CASTOR S4494PS WHEEL PS4479 W\LOCK R3
Not Shown	301682	SCRAPER WA ROTEL
Not Shown	305776	BRUSH & HANDLE ASSY PLASTIC ROTEL

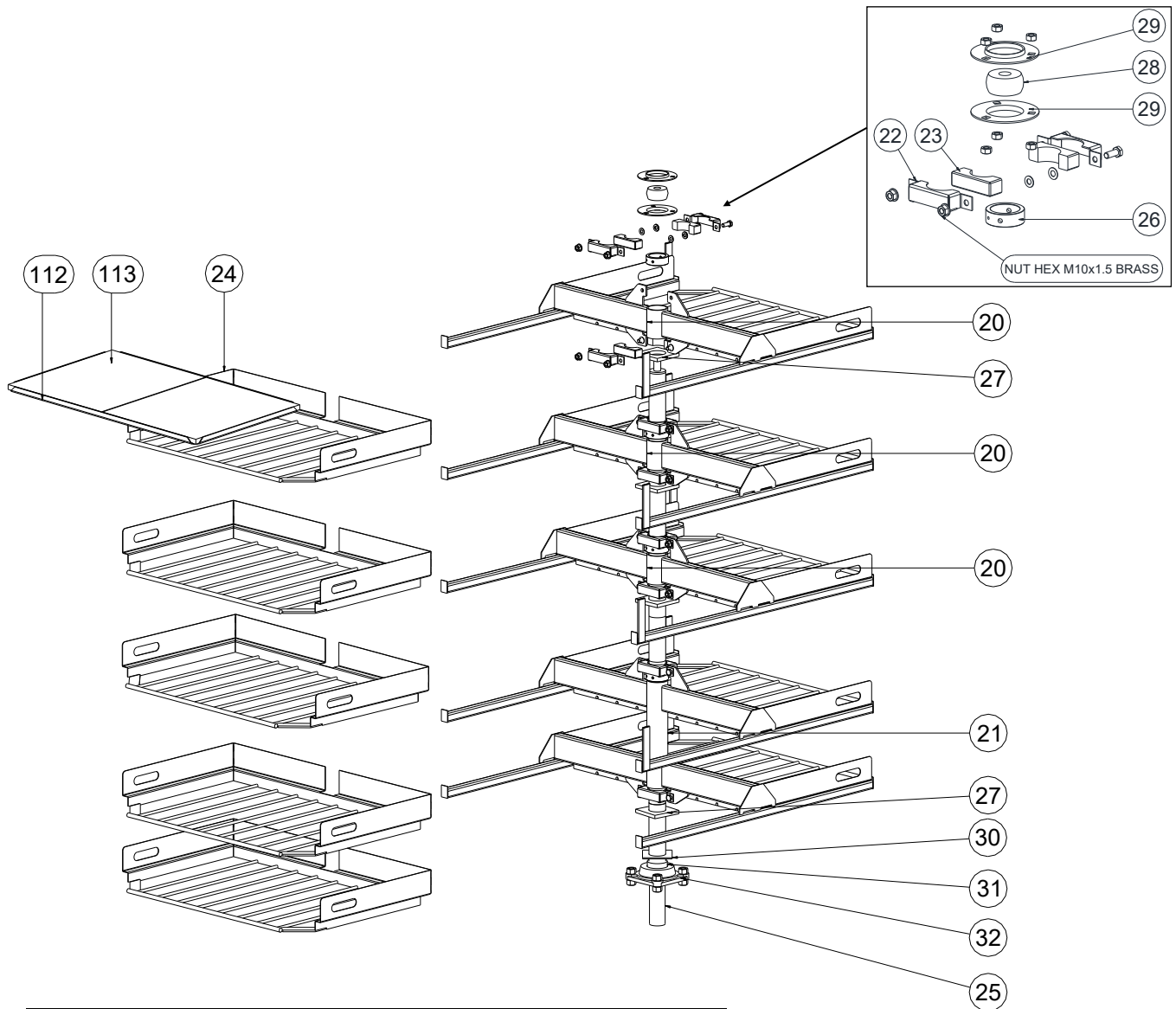
7 Exploded Parts List

7.2.2 R3M4D1S - Elements / Steam



ITEM	PART NO.	DESCRIPTION
10	305737	ELEMENT 800W 240V R3
11	307125	ELEMENT HOLDER ROOF R3
12	309193	ELEMENT ASSY MIDDLE 1100W R3
13	309194	ELEMENT ASSY MIDDLE 900W R3
14	307908	ELEMENT SUPPORT FRAME WA R3
15	309191	STEAM GEN ASSY 1100W R3 INCLUDES ELEMENT
16	309192	STEAM GEN ASSY 900W R3 INCLUDES ELEMENT
17	307905	STEAM GEN CLAMP R3
18	309153	STEAM TUBE STD LH R3
19	309152	STEAM TUBE SPLIT LH R3

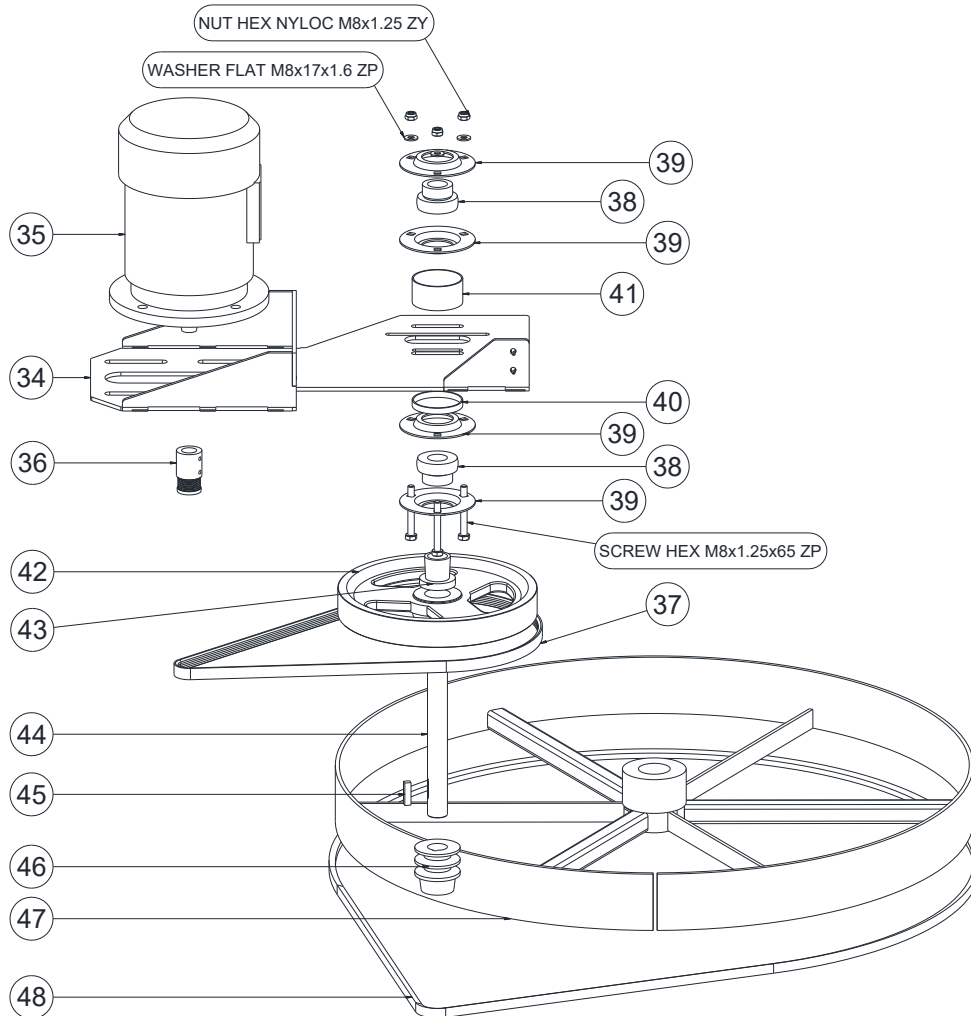
7.2.3 R3M4D1S - Turntables



ITEM	PART NO.	DESCRIPTION
20	307953	TURNTABLE WA STD R3
21	307954	TURNTABLE WA SPLIT R3
22	307245	CARBON HOLDER T/TABLE FORM R3
23	308071	CARBON BEARING T/TABLE KIMWAN R3
24	309338	COOKING WIRE WA 10 BAR R3
25	307971	DRIVE SHAFT 4D1S R3
26	300555	SHAFT COLLAR 45x63HB R3
27	307159	CARBON SEAL OVEN SHAFT 89x89x10 R3
28	308976	CARBON SHAFT END R3
29	307352	BEARING HSG PRESSED PF206 R3
30	305796	SEAL HI-TEMP 85x85x3 NOMINAL
31	300218	BEARING UC209 2NS
32	300245	BEARING HOUSING F209J
112	306328	CERAMIC TILE TRAY 18"
113	302495	CERAMIC TILE 18"

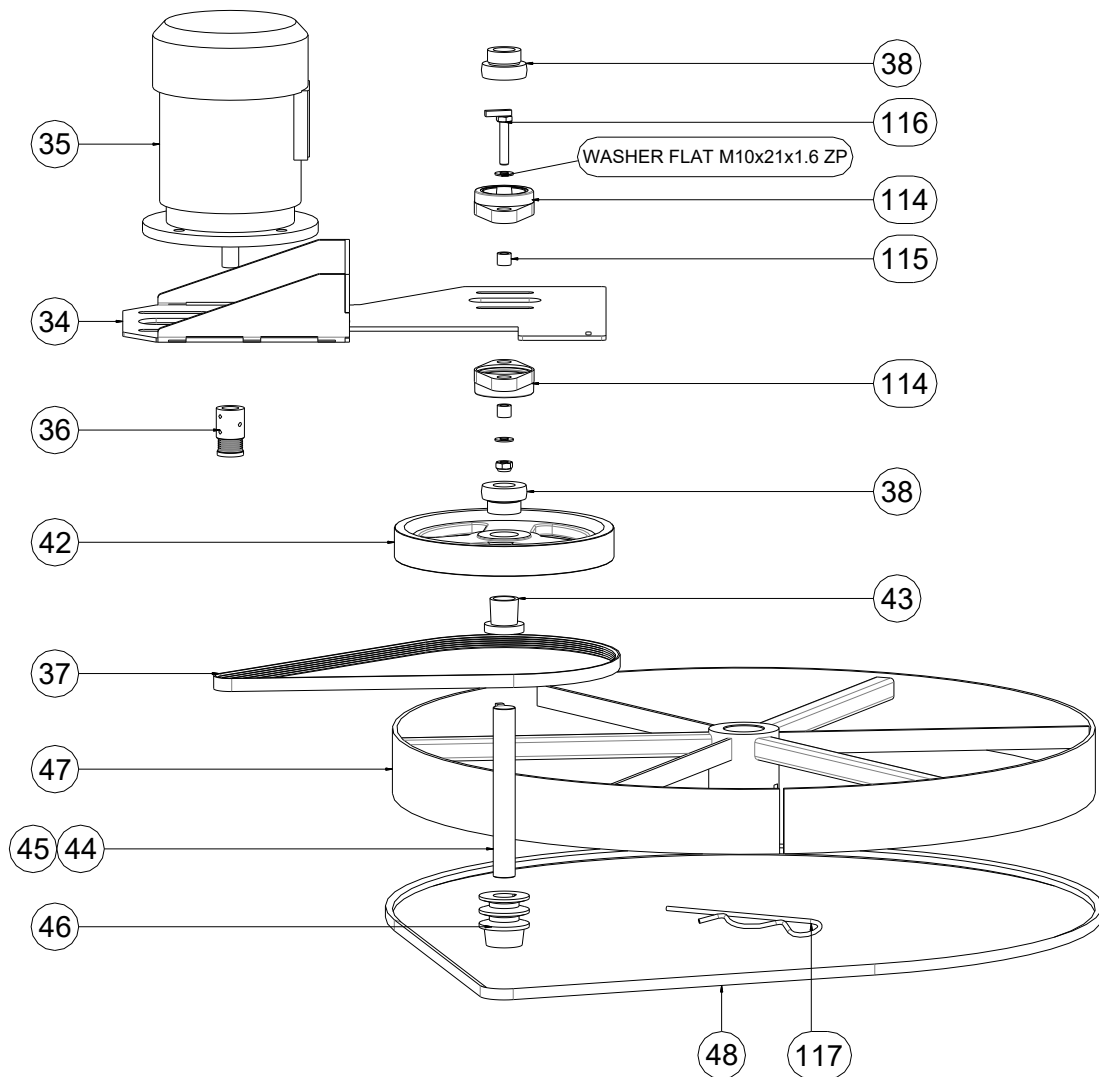
7 Exploded Parts List

7.2.4a R3M4D1S - Drive System - Up to S/N 702442



ITEM	PART NO.	DESCRIPTION
34	307858	MOTOR MOUNT PLATE WA SINGLE R3
35	304373	MOTOR 0.15kW 12 POLE 415V 50Hz
36	307884	PULLEY MOTOR DRIVE R3
37	307816	BELT FLAT POLY-V 470J6 1193mm R3
38	307889	BEARING AEL205D1 CAMLOCK
39	304639	BEARING HOUSEING PF5/PF205 PRESSED
40	307878	SPACER SLEEVE 63.50Dx1.6WTx8mm R3
41	307890	SPACER SLEEVE 63.50Dx1.6WTx32mm R3
42	307887	PULLEY ALUM FLAT 250mm R3
43	303001	ADAPTER SLEEVE H2306 JAPAN
44	307886	COUNTER SHAFT DRIVE R3
45	300115	KEY STEEL 8x7mm 30mm LONG
46	307891	PULLEY 2"x2A 25mm BORE R3
47	308952	DRIVE WHEEL WA R3
48	300188	VBELT A108

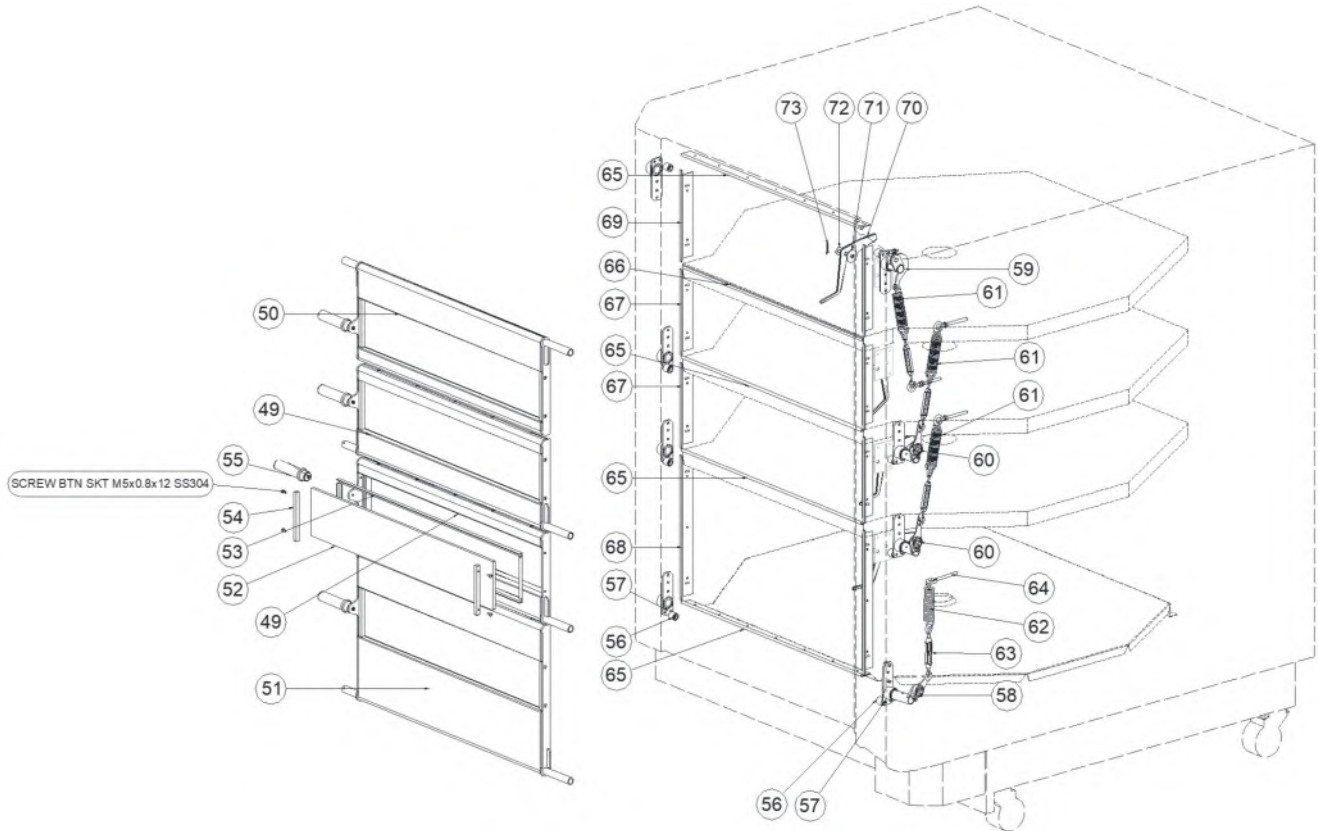
7.2.4b R3M4D1S - Drive System - From S/N 702443



ITEM	PART NO.	DESCRIPTION
34	307858	MOTOR MOUNT PLATE WA SINGLE R3
35	304373	MOTOR 0.15kW 12 POLE 415V 50Hz
36	307884	PULLEY MOTOR DRIVE R3
37	307816	BELT FLAT POLY-V 470J6 1193mm R3
38	307889	BEARING AEL205D1 CAMLOCK
42	307887	PULLEY ALUM FLAT 250mm R3
43	303001	ADAPTER SLEEVE H2306 JAPAN
44	307886	COUNTER SHAFT DRIVE R3
45	300115	KEY STEEL 8x7mm 30mm LONG
46	307891	PULLEY 2"x2A 25mm BORE R3
47	308952	DRIVE WHEEL WA R3
48	300188	VBELT A108
114	303003	BEARING HOUSING FL205J
115	309321	BUSH
116	309322	BOLT ANTI-ROTATE
117	301291	R-CLIP

7 Exploded Parts List

7.2.5 R3M4D1S - Doors

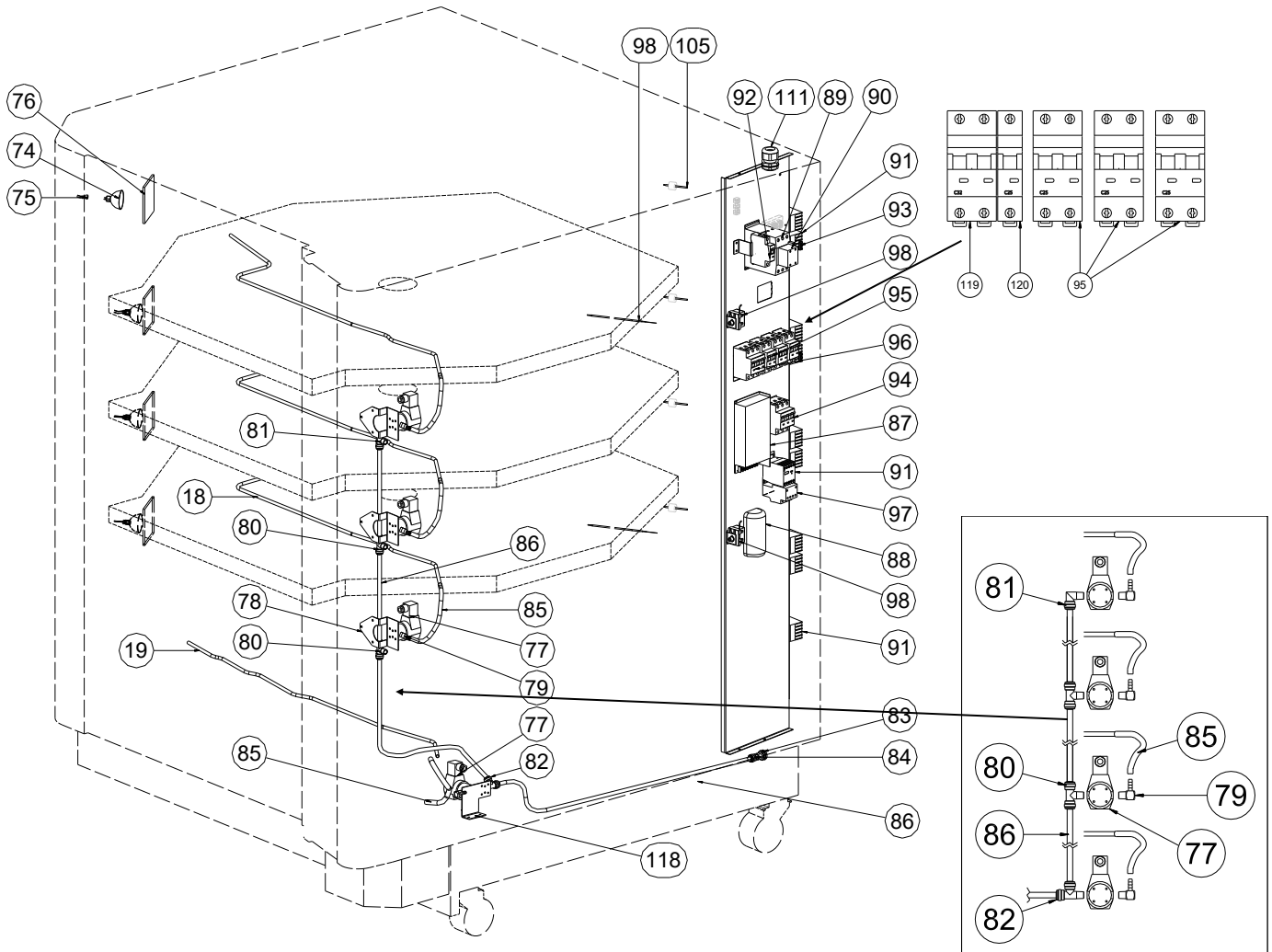


ITEM	PART NO.	DESCRIPTION
49	308743	DOOR ASSY STANDARD LH R3
50	308745	DOOR ASSY HIGH CROWN LH R3
51	308747	DOOR ASSY SPLIT LH R3
52	307984	GLASS 10mm TOUGH 826 x 150 SCREEN R3
53	308782	SEAL Si RUBBER L 12 x 12 x 2 BLACK R3
54	308735	DOOR GLASS CLAMP AL SATIN BLACK R3
55	309109	DOOR HANDLE ASSY R3
55a	410140	SCREW M6 x 25 - up to Ser. No. 1759794
55b	748022	SCREW M8 x 20 - from Ser. No. 1759795
56	308767	DOOR STOP CONCENTRIC R3 (FACTORY)
	308768	DOOR STOP ECCENTRIC R3 (OPTIONAL)
57	307975	HINGE PL CARBON OUTER WA R3
58	309217	HINGE SPRING ARM ASSY SPLIT R3
59	309218	HINGE SPRING ARM ASSY HC R3

ITEM	PART NO.	DESCRIPTION
60	309215	HINGE SPRING ARM ASSY STD R3
61	305478	SPRING TENS 4mm 30 OD x 140 L R3
62	300341	SPRING TENS 5mm 40 OD x 165 L R3
63	301122	TURNBUCKLE 5mm SS (NON SPLIT DECK)
	301118	TURNBUCKLE 6mm SS (SPLIT DECK)
64	309195	EYE BOLT COLLARED M8
65	307901	DOOR SEAL / ROD ASSY 820mm R3
67	307910	SIDE SEAL STD R3
68	307911	SIDE SEAL SPLIT R3
69	307909	SIDE SEAL H/CROWN R3
70	307950	TRAY STOP ARM R3
71	470190	WASHER M12 x 37 x 3 ZP
72	450032	WASHER FLAT M12 x 24 x 1.6 ZP
73	470042	SPLIT PIN 3.2 x 25 ZP

7.2.6A R3M4D1S - Water, Lights and Probes - Electrical Gear Panel

Water System Up To Ser No. 1833684

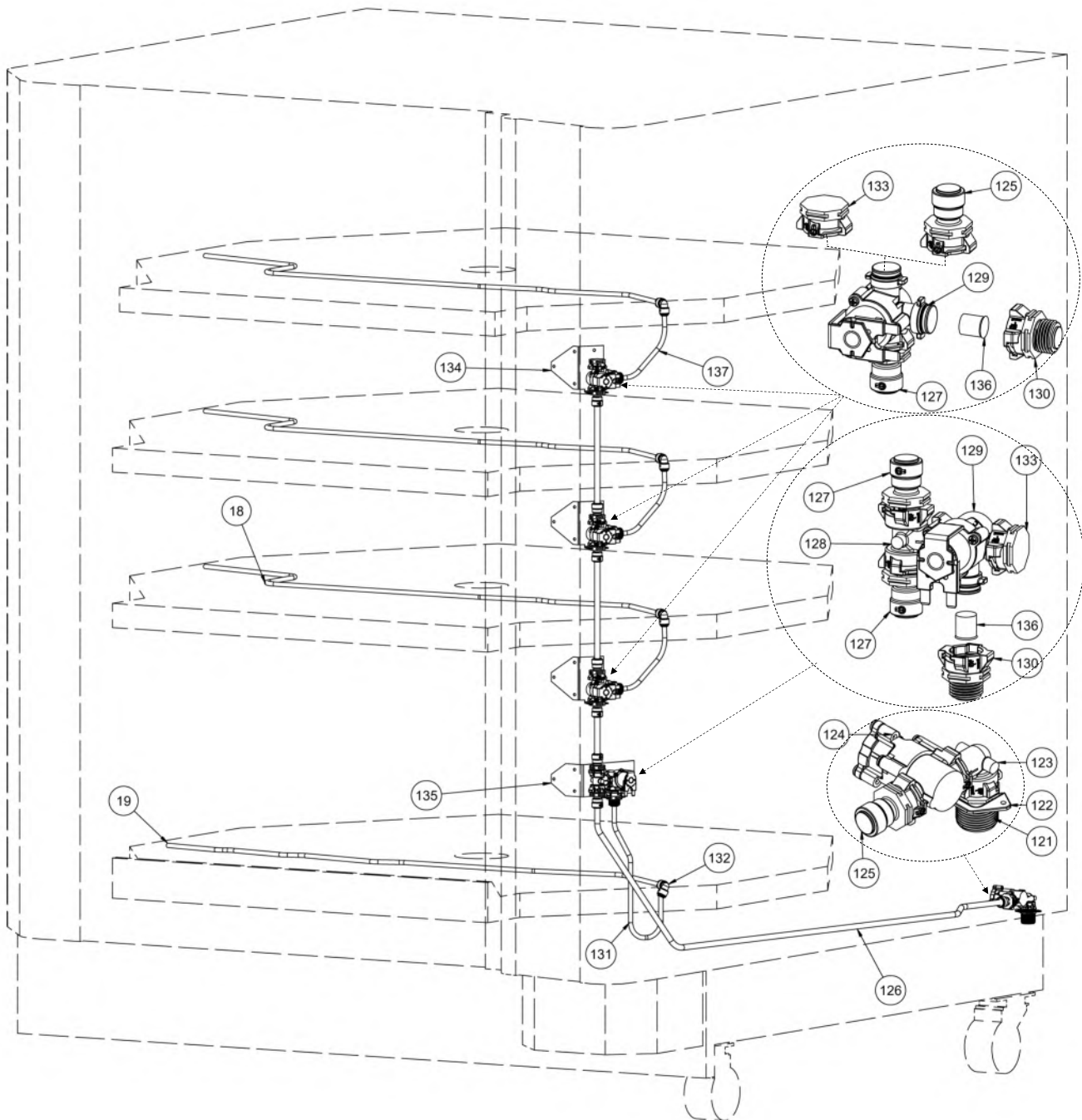


ITEM	PART No.	DESCRIPTION
18	309153	STEAM TUBE STD LH R3
19	309152	STEAM TUBE SPLIT LH R3
74	300488	LAMP DICHROIC 20W 12V PHL14592
75	300489	LAMPHOLDER AND LEADS R3
76	300992	GLASS 5mm CLEAR FLOAT 100 x 100 ROTEL
77	305917	SOLENOID VALVE 1/4 24V DC CE
78	307866	SOLENOID BKT R3
79	301516	FITTING ELBOW 1/4BSP x 1/4 BARB
80	301522	FITTING RAPID TEE MALE 10/8 1/4BSP 10/8
81	301521	FITTING RAPID ELBOW 10/8 1/4BSP
82	301519	FITTING RAPID TEE STEM 10/8 10/8 1/4BSP
83	301523	FITTING BULKHD OD 1/2 BSP ID 1/4 BSP
84	301518	FITTING RAPID STRAIGHT 10/8 1/4BSP
85	301515	HOSE 1/4 DIA 250PSI RED
86	301511	TUBE 10x8mm NYLON NATURAL
87	306360	POWER SUPPLY 150W 24VDC R3

ITEM	PART No.	DESCRIPTION
88	300138	TRANSFORMER 105VA 240/12V
89	309126	CONTACTOR 3 POLE DILM50 240V AC
90	309127	AUXILIARY CONTACT DILM150-XHI11
91	308155	CONTACTOR AUX N/O DILM7-10 3kW 24V DC 20A
92	305886	CIRCUIT BREAKER PLSM-C10/1-AU
93	300135	STAR POINT BRIDGE DILM12-XS1
94	305033	CIRCUIT BREAKER PLS6-C10/3
95	306813	CIRCUIT BREAKER PLS6-C25/2
96	304472	CIRCUIT BREAKER PLS6-C32/3 (to Ser. No. 728418)
97	306924	OVERLOAD RELAY ZB12 1.6
98	025400	OVERTEMP THERMOSTAT 360C
105	308199	THERMOCOUPLE WIRE TW-K20-G/G
111	305531	CABLE GLAND M32 BLACK NYLON
118	309251	SOLENOID BRACKET BOTTOM
119	307883	CIRCUIT BREAKER PLS6-C32/2 (from Ser. No. 728419)
120	300391	CIRCUIT BREAKER PLS6-C25/1 (from Ser. No. 728419)

7 Exploded Parts List

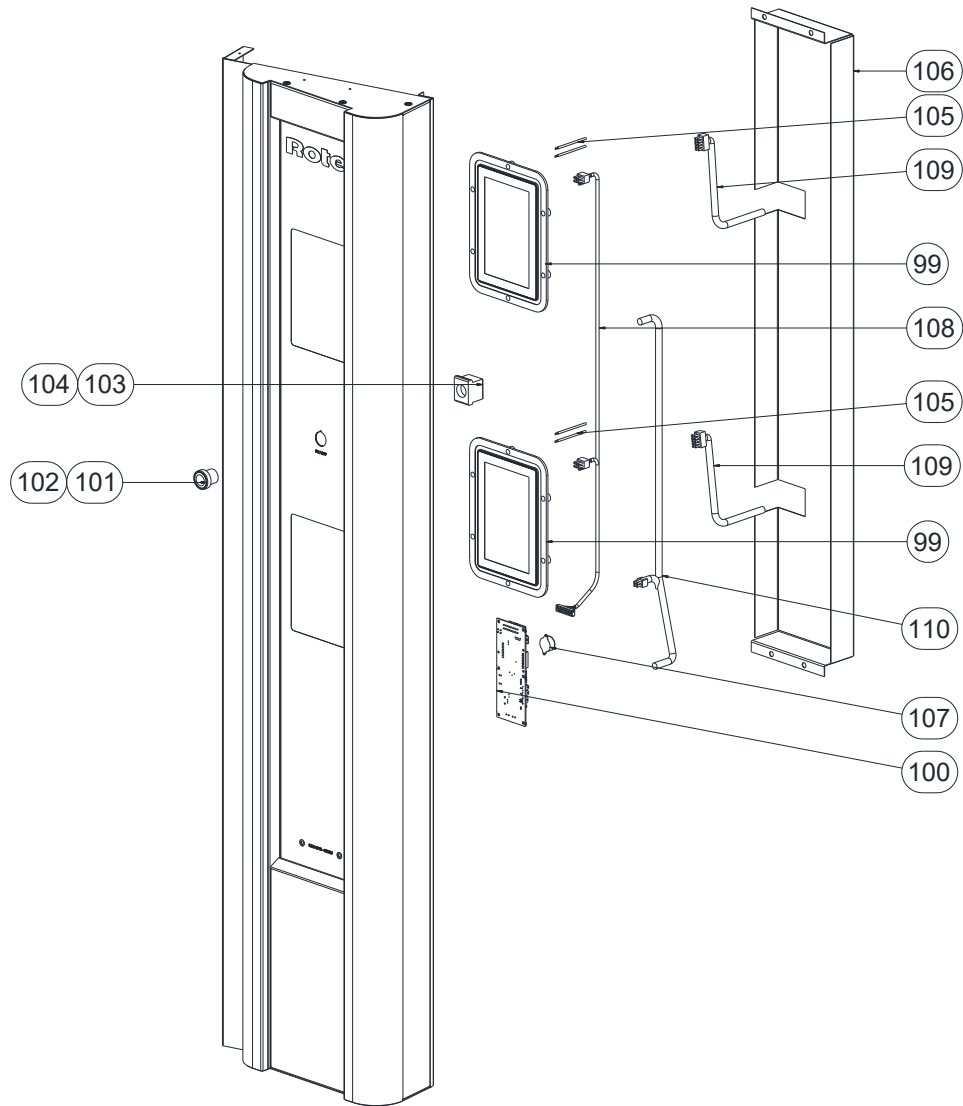
7.2.6B R3M4D1S - Water System From Ser No. 1833685



ITEM	PART NO.	DESCRIPTION
18	309153	STEAM TUBE STD LH R3
19	309152	STEAM TUBE SPLIT LH R3
121	245317	FITTING UNV, INLET 3/4" M
122	245316	R.P.E. MTG BRKT
123	245321	FITTING UNV ELBOW
124	245318	PRESSURE REDUCER UNV 1.2BAR BODY A
125	245319	FITTING UNV, OUTLET JG 10mm
126	245327	WATER TUBE 10mm OD 1450mm
127	245320	FITTING UNV INLET JG 10mm

ITEM	PART NO.	DESCRIPTION
128	245520	FITTING UNV T (F-M-F)
129	245322	SOLENOID UNV 24VDC NC BODY C
130	245324	FITTING UNV OUTLET JG 8mm
131	245331	WATER TUBE 8mm OD 450mm
132	245326	ELBOW SUPERSEAL JG 5/16"
133	245325	FITTING UNV OUTLET CAP
134	245279	WATER SOLENOID BRACKET R3
135	245338	WATER SOLENOID BRACKET BOTTOM R3
136	245323	FLOW RESTRICTOR UNV OUTLET BLACK
137	245330	WATER TUBE 8mm OD 210mm

7.2.7 R3M4D1S - Control Panel

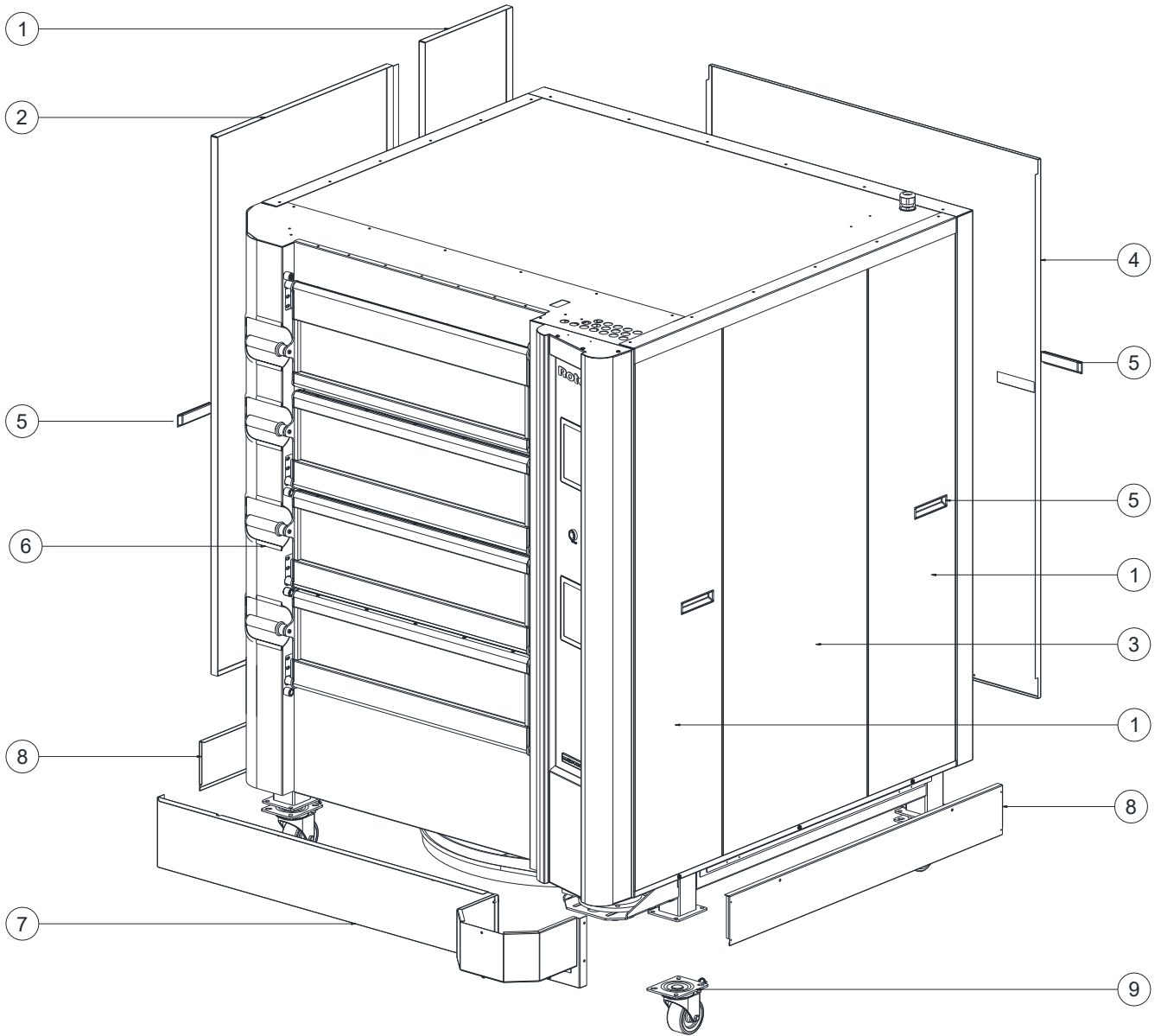


ITEM	PART NO.	DESCRIPTION
99	307787	CONTROLLER AND SCREEN ATBR3DC R3
100	307797	DISTRIBUTION BOARD ATBR3DB R3
101	309115	PUSH BUTTON FLUSH BLUE ILLUM M22-DRL-B
102	309116	LED BLUE 12-30V AC/DC M22-LED-B
103	302644	PUSH BUTTON ADAPTOR M22-A
104	302704	CONTACT ELEMENT N/O M22-K10
105	308199	THERMOCOUPLE WIRE TW-K20-G/G
106	309184	CONTROLLER COVER SINGLE
107	309104	BUZZER 3-28V DC 85dB CONT KPEG260 R3
108	307881	WIRING HARNESS CONTROL DISTRIBN SINGLE R3
109	309160	WIRING HARNESS CONTROL I/O SINGLE R3
110	309162	WIRING HARNESS CONTROL POWER SINGLE R3

7 Exploded Parts List

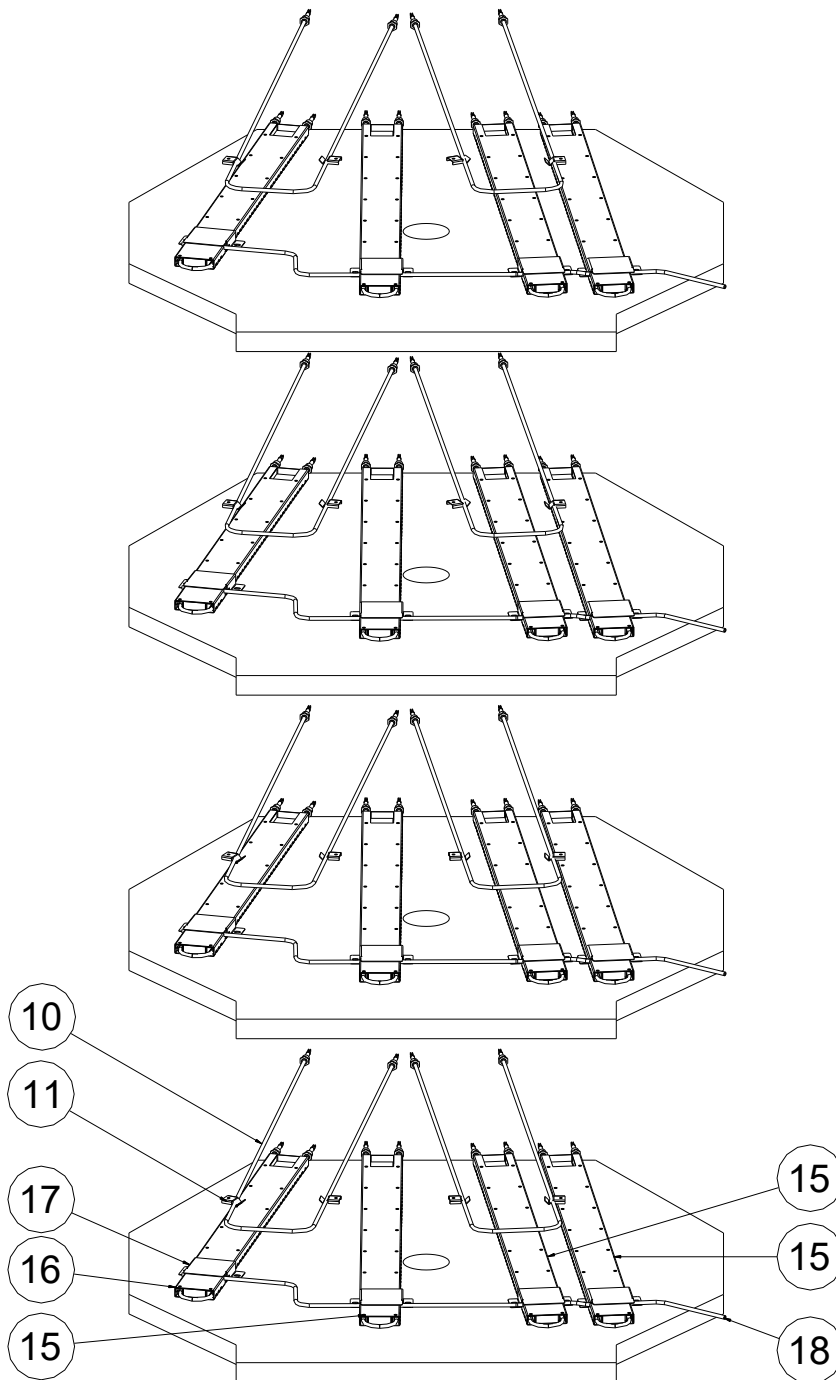
7.3 R3M4DHC

7.3.1 R3M4DHC - External Panels



ITEM	PART NO.	DESCRIPTION
1	308710	SIDE PANEL SMALL R3
2	307993	SIDE PANEL LARGE R3
3	308711	SIDE PANEL RH SINGLE R3
4	308722	BACK PANEL R3
5	300769	HANDLE POCKET P2-54 BLACK
6	309064	SCALLOP MOULDING R3
7	309105	SKIRT FRONT ASSY R3 SINGLE
8	308752	SKIRT SIDE R3
9	307983	CASTOR S4494PS WHEEL PS4479 W\LOCK R3
Not Shown	301682	SCRAPER WA ROTEL
Not Shown	305776	BRUSH & HANDLE ASSY PLASTIC ROTEL

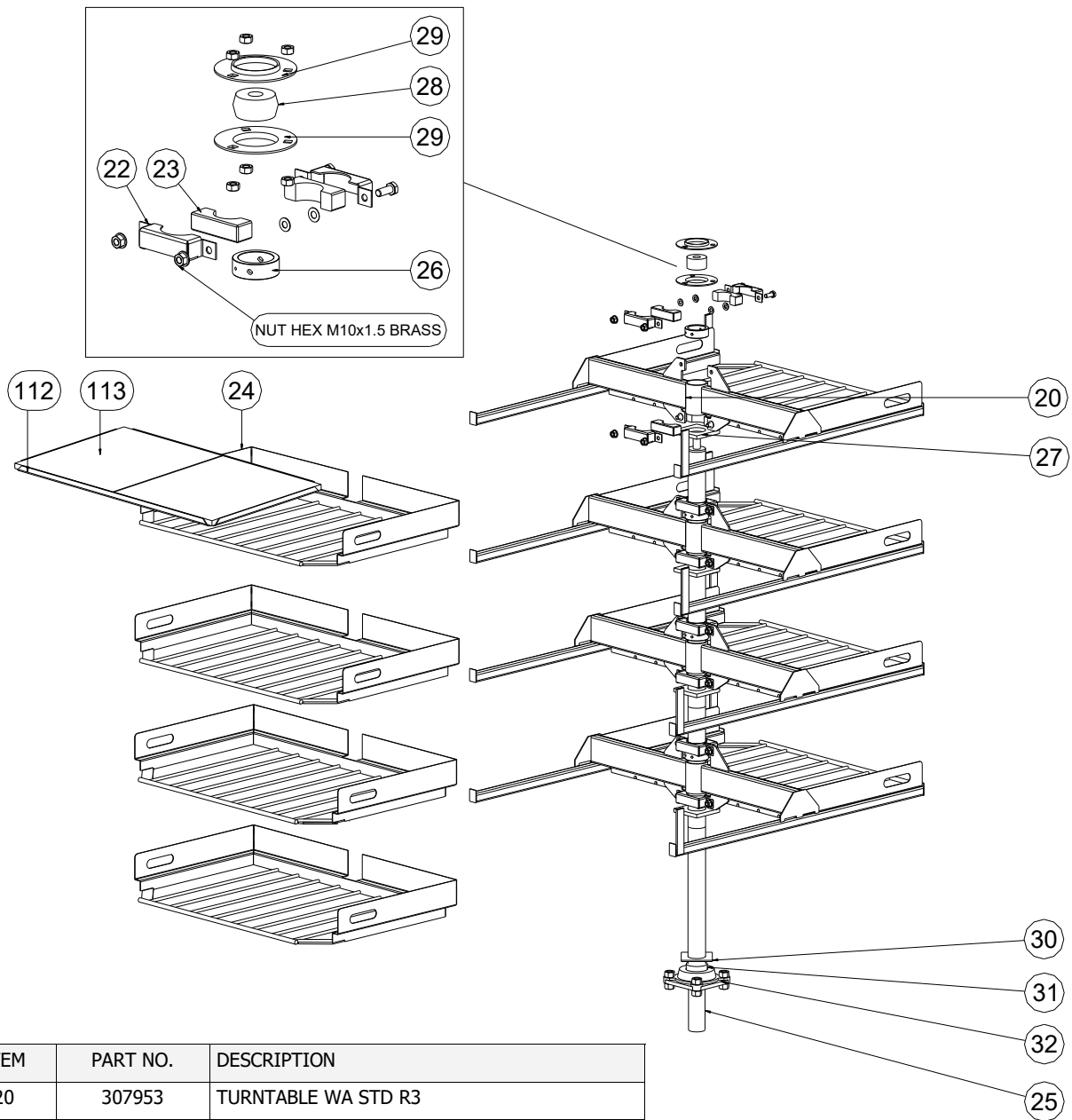
7.3.2 R3M4DHC - Elements / Steam



ITEM	PART NO.	DESCRIPTION
10	305737	ELEMENT 800W 240V R3
11	307125	ELEMENT HOLDER ROOF R3
15	309191	STEAM GEN ASSY 1100W R3 INCLUDES ELEMENT
16	309192	STEAM GEN ASSY 900W R3 INCLUDES ELEMENT
17	307905	STEAM GEN CLAMP R3
18	309153	STEAM TUBE STD LH R3

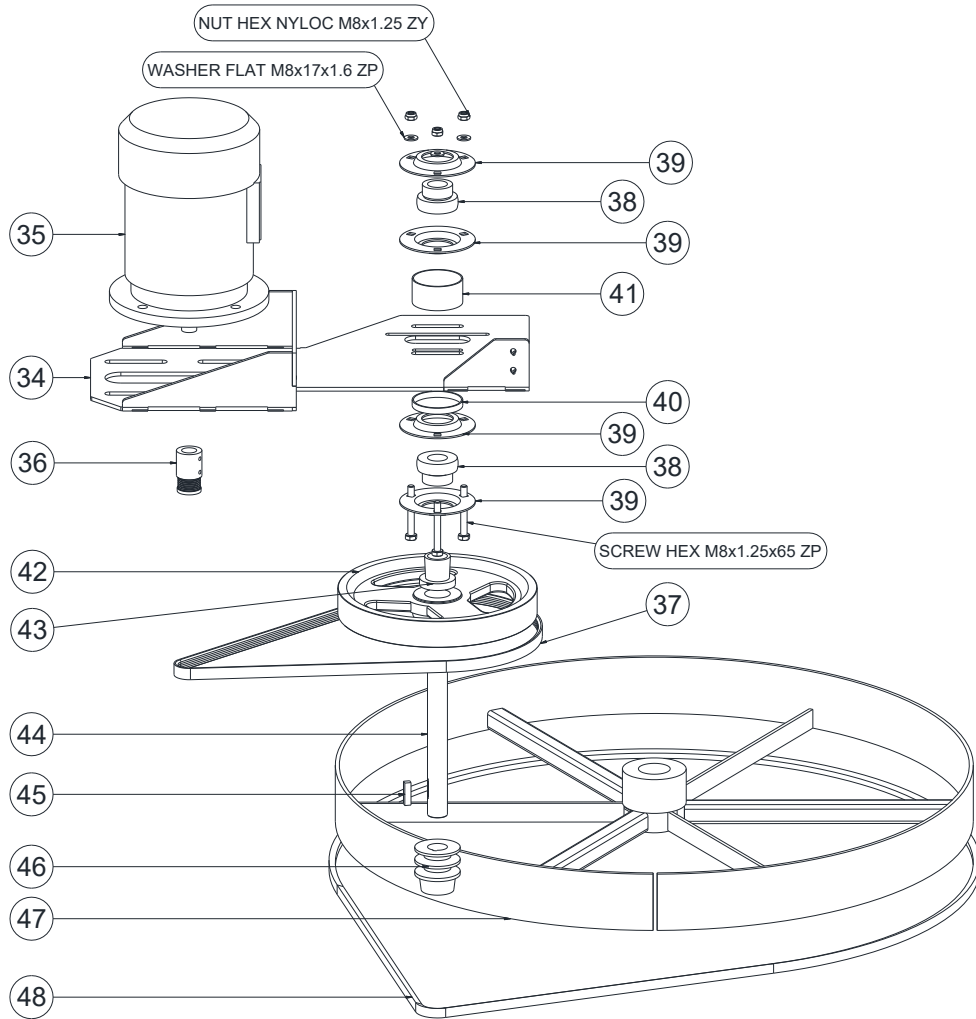
7 Exploded Parts List

7.3.3 R3M4DHC - Turntables



ITEM	PART NO.	DESCRIPTION
20	307953	TURNTABLE WA STD R3
22	307245	CARBON HOLDER T/TABLE FORM R3
23	308071	CARBON BEARING T/TABLE KIMWAN R3
24	309338	COOKING WIRE WA 10 BAR R3
25	309309	DRIVE SHAFT 4DHC R3
26	300555	SHAFT COLLAR 45x63HB R3
27	307159	CARBON SEAL OVEN SHAFT 89x89x10 R3
28	308976	CARBON SHAFT END R3
29	307352	BEARING HSG PRESSED PF206 R3
30	305796	SEAL HI-TEMP 85x85x3 NOMINAL
31	300218	BEARING UC209 2NS
32	300245	BEARING HOUSING F209J
112	306328	CERAMIC TILE TRAY 18"
113	302495	CERAMIC TILE 18"

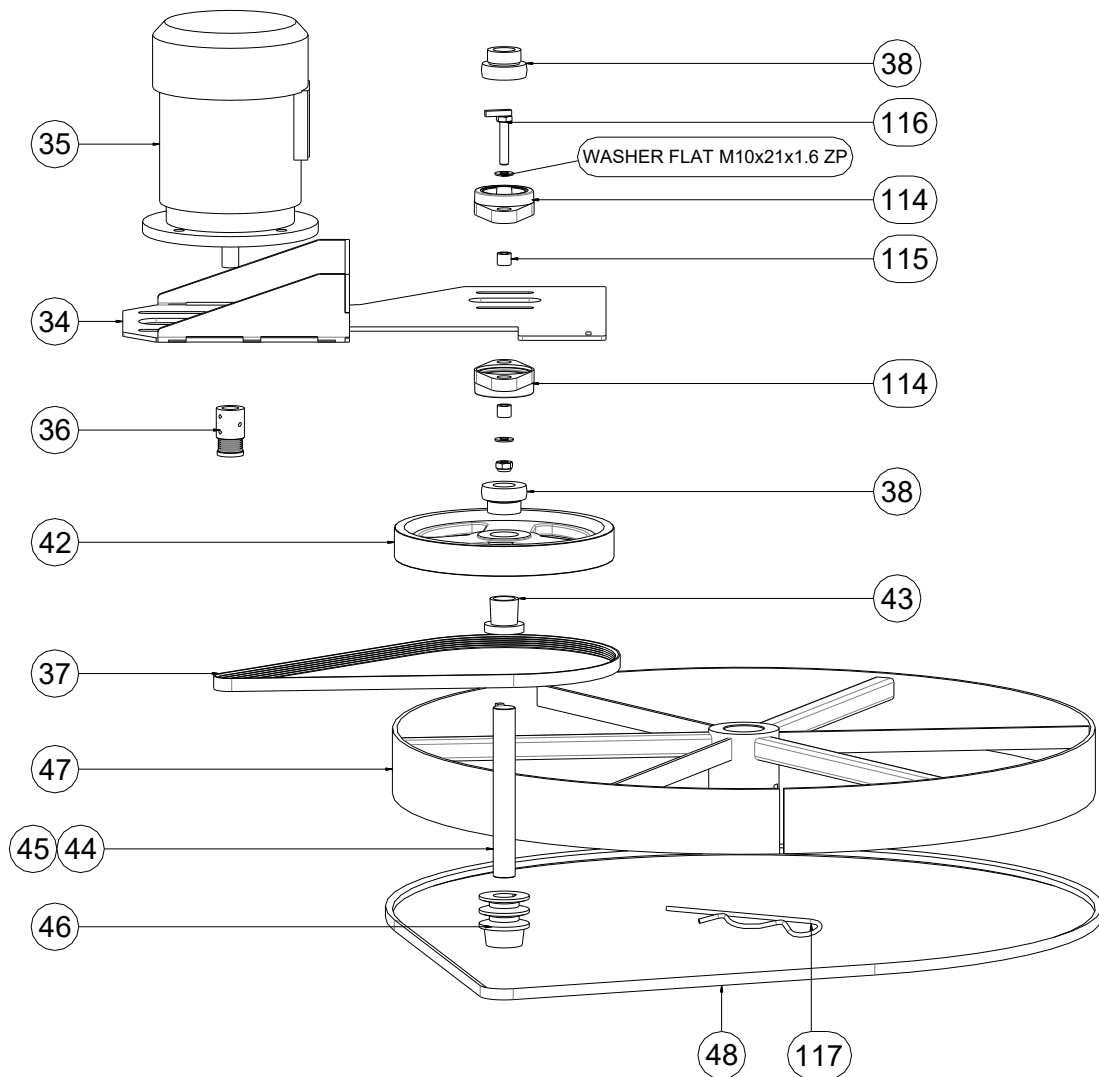
7.3.4A R3M4DHC - Drive System - Up to S/N 702442



ITEM	PART NO.	DESCRIPTION
34	307858	MOTOR MOUNT PLATE WA SINGLE R3
35	304373	MOTOR 0.15kW 12 POLE 415V 50Hz
36	307884	PULLEY MOTOR DRIVE R3
37	307816	BELT FLAT POLY-V 470J6 1193mm R3
38	307889	BEARING AEL205D1 CAMLOCK
39	304639	BEARING HOUSEING PF5/PF205 PRESSED
40	307878	SPACER SLEEVE 63.50Dx1.6WTx8mm R3
41	307890	SPACER SLEEVE 63.50Dx1.6WTx32mm R3
42	307887	PULLEY ALUM FLAT 250mm R3
43	303001	ADAPTER SLEEVE H2306 JAPAN
44	307886	COUNTER SHAFT DRIVE R3
45	300115	KEY STEEL 8x7mm 30mm LONG
46	307891	PULLEY 2"x2A 25mm BORE R3
47	308952	DRIVE WHEEL WA R3
48	300188	VBELT A108

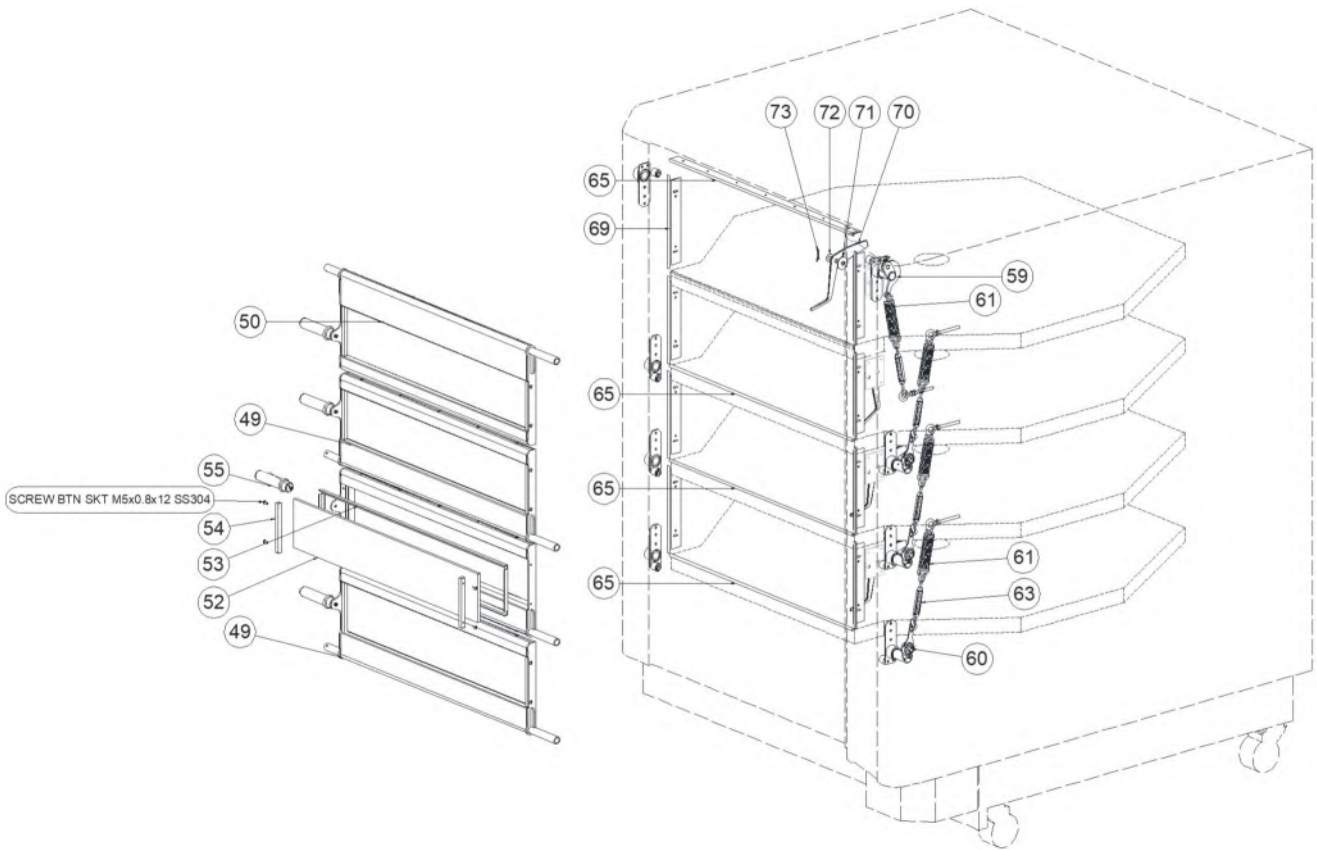
7 Exploded Parts List

7.3.4b R3M4DHC - Drive System - From S/N 702443



ITEM	PART NO.	DESCRIPTION
34	307858	MOTOR MOUNT PLATE WA SINGLE R3
35	304373	MOTOR 0.15kW 12 POLE 415V 50Hz
36	307884	PULLEY MOTOR DRIVE R3
37	307816	BELT FLAT POLY-V 470J6 1193mm R3
38	307889	BEARING AEL205D1 CAMLOCK
42	307887	PULLEY ALUM FLAT 250mm R3
43	303001	ADAPTER SLEEVE H2306 JAPAN
44	307886	COUNTER SHAFT DRIVE R3
45	300115	KEY STEEL 8x7mm 30mm LONG
46	307891	PULLEY 2"x2A 25mm BORE R3
47	308952	DRIVE WHEEL WA R3
48	300188	VBELT A108
114	303003	BEARING HOUSING FL205J
115	309321	BUSH
116	309322	BOLT ANTI-ROTATE
117	301291	R-CLIP

7.3.5 R3M4DHC - Doors



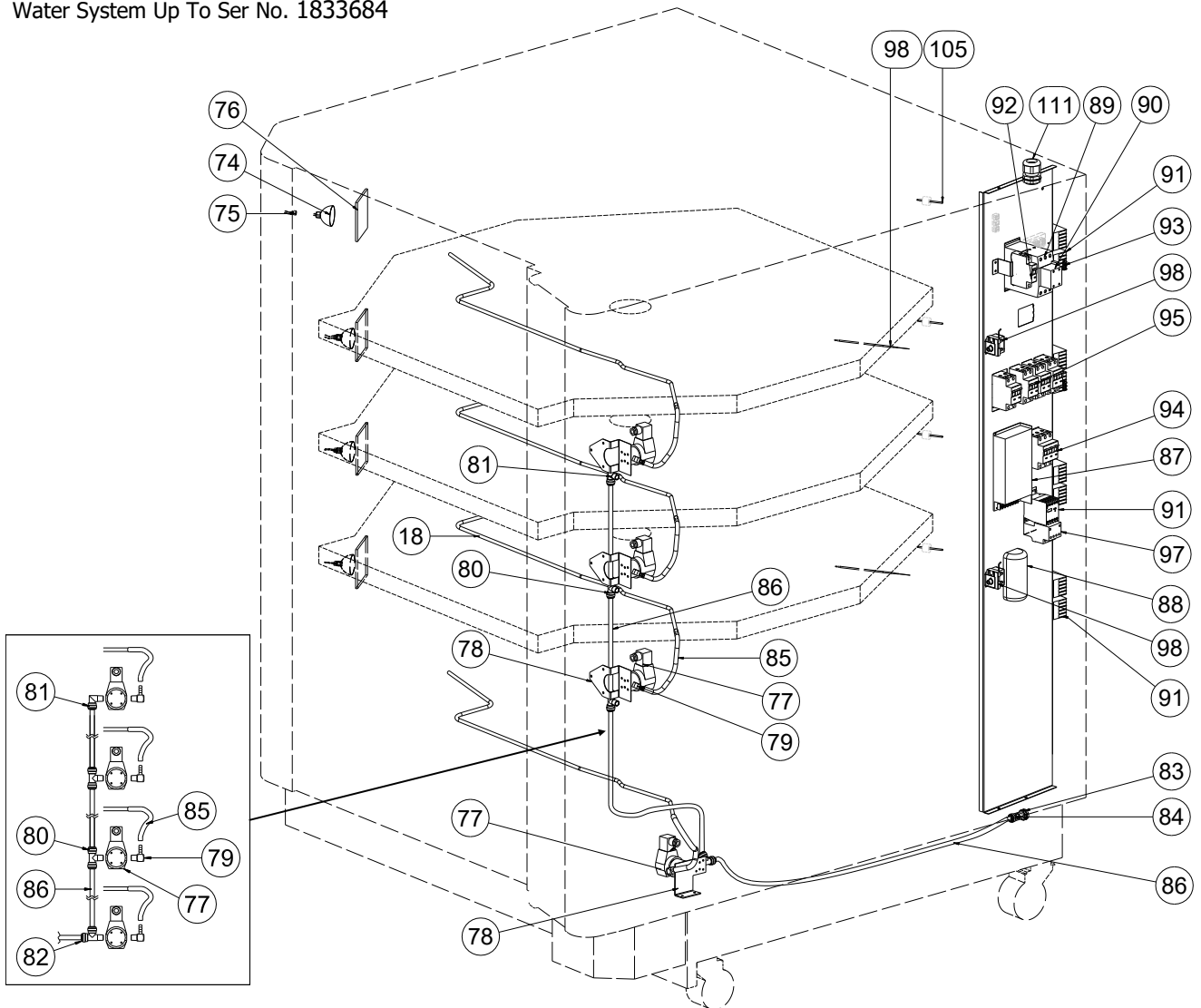
ITEM	PART NO.	DESCRIPTION
49	308746	DOOR ASSY HIGH CROWN R3 BOTTOM HINGE
50	308745	DOOR ASSY HIGH CROWN R3 TOP HINGE
52	307984	GLASS 10mm TOUGH 826 x 150 SCREEN R3
53	308782	SEAL Si RUBBER L 12 x 12 x 2 BLACK R3
54	308735	DOOR GLASS CLAMP AL SATIN BLACK R3
55	309109	DOOR HANDLE ASSY R3
55a	410140	SCREW M6 x 25 - up to Ser. No. 1759794
55b	748022	SCREW M8 x 20 - from Ser. No. 1759795
56	308767	DOOR STOP CONCENTRIC R3 (FACTORY)
	308768	DOOR STOP ECCENTRIC R3 (OPTIONAL)
57	307975	HINGE PL CARBON OUTER WA R3

ITEM	PART NO.	DESCRIPTION
59	309218	HINGE SPRING ARM ASSY HC R3
60	309215	HINGE SPRING ARM ASSY STD R3
61	305478	SPRING TENS 4mm 30 OD x 140 L R3
63	301122	TURNBUCKLE 5mm SS (NON SPLIT DECK)
64	309195	EYE BOLT COLLARED M8
65	307901	DOOR SEAL / ROD ASSY 820mm R3
69	307909	SIDE SEAL H/CROWN R3
70	307950	TRAY STOP ARM R3
71	470190	WASHER M12 x 37 x 3 ZP
72	450032	WASHER FLAT M12 x 24 x 1.6 ZP
73	470042	SPLIT PIN 3.2 x 25 ZP

7 Exploded Parts List

7.3.6A R3M4DHC - Water, Lights and Probes - Electrical Gear Panel

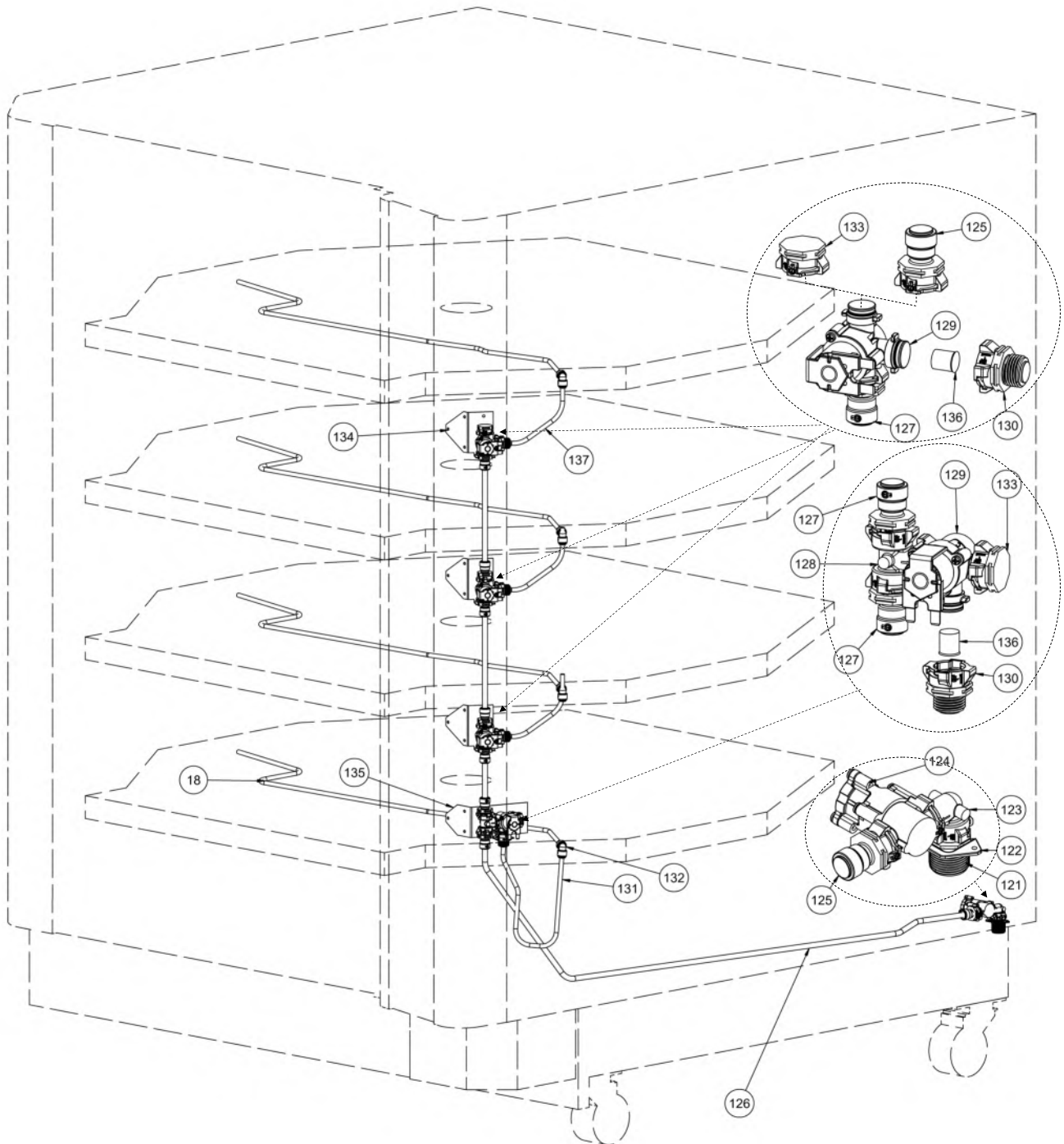
Water System Up To Ser No. 1833684



ITEM	PART NO.	DESCRIPTION
18	309153	STEAM TUBE STD LH R3
74	300488	LAMP DICHROIC 20W 12V PHL14592
75	300489	LAMPHOLDER AND LEADS R3
76	300992	GLASS 5mm CLEAR FLOAT 100x100 ROTEL
77	305917	SOLENOID VALVE 1/4 24V DC CE
78	307866	SOLENOID BKT R3
79	301516	FITTING ELBOW 1/4BSPx1/4 BARB
80	301522	FITTING RAPID TEE MALE 10/8 1/4BSP 10/8
81	301521	FITTING RAPID ELBOW 10/8 1/4BSP
82	301519	FITTING RAPID TEE STEM 10/8 10/8 1/4BSP
83	301523	FITTING BULKHD OD 1/2 BSP ID 1/4 BSP
84	301518	FITTING RAPID STRAIGHT 10/8 1/4BSP
85	301515	HOSE 1/4 DIA 250PSI RED
86	301511	TUBE 10x8mm NYLON NATURAL

ITEM	PART NO.	DESCRIPTION
87	306360	POWER SUPPLY 150W 24VDC R3
88	300138	TRANSFORMER 105VA 240/12V
89	309126	CONTACTOR 3 POLE DILM50 240V AC
90	309127	AUXILIARY CONTACT DILM150-XHI11
91	308155	CONTACTOR AUX N/O DILM7-10 3KW 24V DC 20A
92	305886	CIRCUIT BREAKER PLSM-C10/1-AU
93	300135	STAR POINT BRIDGE DILM12-XS1
94	305033	CIRCUIT BREAKER PLS6-C10/3
95	306813	CIRCUIT BREAKER PLS6-C25/2
97	306924	OVERLOAD RELAY ZB12 1.6
98	025400	OVERTEMP THERMOSTAT 360C
105	308199	THERMOCOUPLE WIRE TW-K20-G/G
111	305531	CABLE GLAND M32 BLACK NYLON

7.3.6B R3M4DHC - Water System From Ser No. 1833685

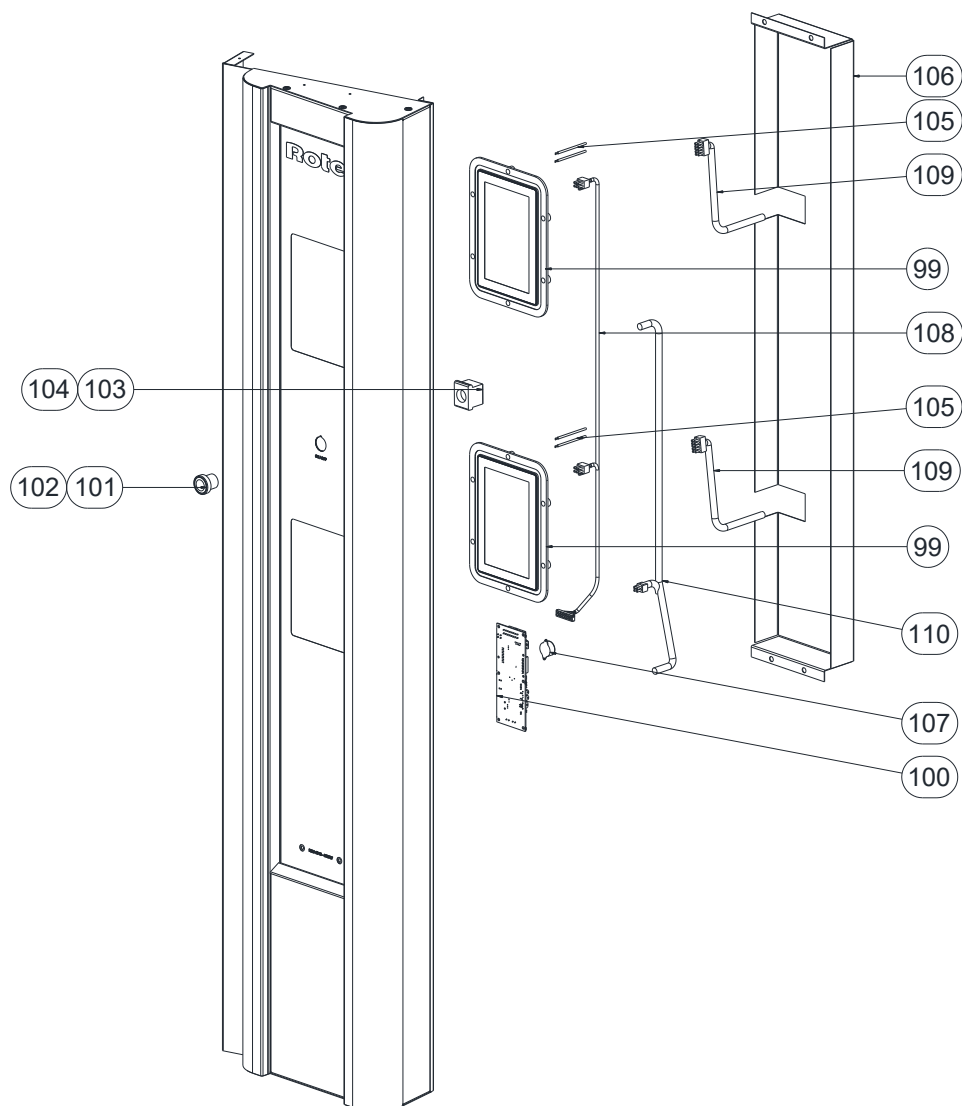


ITEM	PART NO.	DESCRIPTION
18	309153	STEAM TUBE STD LH R3
121	245317	FITTING UNV, INLET 3/4" M
122	245316	R.P.E. MTG BRKT
123	245321	FITTING UNV ELBOW
124	245318	PRESSURE REDUCER UNV 1.2BAR BODY A
125	245319	FITTING UNV, OUTLET JG 10mm
126	245327	WATER TUBE 10mm OD 1450mm
127	245320	FITTING UNV INLET JG 10mm
128	245520	FITTING UNV T (F-M-F)

ITEM	PART NO.	DESCRIPTION
129	245322	SOLENOID UNV 24VDC NC BODY C
130	245324	FITTING UNV OUTLET JG 8mm
131	245331	WATER TUBE 8mm OD 450mm
132	245326	ELBOW SUPERSEAL JG 5/16"
133	245325	FITTING UNV OUTLET CAP
134	245279	WATER SOLENOID BRACKET R3
135	245338	WATER SOLENOID BRACKET BOTTOM R3
136	245323	FLOW RESTRICTOR UNV OUTLET BLACK
137	245330	WATER TUBE 8mm OD 210mm

7 Exploded Parts List

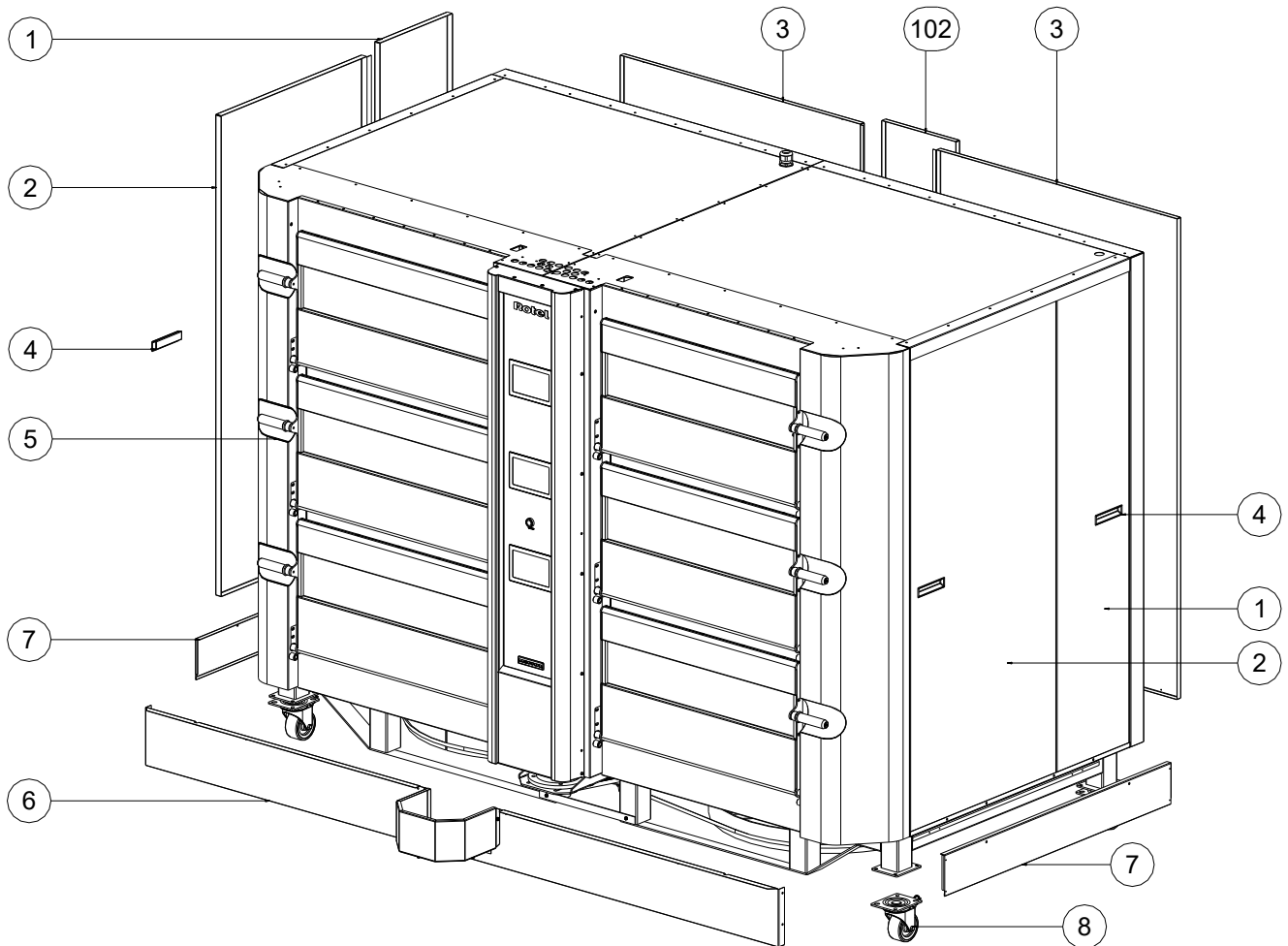
7.3.7 R3M4DHC - Control Panel



ITEM	PART NO.	DESCRIPTION
99	307787	CONTROLLER AND SCREEN ATBR3DC R3
100	307797	DISTRIBUTION BOARD ATBR3DB R3
101	309115	PUSH BUTTON FLUSH BLUE ILLUM M22-DRL-B
102	309116	LED BLUE 12-30V AC/DC M22-LED-B
103	302644	PUSH BUTTON ADAPTOR M22-A
104	302704	CONTACT ELEMENT N/O M22-K10
105	308199	THERMOCOUPLE WIRE TW-K20-G/G
106	309184	CONTROLLER COVER SINGLE
107	309104	BUZZER 3-28V DC 85dB CONT KPEG260 R3
108	307881	WIRING HARNESS CONTROL DISTRIBN SINGLE R3
109	309160	WIRING HARNESS CONTROL I/O SINGLE R3
110	309162	WIRING HARNESS CONTROL POWER SINGLE R3

7.4 R33D3S

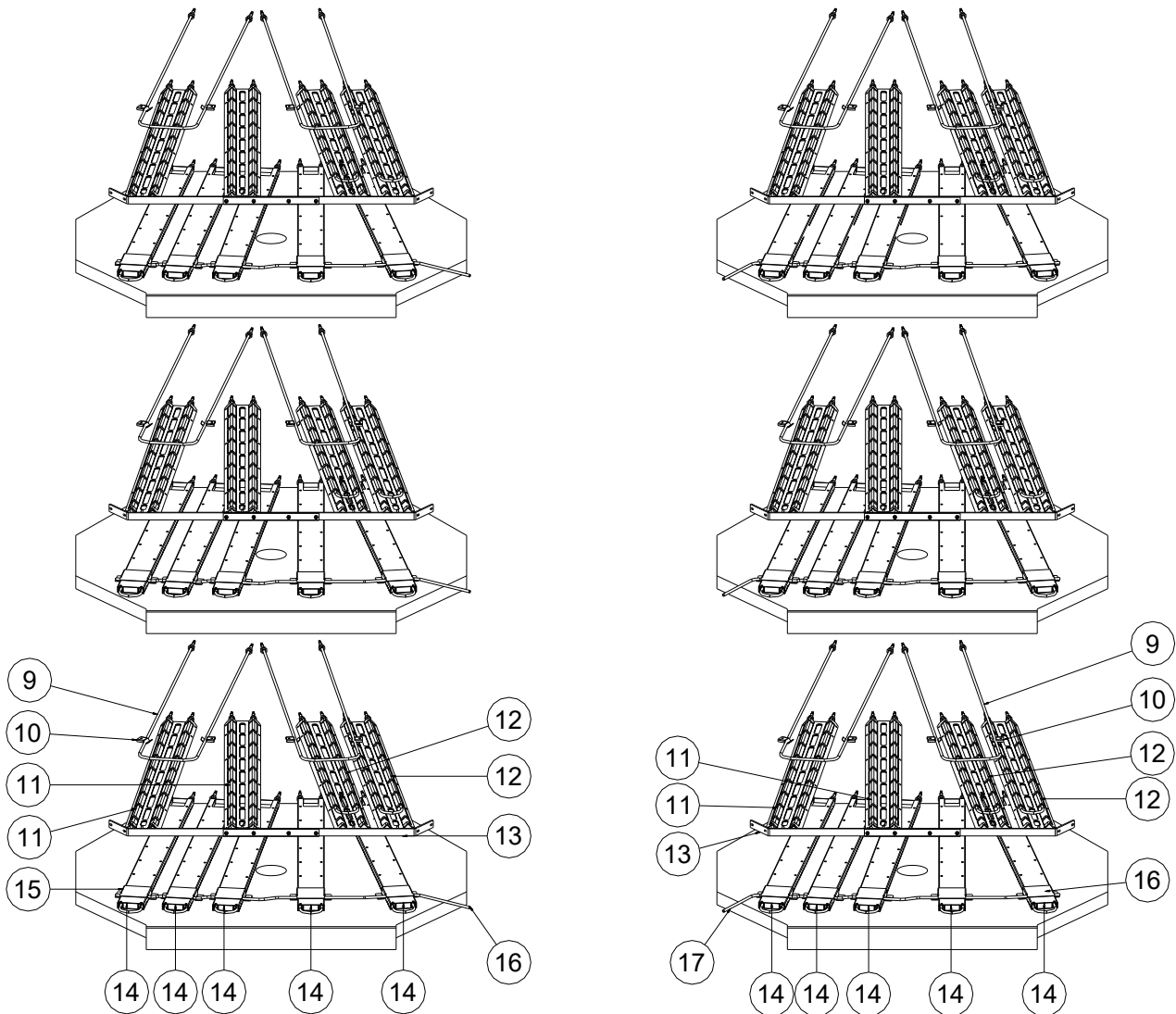
7.4.1 R33D3S - External Panels



ITEM	PART NO.	DESCRIPTION
1	308717	SIDE PANEL SMALL 3D3S R3
2	308713	SIDE PANEL LARGE 3D3S R3
3	309229	BACK PANEL 3D3S TWIN R3
4	300769	HANDLE POCKET P2-54 BLACK
5	309064	SCALLOP MOULDING R3
6	309106	SKIRT FRONT SET R3 TWIN
7	308752	SKIRT SIDE R3
8	307983	CASTOR S4494PS WHEEL PS4479 W\LOCK R3
102	309230	SWITCHBOARD COVER 3D3S TWIN R3
Not Shown	301682	SCRAPER WA ROTEL
Not Shown	305776	BRUSH & HANDLE ASSY PLASTIC ROTEL

7 Exploded Parts List

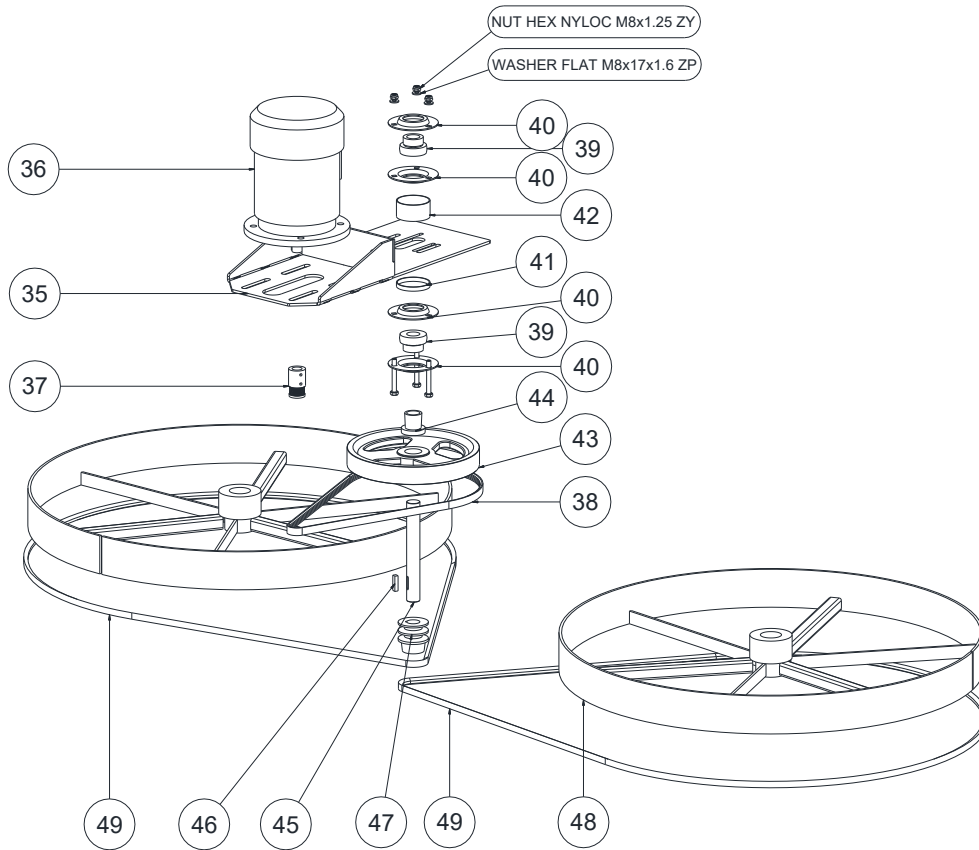
7.4.2 R33D3S - Elements / Steam



ITEM	PART NO.	DESCRIPTION
9	305737	ELEMENT 800W 240V R3
10	307125	ELEMENT HOLDER ROOF R3
11	309193	ELEMENT ASSY MIDDLE 1100W R3
12	309194	ELEMENT ASSY MIDDLE 900W R3
13	307908	ELEMENT SUPPORT FRAME WA R3
14	309191	STEAM GEN ASSY 1100W R3 INCLUDES ELEMENT
15	307905	STEAM GEN CLAMP R3
16	309152	STEAM TUBE SPLIT LH R3
17	309154	STEAM TUBE SPLIT RH R3

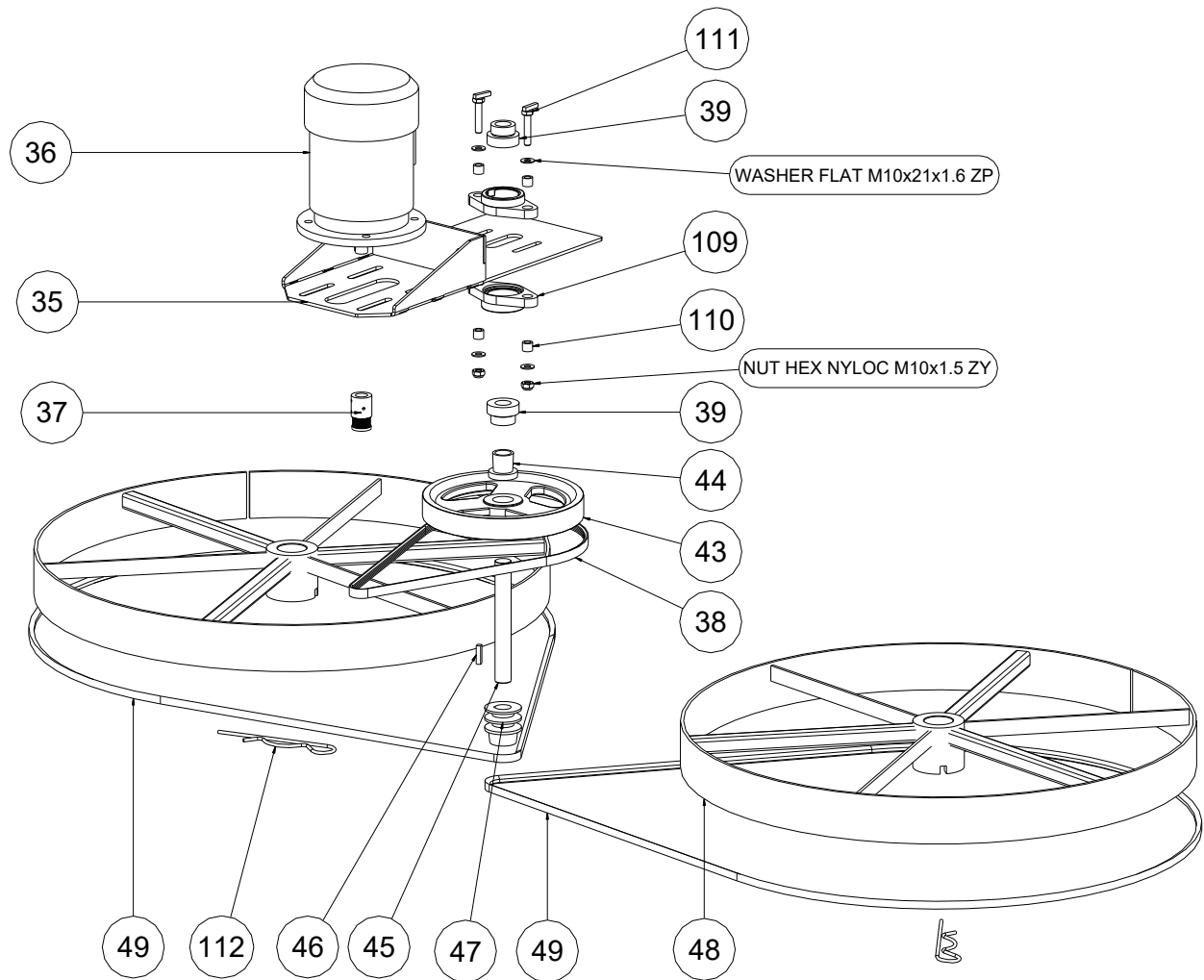
7 Exploded Parts List

7.4.4a R33D3S - Drive System - Up to S/N 689358



ITEM	PART NO.	DESCRIPTION
35	309095	MOTOR MOUNT PLATE WA TWIN R3
36	304373	MOTOR 0.15kW 12 POLE 415V 50Hz
37	307884	PULLEY MOTOR DRIVE R3
38	309203	BELT FLAT POLY-V 460J6 1168mm R3
39	307889	BEARING AEL205D1 CAMLOCK
40	304639	BEARING HOUSING PF5/PF205 PRESSED
41	307878	SPACER SLEEVE 63.50Dx1.6WTx8mm R3
42	307890	SPACER SLEEVE 63.50Dx1.6WTx32mm R3
43	307887	PULLEY ALUM FLAT 250mm R3
44	303001	ADAPTER SLEEVE H2306 JAPAN
45	307886	COUNTER SHAFT DRIVE R3
46	300115	KEY STEEL 8x7mm 30mm LONG
47	307891	PULLEY 2"x2A 25mm BORE R3
48	308952	DRIVE WHEEL WA R3
49	300190	VBELT A116

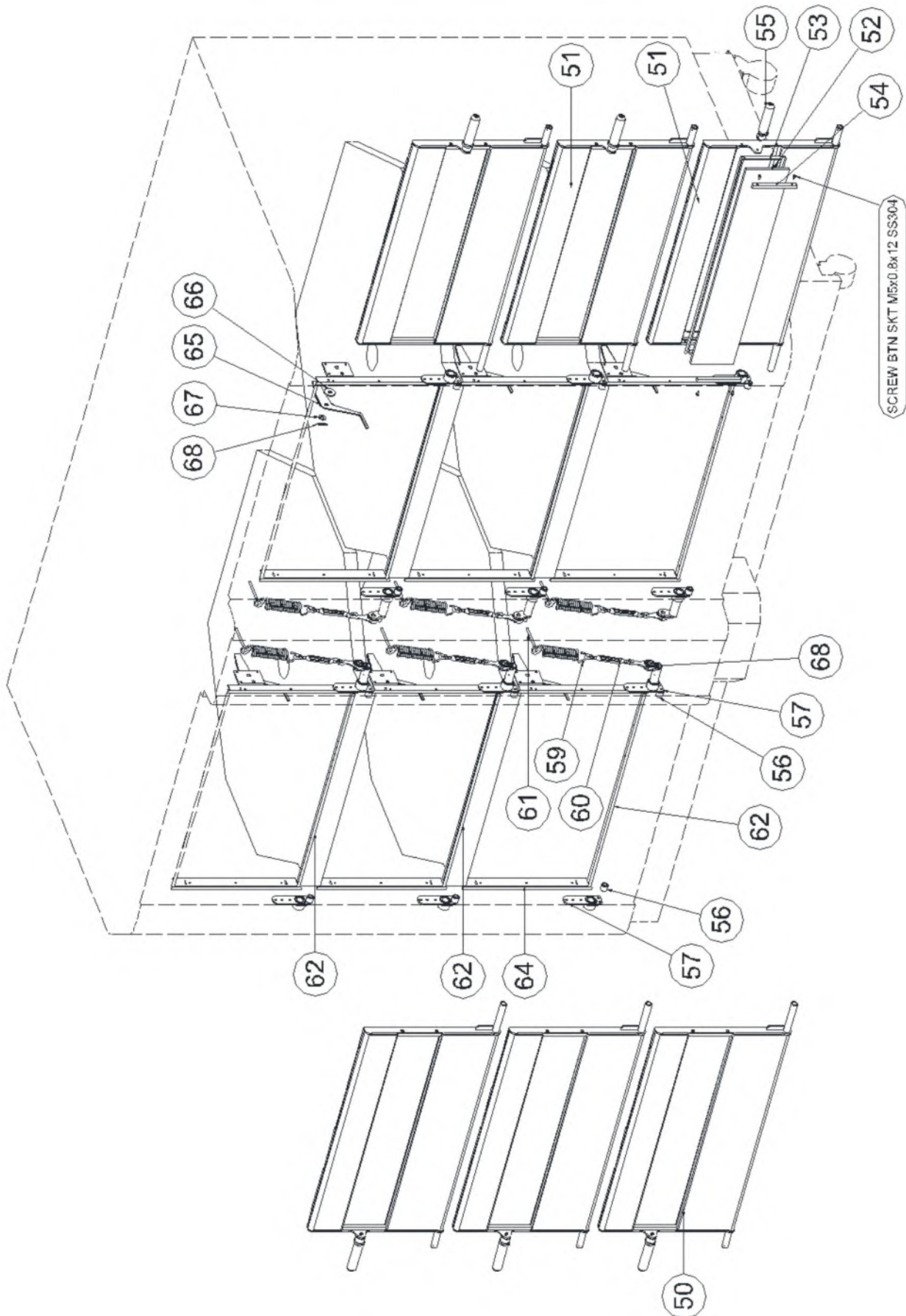
7.4.4b R33D3S - Drive System - From S/N 689359



ITEM	PART NO.	DESCRIPTION
35	309095	MOTOR MOUNT PLATE WA TWIN R3
36	304373	MOTOR 0.15kW 12 POLE 415V 50Hz
37	307884	PULLEY MOTOR DRIVE R3
38	309203	BELT FLAT POLY-V 460J6 1168mm R3
39	307889	BEARING AEL205D1 CAMLOCK
43	307887	PULLEY ALUM FLAT 250mm R3
44	303001	ADAPTER SLEEVE H2306 JAPAN
45	307886	COUNTER SHAFT DRIVE R3
46	300115	KEY STEEL 8x7mm 30mm LONG
47	307891	PULLEY 2"x2A 25mm BORE R3
48	308952	DRIVE WHEEL WA R3
49	300190	VBELT A116
109	303003	BEARING HOUSING FL205J
110	309321	BUSH
111	309322	BOLT ANTI-ROTATE
112	301291	R-CLIP

7 Exploded Parts List

7.4.5 R33D3S - Doors



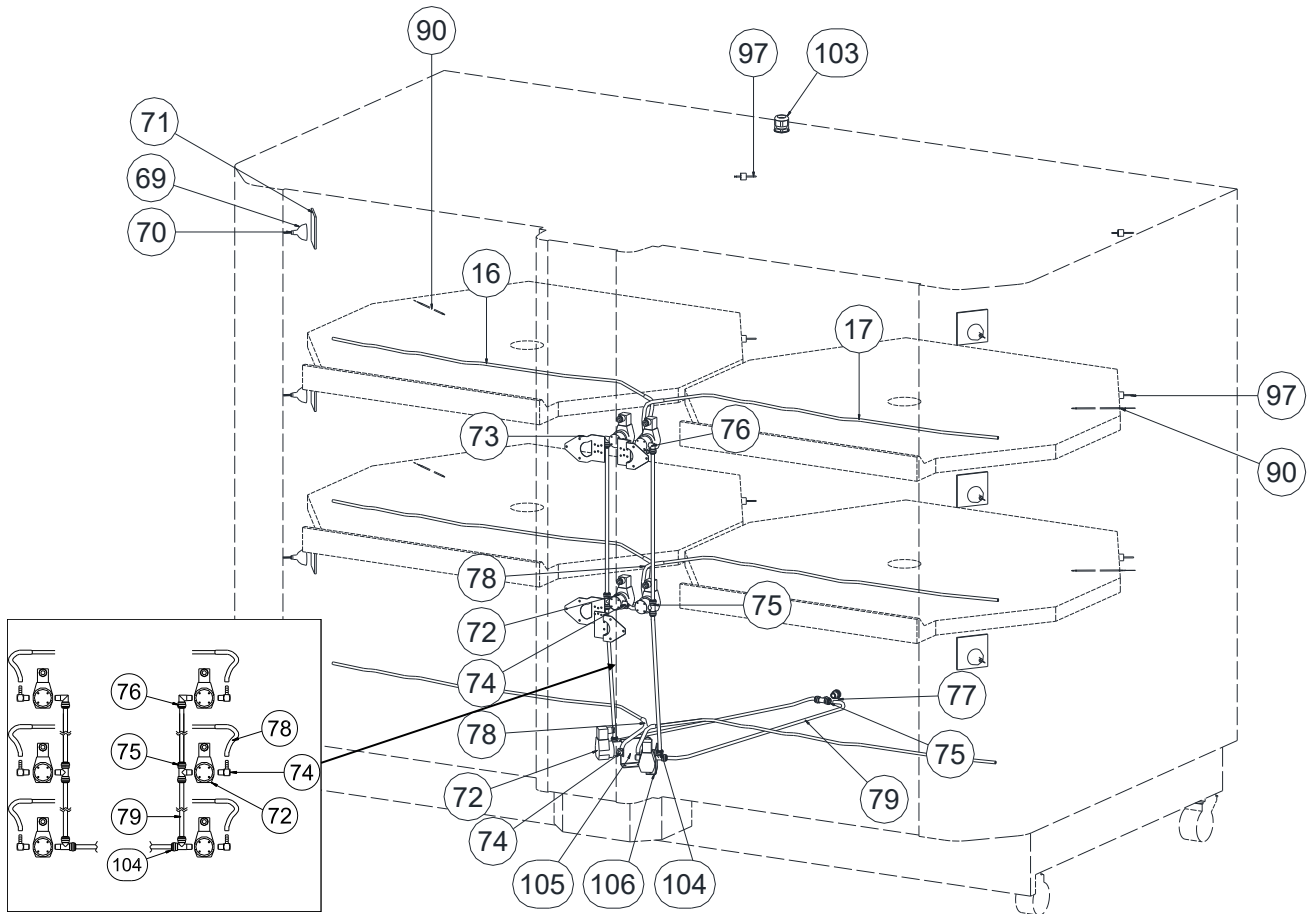
7.4.5 R33D3S - Doors - Parts List

ITEM	PART NO.	DESCRIPTION
50	308747	DOOR ASSY SPLIT LH R3
51	308748	DOOR ASSY SPLIT RH R3
52	307984	GLASS 10mm TOUGH 826 x 150 SCREEN R3
53	308782	SEAL Si RUBBER L 12 x 12 x 2 BLACK R3
54	308735	DOOR GLASS CLAMP AL SATIN BLACK R3
55	309109	DOOR HANDLE ASSY R3
55a	410140	SCREW M6 x 25 - up to Ser. No. 1759794
55b	748022	SCREW M8 x 20 - from Ser. No. 1759795
56	308767	DOOR STOP CONCENTRIC R3 (FACTORY)
	308768	DOOR STOP ECCENTRIC R3 (OPTIONAL)
57	307975	HINGE PL CARBON OUTER WA R3
58	309217	HINGE SPRING ARM ASSY SPLIT R3
59	300341	SPRING TENS 5mm 40 OD x 165 L ROTEL
60	301118	TURNBUCKLE 6mm SS (SPLIT DECK)
61	309195	EYE BOLT COLLARED M8
62	307901	DOOR SEAL / ROD ASSY 820mm R3
64	307911	SIDE SEAL SPLIT R3
65	307950	TRAY STOP ARM R3
66	470190	WASHER M12 x 37 x 3 ZP
67	450032	WASHER FLAT M12 x 24 x 1.6 ZP
68	470042	SPLIT PIN 3.2 x 25 ZP

7 Exploded Parts List

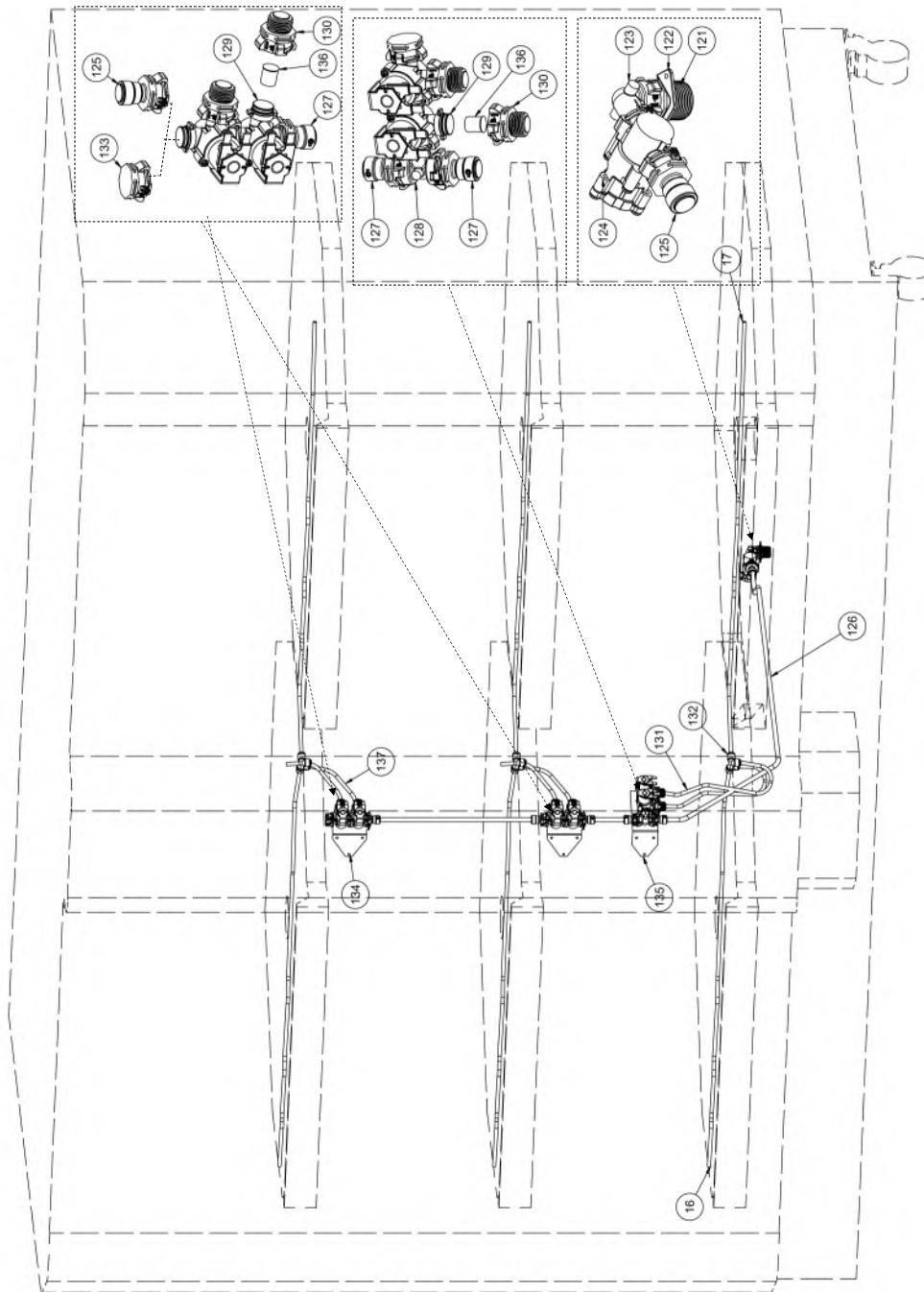
7.4.6A R33D3S - Water, Lights and Probes

Water System Up To Ser No. 1833684



ITEM	PART NO.	DESCRIPTION
16	309152	STEAM TUBE SPLIT LH R3
17	309154	STEAM TUBE SPLIT RH R3
69	300488	LAMP DICHROIC 20W 12V PHL14592
70	300489	LAMPHOLDER AND LEADS ROTEL
71	300992	GLASS 5mm CLEAR FLOAT 100x100 ROTEL
72	305917	SOLENOID VALVE 1/4 24V DC CE
73	307866	SOLENOID BKT R3
74	301516	FITTING ELBOW 1/4BSPx1/4 BARB
75	301522	FITTING RAPID TEE MALE 10/8 1/4BSP 10/8
76	301521	FITTING RAPID ELBOW 10/8 1/4BSP
77	301523	FITTING BULKHD OD 1/2 BSP ID 1/4 BSP
78	301515	HOSE 1/4 DIA 250PSI RED
79	301511	TUBE 10x8mm NYLON NATURAL
90	307804	OVERTEMP THERMOSTAT 1 POLE 320C R3
97	308199	THERMOCOUPLE WIRE TW-K20-G/G
103	305531	CABLE GLAND M32 BLACK NYLON
104	301519	FITTING RAPID TEE STEM 10/8 10/8 1/4BSP
105	309221	SOLENOID BRACKET BOTTOM LH
106	309222	SOLENOID BRACKET BOTTOM RH

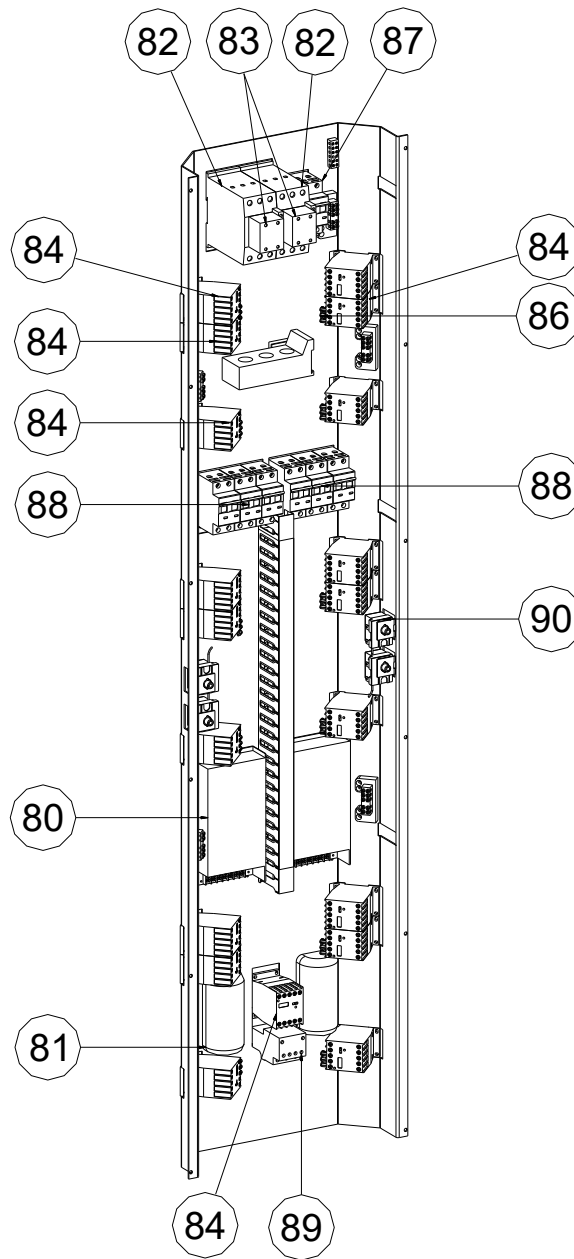
7.4.6B R33D3S - Water System From Ser No. 1833685



ITEM	PART NO.	DESCRIPTION
128	245520	FITTING UNV T (F-M-F)
129	245322	SOLENOID UNV 24VDC NC BODY C
130	245324	FITTING UNV OUTLET JG 8mm
131	245331	WATER TUBE 8mm OD 450mm
132	245326	ELBOW SUPERSEAL JG 5/16"
133	245325	FITTING UNV OUTLET CAP
134	245279	WATER SOLENOID BRACKET R3
135	245338	WATER SOLENOID BRACKET BOTTOM R3
136	245323	FLOW RESTRICTOR UNV OUTLET BLACK
137	245330	WATER TUBE 8mm OD 210mm
16	309152	STEAM TUBE SPLIT LH R3
17	309154	STEAM TUBE SPLIT RH R3
121	245317	FITTING UNV, INLET 3/4" M
122	245316	R.P.E. MTG BRKT
123	245321	FITTING UNV ELBOW
124	245318	PRESSURE REDUCER UNV 1.2BAR BODY A
125	245319	FITTING UNV, OUTLET JG 10mm
126	245327	WATER TUBE 10mm OD 1450mm
127	245320	FITIING UNV INLET JG 10mm

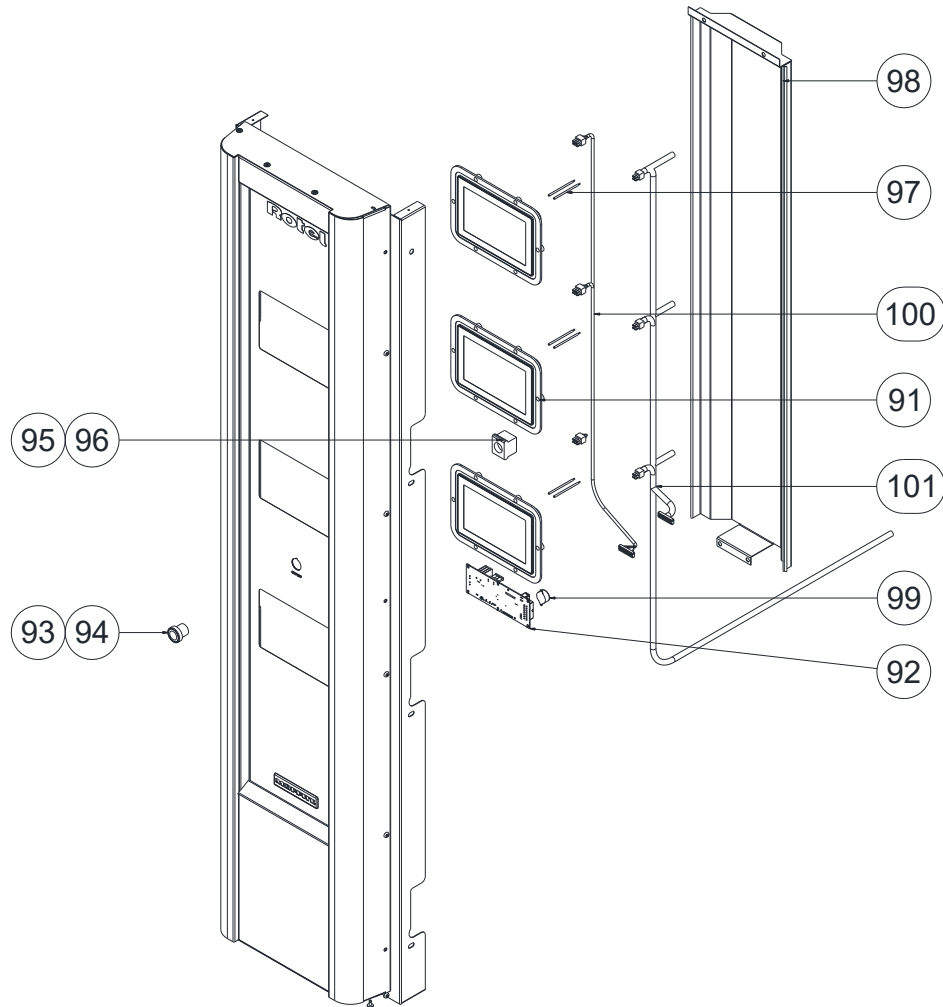
7 Exploded Parts List

7.4.7 R33D3S - Electrical Gear Panel



ITEM	PART NO.	DESCRIPTION
80	306360	POWER SUPPLY 150W 24VDC R3
81	300138	TRANSFORMER 105VA 240/12V
82	309126	CONTACTOR 3 POLE DILM50 240V AC
83	309127	AUXILIARY CONTACT DILM150-XHI11
84	308155	CONTACTOR AUX N/O DILM7-10 3kW 24V DC 20A
86	300135	STAR POINT BRIDGE DILM12-XS1
87	305033	CIRCUIT BREAKER PLS6-C10/3
88	307883	CIRCUIT BREAKER PLS6-C32/2
89	306924	OVERLOAD RELAY ZB12 1.6
90	025400	OVERTEMP THERMOSTAT 360C

7.4.8 R33D3S - Control Panel

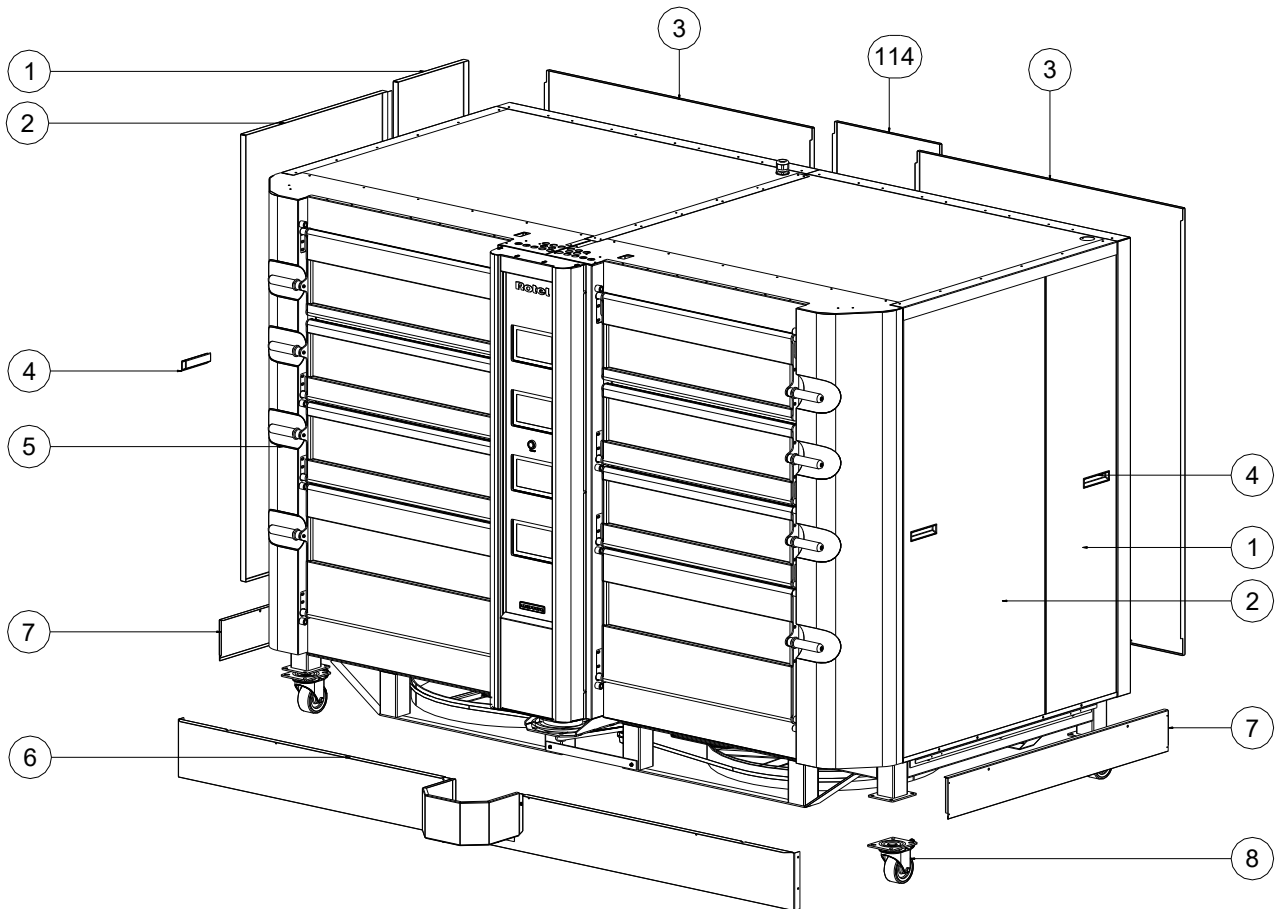


ITEM	PART NO.	DESCRIPTION
91	307787	CONTROLLER AND SCREEN ATBR3DC R3
92	307797	DISTRIBUTION BOARD ATBR3DB R3
93	309115	PUSH BUTTON FLUSH BLUE ILLUM M22-DRL-B
94	309116	LED BLUE 12-30V AC/DC M22-LED-B
95	302644	PUSH BUTTON ADAPTOR M22-A
96	302704	CONTACT ELEMENT N/O M22-K10
97	308199	THERMOCOUPLE WIRE TW-K20-G/G
98	309185	CONTROLLER COVER TWIN
99	309104	BUZZER 3-28V DC 85dB CONT KPEG260 R3
100	309159	WIRING HARNESS CONTROL DISTRIBUTION TWIN R3
101	309163	WIRING HARNESS CONTRL I/O 3 DECK TWIN R3

7 Exploded Parts List

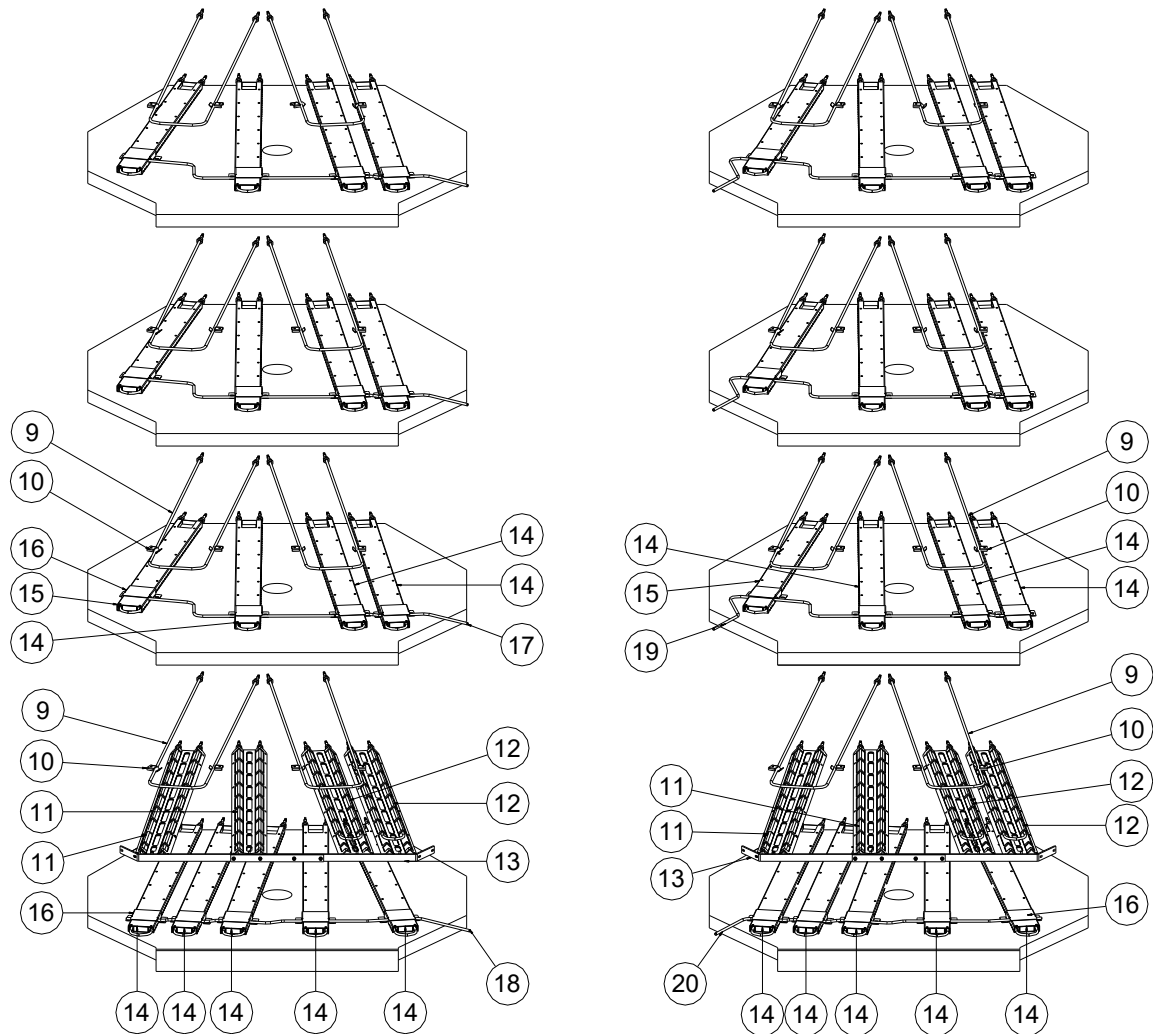
7.5 R34D1S

7.5.1 R34D1S - External Panels



ITEM	PART NO.	DESCRIPTION
1	308710	SIDE PANEL SMALL 4D1S R3
2	307993	SIDE PANEL LARGE 4D1S R3
3	309231	BACK PANEL 4D1S R3
4	300769	HANDLE POCKET P2-54 BLACK
5	309064	SCALLOP MOULDING R3
6	309106	SKIRT FRONT SET R3 TWIN
7	308752	SKIRT SIDE R3
8	307983	CASTOR S4494PS WHEEL P54479 W\LOCK R3
114	309232	SWITCHBOARD COVER 4D1S
Not Shown	301682	SCRAPER WA ROTEL
Not Shown	305776	BRUSH & HANDLE ASSY PLASTIC ROTEL

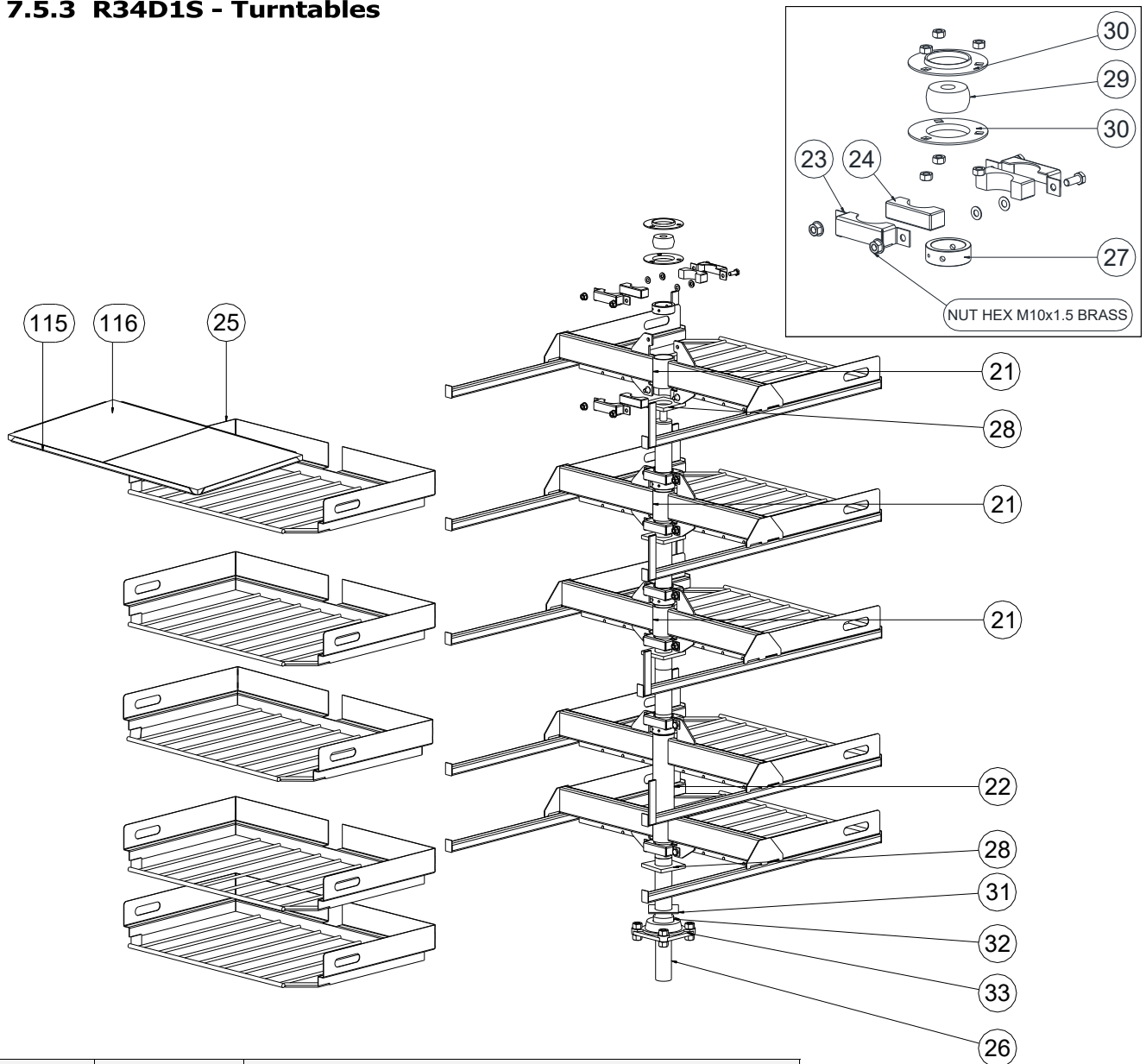
7.5.2 R34D1S - Elements / Steam



ITEM	PART NO.	DESCRIPTION
9	305737	ELEMENT 800W R3 240V
	309253	ELEMENT 800W R3 208V
10	307125	ELEMENT HOLDER ROOF R3
11	309193	ELEMENT ASSEMBLY MIDDLE 1100W R3 240V
	309282	ELEMENT ASSEMBLY MIDDLE 1100W R3 208V
12	309194	ELEMENT ASSEMBLY MIDDLE 900W R3 240V
	309283	ELEMENT ASSEMBLY MIDDLE 900W R3 208V
13	307908	ELEMENT SUPPORT FRAME WA R3
14	309191	STEAM GEN ASSEMBLY 1100W R3 INCLUDES ELEMENT 240V
	309280	STEAM GEN ASSEMBLY 1100W R3 INCLUDES ELEMENT 208V
15	309192	STEAM GEN ASSEMBLY 900W R3 INCLUDES ELEMENT 240V
	309281	STEAM GEN ASSEMBLY 900W R3 INCLUDES ELEMENT 208V
16	307905	STEAM GEN CLAMP R3
17	309153	STEAM TUBE STD LH R3
18	309152	STEAM TUBE SPLIT LH R3
19	309155	STEAM TUBE STD RH R3
20	309154	STEAM TUBE SPLIT RH R3

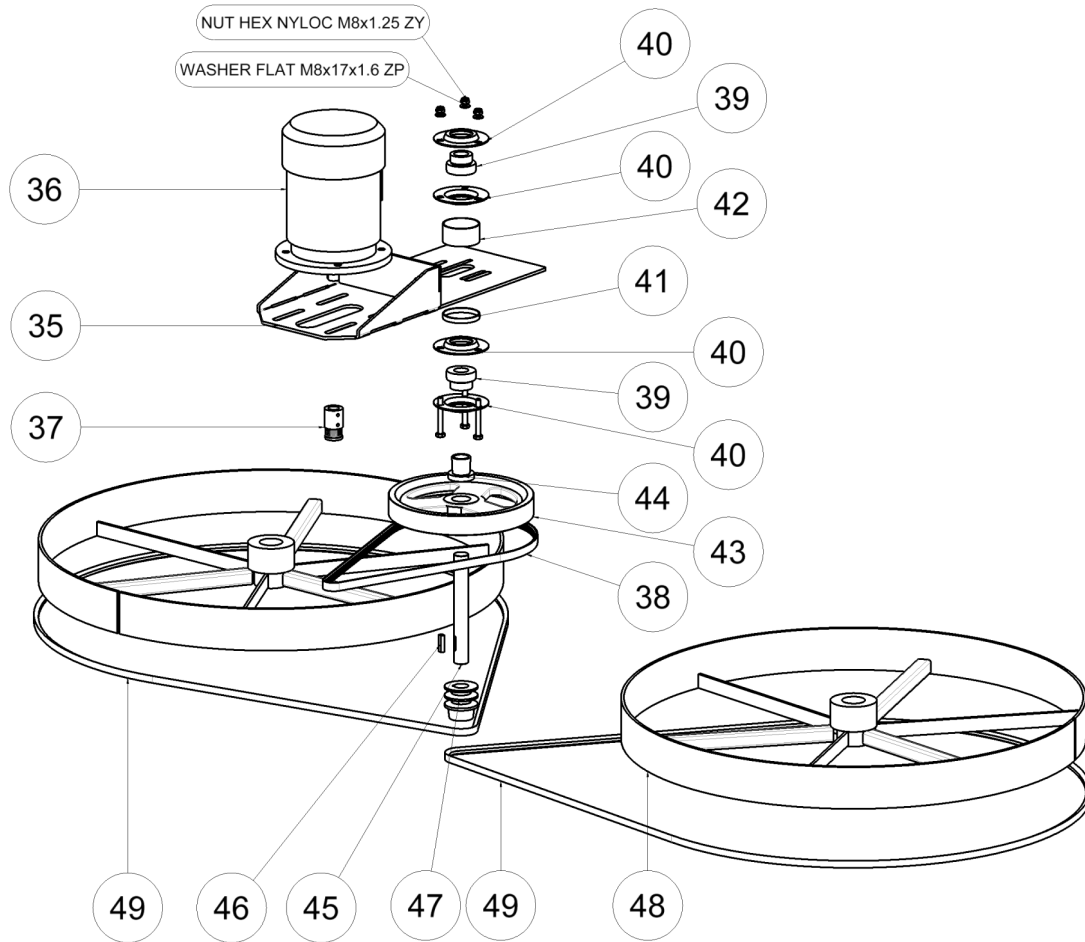
7 Exploded Parts List

7.5.3 R34D1S - Turntables



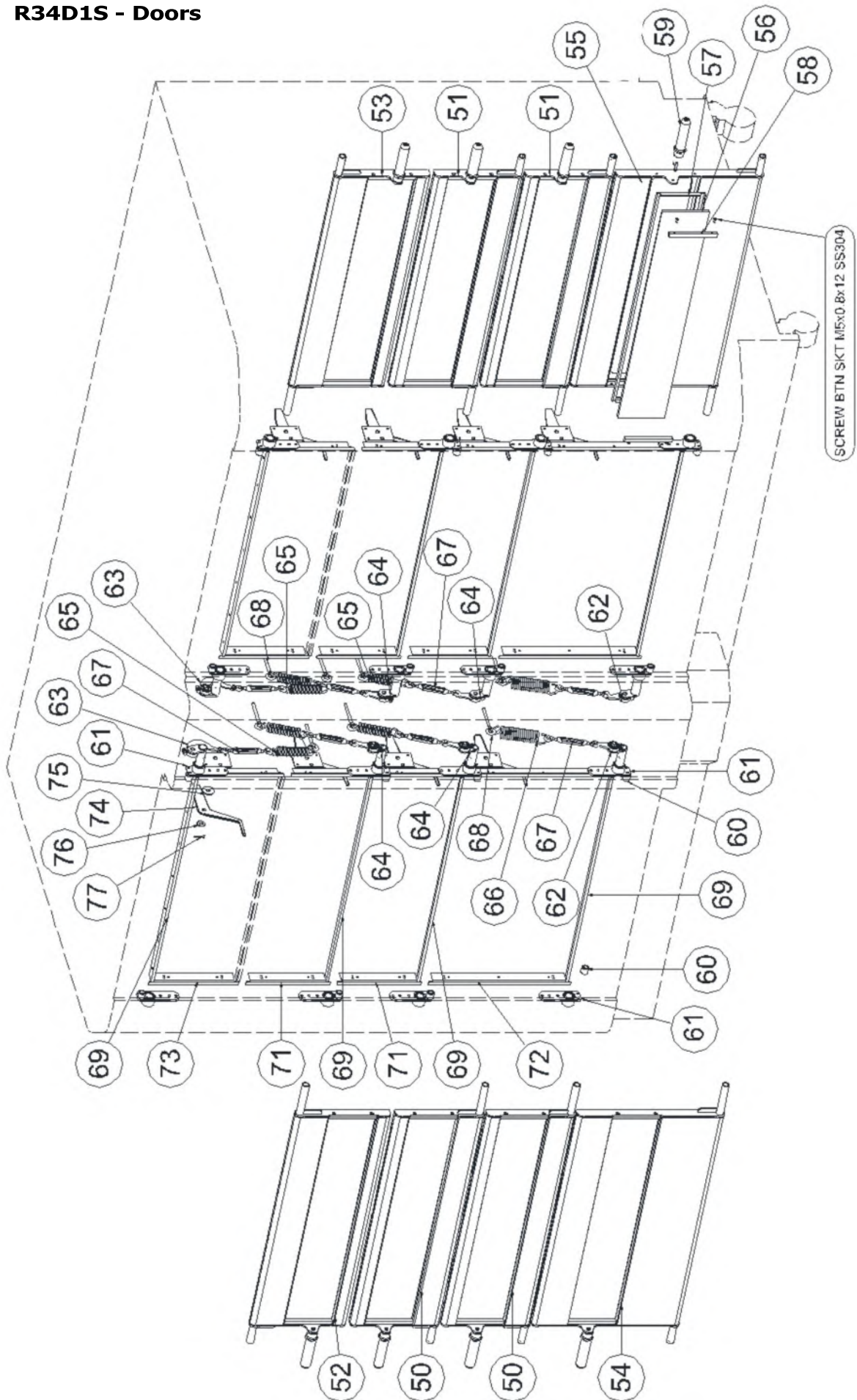
ITEM	PART NO.	DESCRIPTION
21	307953	TURNTABLE WA STD R3
22	307954	TURNTABLE WA SPLIT R3
23	307245	CARBON HOLDER T/TABLE FORM R3
24	308071	CARBON BEARING T/TABLE KIMWAN R3
25	309338	COOKING WIRE WA 10BAR R3
26	307971	DRIVE SHAFT 4D1S R3
27	300555	SHAFT COLLAR 45x63HB ROTEL.3
28	307159	CARBON SEAL OVEN SHAFT 89x89x10 R3
29	308976	CARBON SHAFT END R3
30	307352	BEARING HSG PRESSED PF206 R3
31	305796	SEAL HI-TEMP 85x85x3 NOMINAL
32	300218	BEARING UC209 2NS
33	300245	BEARING HSG F209J
115	306328	CERAMIC TILE TRAY 18"
116	302495	CERAMIC TILE

7.5.4a R34D1S - Drive System - Up to S/N 689358



ITEM	PART NO.	DESCRIPTION
35	309095	MOTOR MOUNT PLATE WA TWIN R3
36	304373	MOTOR 0.15kW 12 POLE 415V 50Hz
37	307884	PULLEY MOTOR DRIVE R3
38	309203	BELT FLAT POLY-V 460J6 1168mm R3
39	307889	BEARING AEL205D1 CAMLOCK
40	304639	BEARING HSG PF5/PF205/SLFE3 PRESSED ZP
41	307878	SPACER SLEEVE 63.5ODx1.6WTx8mm R3
42	307890	SPACER SLEEVE 63.5ODx1.6WTx32mm R3
43	307887	PULLEY ALUM FLAT 250mm R3
44	303001	ADAPTER SLEEVE H2306
45	307886	COUNTER SHAFT DRIVE R3
46	300115	KEY STEEL 8x7mm 30mm LONG
47	307891	PULLEY 2"x2A 25mm BORE R3
48	308952	DRIVE WHEEL WA R3
49	300190	V-BELT A116

7.5.5 R34D1S - Doors



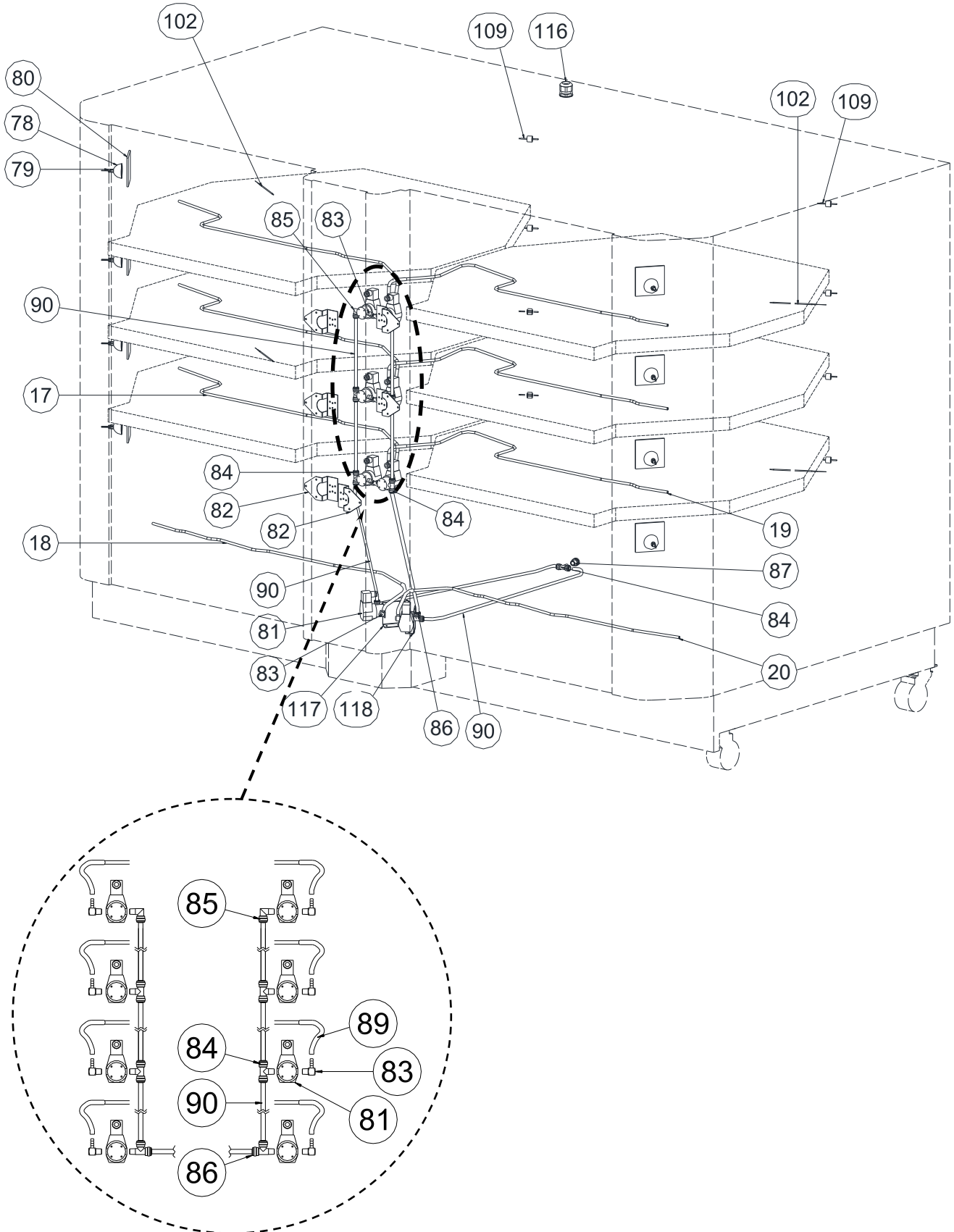
7 Exploded Parts List

7.5.5 R34D1S - Doors - Parts List

ITEM	PART NO.	DESCRIPTION
50	308743	DOOR ASSY STANDARD LH R3
51	308744	DOOR ASSY STANDARD RH R3
52	308745	DOOR ASSY HIGH CROWN LH R3
53	308746	DOOR ASSY HIGH CROWN RH R3
54	308747	DOOR ASSY SPLIT LH R3
55	308748	DOOR ASSY SPLIT RH R3
56	307984	GLASS 10mm TOUGH 826 x 150 SCREEN R3
57	308782	SEAL Si RUBBER L 12 x 12 x 2 BLACK R3
58	308735	DOOR GLASS CLAMP AL SATIN BLACK R3
59	309109	DOOR HANDLE ASSY R3
59a	410140	SCREW M6 x 25 - up to Ser. No. 1759794
59b	748022	SCREW M8 x 20 - from Ser. No. 1759795
60	308767	DOOR STOP CONCENTRIC R3 (FACTORY)
	308768	DOOR STOP ECCENTRIC R3 (OPTIONAL)
61	307975	HINGE PL CARBON OUTER WA R3
62	309217	HINGE SPRING ARM ASSY SPLIT R3
63	309218	HINGE SPRING ARM ASSY H/C R3
64	309215	HINGE SPRING ARM ASSY STD R3
65	305478	SPRING 4mm 30 OD x 140 L R3
66	300341	SPRING 5mm 40 OD x 165 L ROTEL
67	301122	TURNBUCKLE 5MM (NON SPLIT DECK)
	301118	TURNBUCKLE 6MM (SPLIT DECK)
68	309195	EYEBOLT
69	307901	DOOR SEAL / ROD ASSY 820mm R3
71	307910	SIDE SEAL STD R3
72	307911	SIDE SEAL SPLIT R3
73	307909	SIDE SEAL H/CROWN R3
74	307950	TRAY STOP ARM R3
75	470190	WASHER M12 x 37 x 3 ZP
76	450032	WASHER FLAT M12 x 24 x 1.6 ZP
77	470042	SPLIT PIN 3.2 x 25 ZP

7.5.6A R34D1S - Water, Lights and Probes

Water System Up To Ser No. 1833684

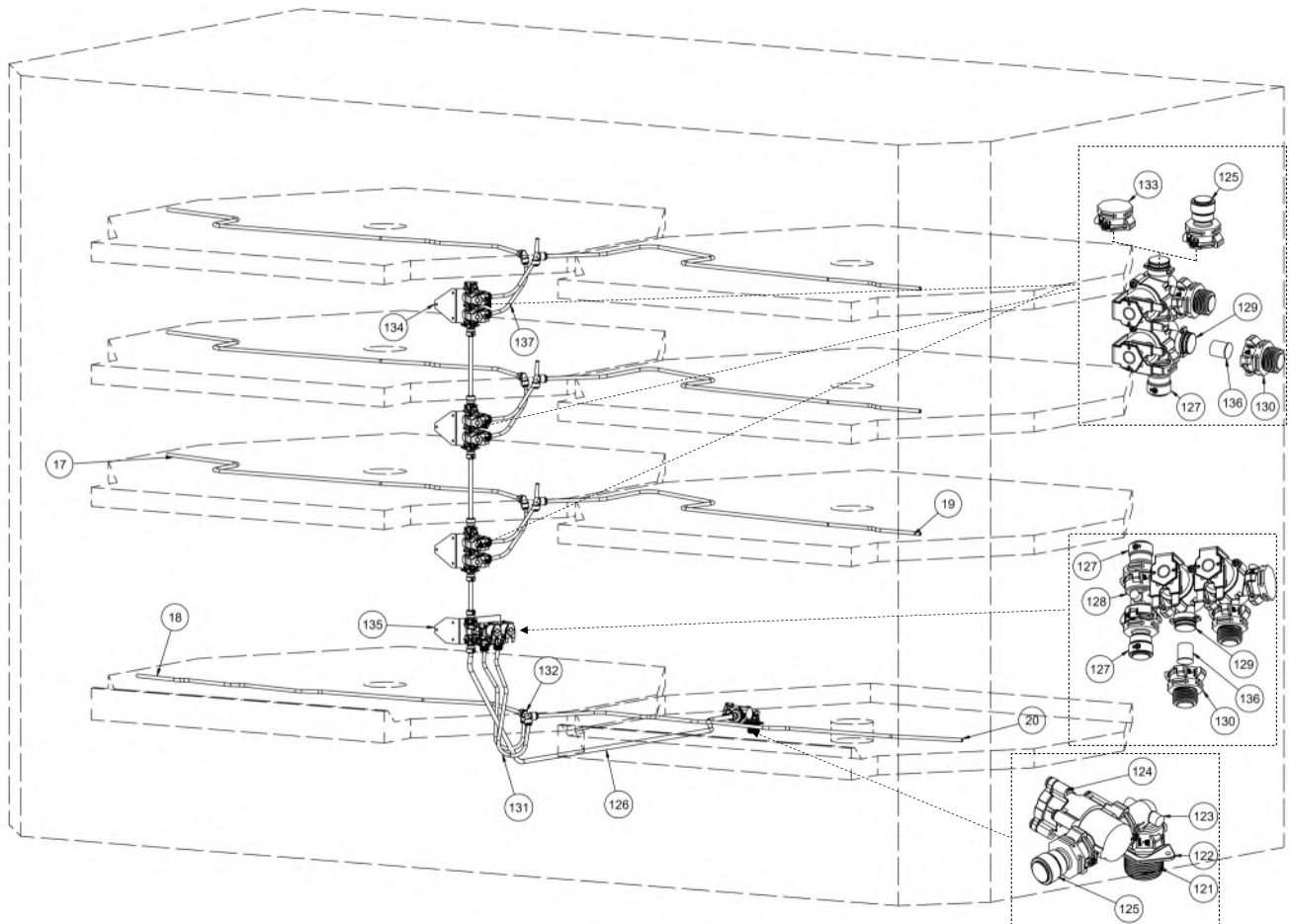


7 Exploded Parts List

7.5.6A R34D1S - Water, Lights and Probes - Parts List

ITEM	PART NO.	DESCRIPTION
17	309153	STEAM TUBE STD LH R3
18	309152	STEAM TUBE SPLIT LH R3
19	309155	STEAM TUBE STD RH R3
20	309154	STEAM TUBE SPLIT RH R3
78	300488	LAMP DICHROIC 20W 12V PHL14592
79	300489	LAMPHOLDER AND LEADS ROTEL—before s/n:1832608
	245377	LAMPHOLDER AND LEADS ROTEL—from s/n:1832608
80	300992	GLASS 5mm CLEAR FLOAT 100x100 ROTEL
81	305917	SOLENOID VALVE 1/4 24V DC CE
82	307866	SOLENOID BKT R3
83	301516	FITTING ELBOW 1/4BSPx1/4 BARB
84	301522	FITTING RAPID TEE MALE 10/8 1/4BSP 10/8
85	301521	FITTING RAPID ELBOW 10/8 1/4BSP
86	301519	FITTING RAPID TEE STEM 10/8 10/8 1/4BSP
87	301523	FITTING BULKHD OD 1/2 BSP ID 1/4 BSP
89	301515	HOSE 1/4 DIA 250PSI RED
90	301511	TUBE 10x8mm NYLON NATURAL
102	025400	OVERTEMP THERMOSTAT 360C
109	308199	THERMOCOUPLE WIRE TW-K20-G/G
117	309221	SOLENOID BRACKET BOTTOM LH
118	309222	SOLENOID BRACKET BOTTOM RH

7.5.6B R34D1S - Water System From Ser No. 1833685

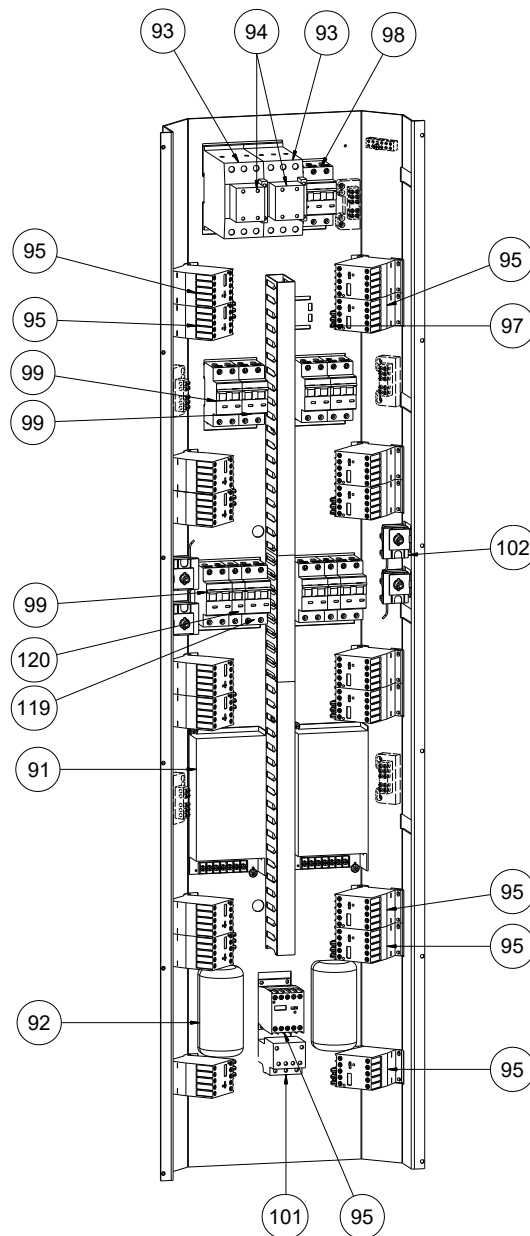


ITEM	PART NO.	DESCRIPTION
17	309153	STEAM TUBE STD LH R3
18	309152	STEAM TUBE SPLIT LH R3
19	309155	STEAM TUBE STD RH R3
20	309154	STEAM TUBE SPLIT RH R3
121	245317	FITTING UNV, INLET 3/4" M
122	245316	R.P.E. MTG BRKT
123	245321	FITTING UNV ELBOW
124	245318	PRESSURE REDUCER UNV 1.2BAR BODY A
125	245319	FITTING UNV, OUTLET JG 10mm
126	245327	WATER TUBE 10mm OD 1450mm
127	245320	FITTING UNV INLET JG 10mm

ITEM	PART NO.	DESCRIPTION
128	245520	FITTING UNV T (F-M-F)
129	245322	SOLENOID UNV 24VDC NC BODY C
130	245324	FITTING UNV OUTLET JG 8mm
131	245331	WATER TUBE 8mm OD 450mm
132	245326	ELBOW SUPERSEAL JG 5/16"
133	245325	FITTING UNV OUTLET CAP
134	245279	WATER SOLENOID BRACKET R3
135	245338	WATER SOLENOID BRACKET BOTTOM R3
136	245323	FLOW RESTRICTOR UNV OUTLET BLACK
137	245330	WATER TUBE 8mm OD 210mm

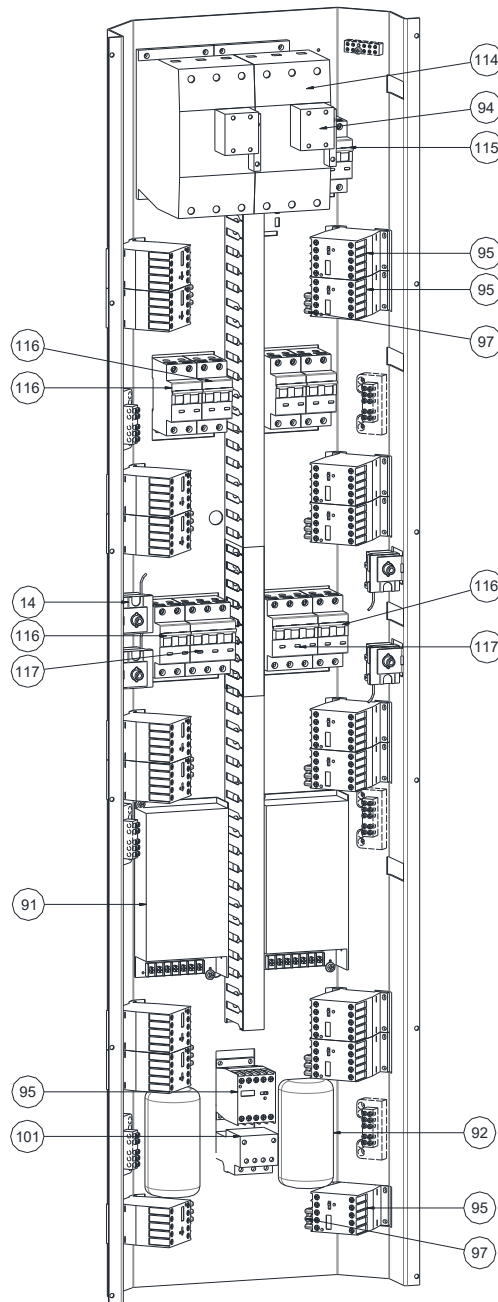
7 Exploded Parts List

7.5.7a R34D1S - Electrical Gear Panel 400-415V



ITEM	PART NO.	DESCRIPTION
91	306360	POWER SUPPLY 150W 24VDC R3
92	300138	TRANSFORMER 105VA 240/12V
93	309126	CONTACTOR 3 POLE DILM50 240V AC
94	309127	AUXILIARY CONTACT DILM150-XHI11
95	308155	CONTR AUX N/O DILM7-10 3kW 24V DC 20A
97	300135	STAR POINT BRIDGE DILM12-XS1
98	305033	CIRCUIT BREAKER PLS6-C10/3
99	306813	CIRCUIT BREAKER PLS6-C25/2
100	304472	CIRCUIT BREAKER PLS6-C32/3
101	306924	OVERLOAD RELAY ZB12 1.6
102	025400	OVERTEMP THERMOSTAT 360C
119	307883	CIRCUIT BREAKER PLS6-C32/2 (from Ser. No. 728419)
120	300391	CIRCUIT BREAKER PLS6-C25/1 (from Ser. No. 728419)

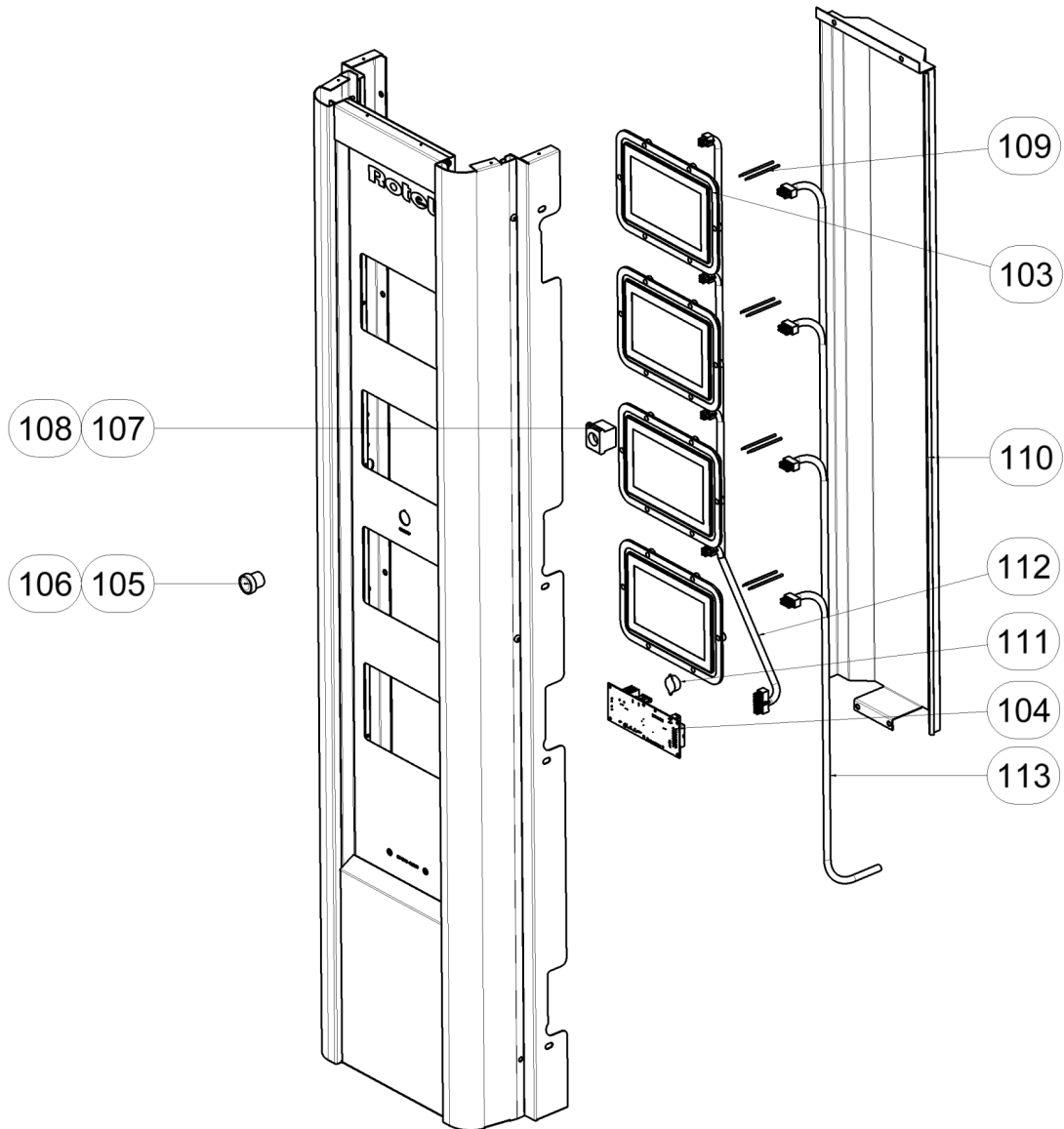
7.5.7b R34D1S - Electrical Gear Panel - 208V



ITEM	PART NO.	DESCRIPTION
91	306360	POWER SUPPLY 150W 24VDC R3
92	300138	TRANSFORMER 105VA 240/12V
94	309127	AUXILIARY CONTACT DILM150-XHI11
95	308155	CONTR AUX N/O DILM7-10 3kW 24V DC 20A
97	300135	STAR POINT BRIDGE DILM12-XS1
101	306924	OVERLOAD RELAY ZB12 1.6
102	025400	OVERTEMP THERMOSTAT 360C
114	309262	CONTACTOR 3 POLE DILM95 220V AC 60Hz
115	305449	CIRCUIT BREAKER C10, 3 Pole
116	309263	CIRCUIT BREAKER C25, 2 Pole
117	309264	CIRCUIT BREAKER C32, 3 Pole

7 Exploded Parts List

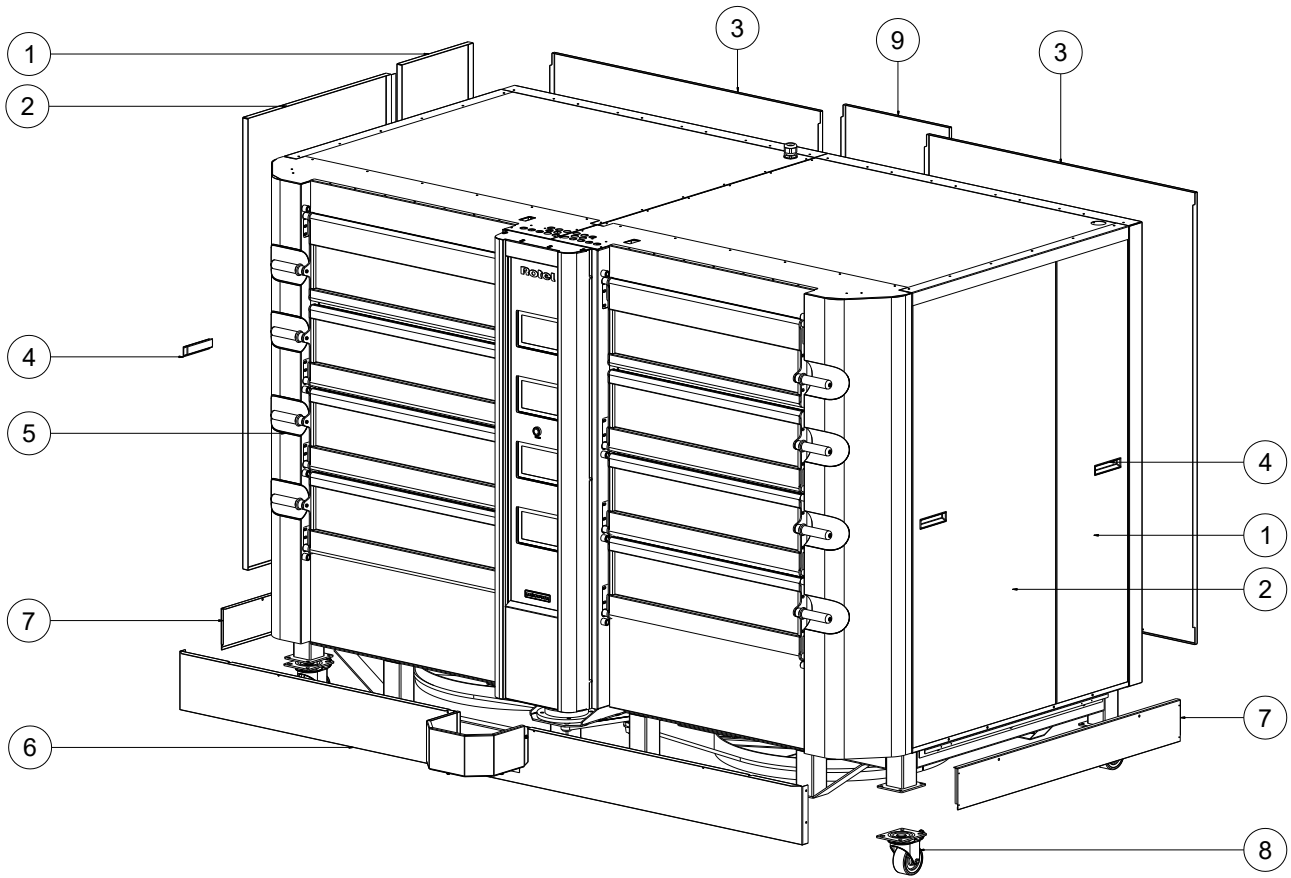
7.5.8 R34D1S - Control Panel



ITEM	PART NO.	DESCRIPTION
103	307787	CONTROLLER AND SCREEN ATBR3DC R3
104	307797	DISTRIBUTION BOARD ATBR3DB R3
105	309115	PUSH BUTTON FLUSH BLUE ILLUM M22-DRL-B
106	309116	LED BLUE 12-30V AC/DC M22-LED-B
107	302644	PUSH BUTTON ADAPTOR M22-A
108	302704	CONTACT ELEMENT N/O M22-K10
109	308199	THERMOCOUPLE WIRE TW-K20-G/G
110	309185	CONTROLLER COVER TWIN
111	309104	BUZZER 3-28V DC 85dB CONT KPEG260 R3
112	309159	WIRING HARNESS CONTROL DISTRIBUTION TWIN R3
113	309161	WIRING HARNESS CONTROL I/O 4DECK TWIN R3

7.6 R34DHC

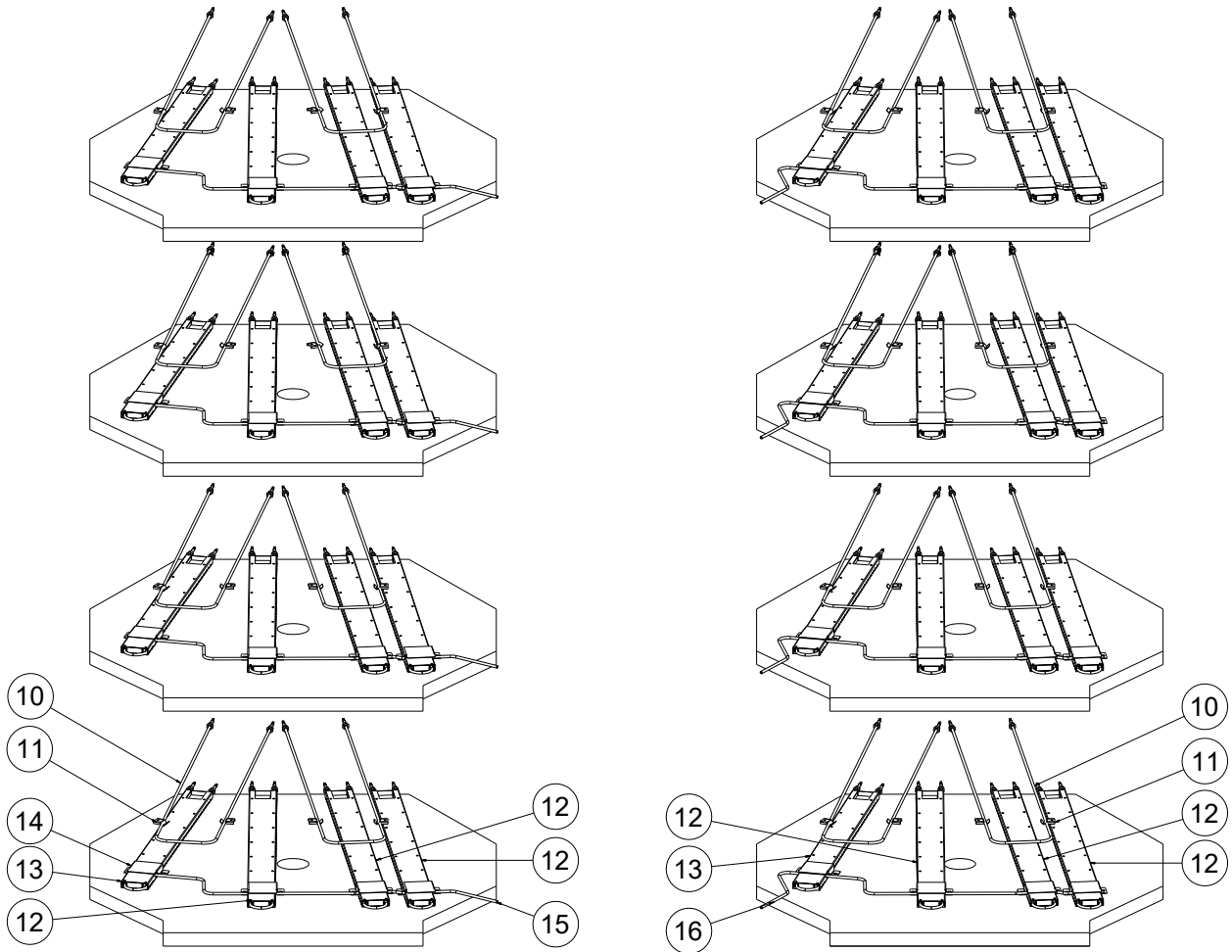
7.6.1 R34DHC - External Panels



ITEM	PART NO.	DESCRIPTION
1	308710	SIDE PANEL SMALL
2	307993	SIDE PANEL LARGE
3	309231	BACK PANEL
4	300769	HANDLE POCKET P2-54 BLACK
5	309064	SCALLOP MOULDING R3
6	309106	SKIRT FRONT SET TWIN
7	308752	SKIRT SIDE
8	307983	CASTOR S4494PS WHEEL P54479 W\LOCK
9	309232	SWITCHBOARD COVER 4D1S
Not Shown	301682	SCRAPER WA ROTEL
Not Shown	305776	BRUSH & HANDLE ASSY PLASTIC ROTEL

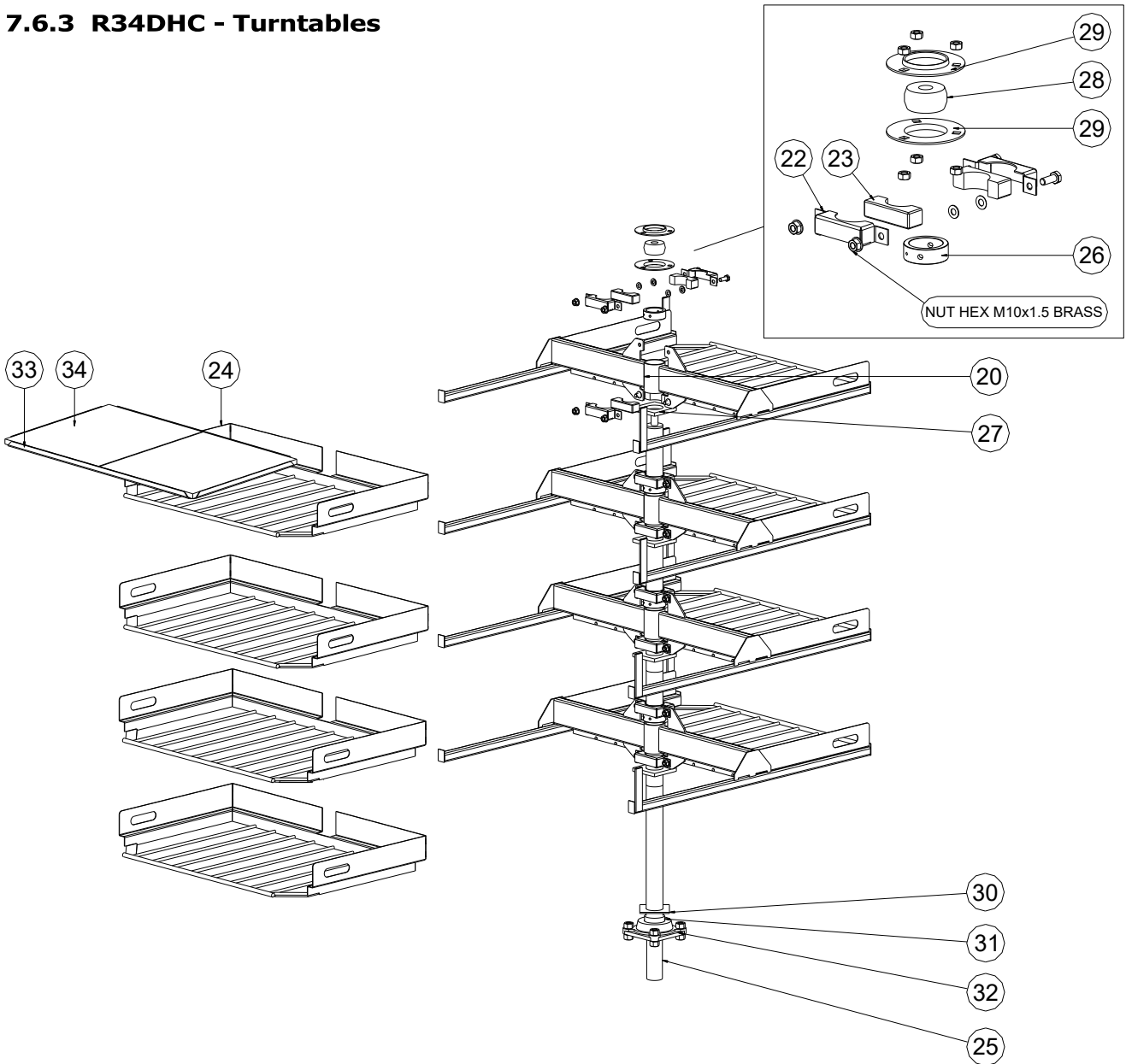
7 Exploded Parts List

7.6.2 R34DHC - Elements / Steam



ITEM	PART NO.	DESCRIPTION
10	305737	ELEMENT 800W R3 240V
11	307125	ELEMENT HOLDER ROOF R3
12	309191	STEAM GEN ASSEMBLY 1100W R3 INCLUDES ELEMENT 240V
13	309192	STEAM GEN ASSEMBLY 900W R3 INCLUDES ELEMENT 240V
14	307905	STEAM GEN CLAMP R3
15	309153	STEAM TUBE STD LH R3
16	309155	STEAM TUBE STD RH R3

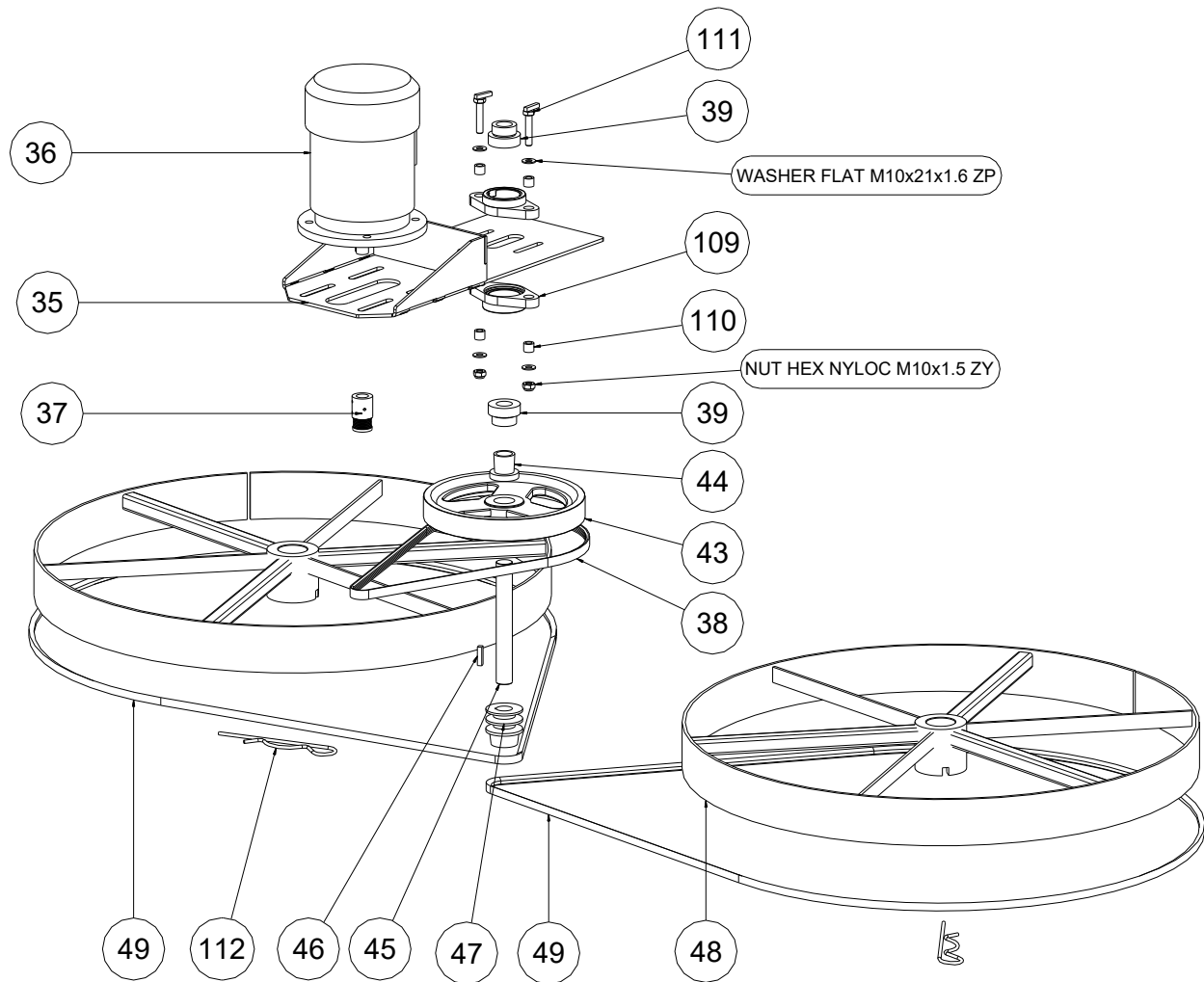
7.6.3 R34DHC - Turntables



ITEM	PART NO.	DESCRIPTION
20	307953	TURNTABLE WA STD
22	307245	CARBON HOLDER T/TABLE FORM
23	308071	CARBON BEARING T/TABLE KIMWAN
24	309338	COOKING WIRE WA 10BAR
25	309309	DRIVE SHAFT AND END 4DHC
26	300555	SHAFT COLLAR 45x63HB
27	307159	CARBON SEAL OVEN SHAFT 89x89x10
28	308976	CARBON SHAFT END
29	307352	BEARING HSG PRESSED PF206
30	305796	SEAL HI-TEMP 85x85x3 NOMINAL
31	300218	BEARING UC209 2NS
32	300245	BEARING HSG F209J
33	306328	CERAMIC TILE TRAY 18"
34	302495	CERAMIC TILE

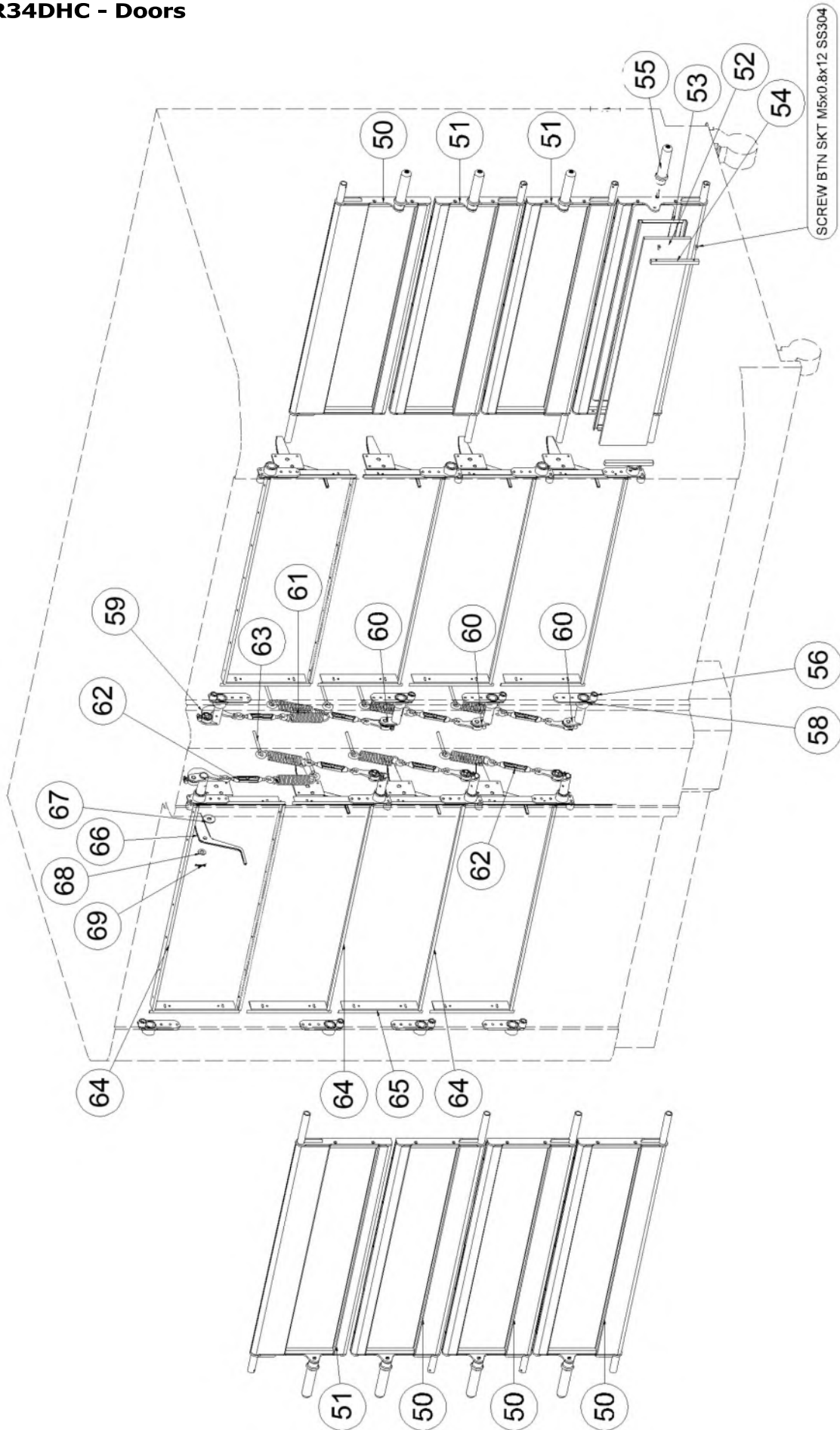
7 Exploded Parts List

7.6.4 R34DHC - Drive System



ITEM	PART NO.	DESCRIPTION
35	309095	MOTOR MOUNT PLATE WA TWIN R3
36	304373	MOTOR 0.15kW 12 POLE 415V 50Hz
37	307884	PULLEY MOTOR DRIVE R3
38	309203	BELT FLAT POLY-V 460J6 1168mm R3
39	307889	BEARING AEL205D1 CAMLOCK
43	307887	PULLEY ALUM FLAT 250mm R3
44	303001	ADAPTER SLEEVE H2306 JAPAN
45	307886	COUNTER SHAFT DRIVE R3
46	300115	KEY STEEL 8x7mm 30mm LONG
47	307891	PULLEY 2"x2A 25mm BORE R3
48	308952	DRIVE WHEEL WA R3
49	300190	VBELT A116
109	303003	BEARING HOUSING FL205J
110	309321	BUSH
111	309322	BOLT ANTI-ROTATE
112	301291	R-CLIP

7.6.5 R34DHC - Doors



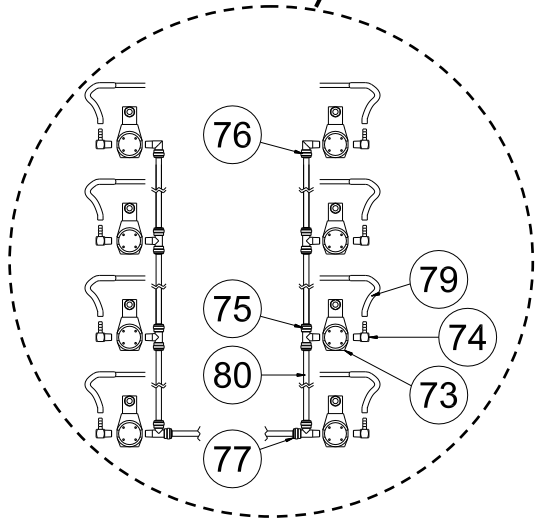
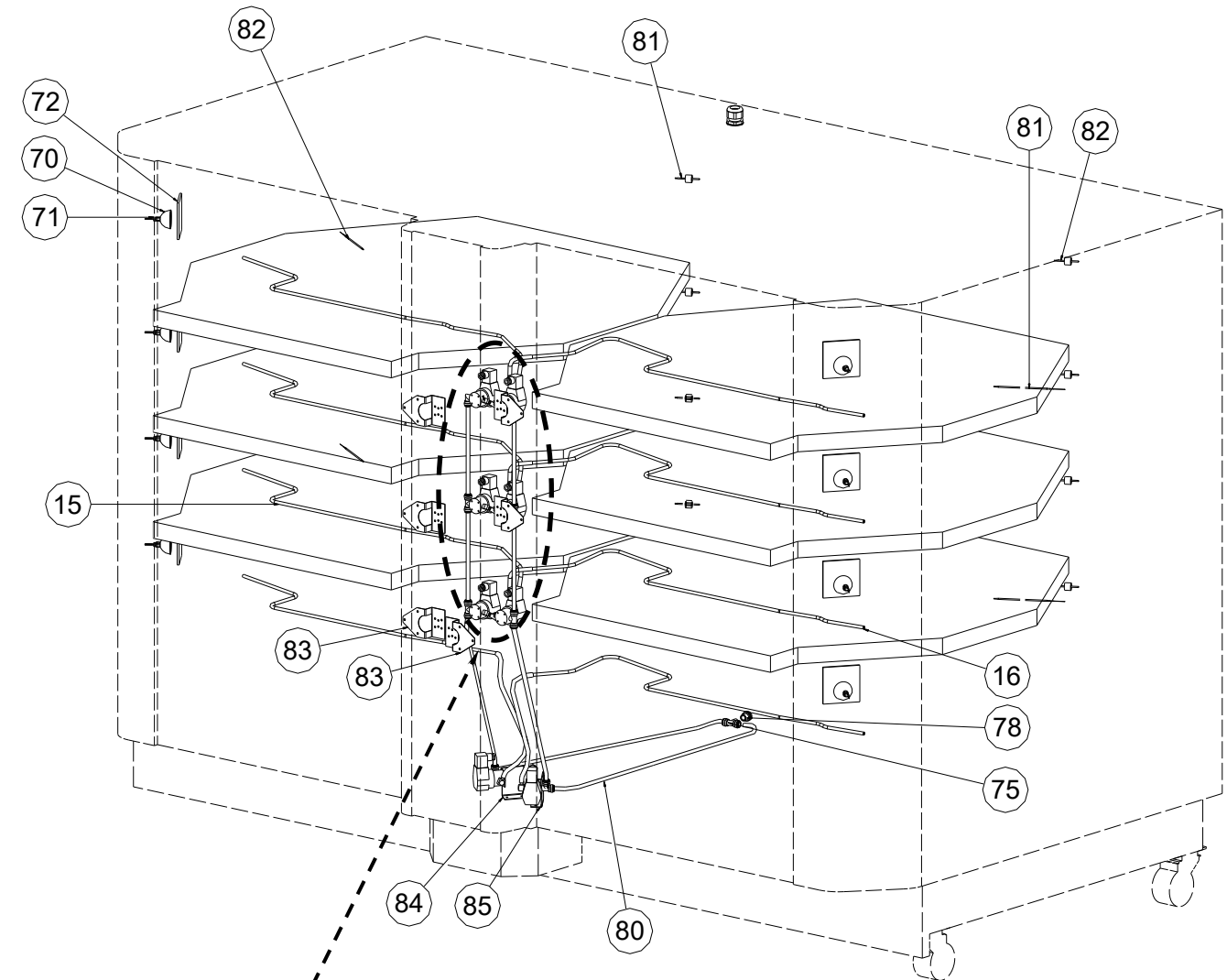
7 Exploded Parts List

7.6.5 R34DHC - Doors - Parts List

ITEM	PART NO.	DESCRIPTION
50	308745	DOOR ASSY HIGH CROWN LH R3
51	308746	DOOR ASSY HIGH CROWN RH R3
52	307984	GLASS 10mm TOUGH 826 x 150 SCREEN R3
53	308782	SEAL SI RUBBER L 12 x 12 x 2 BLACK R3
54	308735	DOOR GLASS CLAMP AL SATIN BLACK R3
55	309109	DOOR HANDLE ASSY R3
56a	410140	SCREW M6 x 25 - up to Ser. No. 1759794
56b	748022	SCREW M8 x 20 - from Ser. No. 1759795
56	308767	DOOR STOP CONCENTRIC R3 (FACTORY)
	308768	DOOR STOP ECCENTRIC R3 (OPTIONAL)
58	307975	HINGE PL CARBON OUTER WA R3
59	309218	HINGE SPRING ARM ASSY H/C R3
60	309215	HINGE SPRING ARM ASSY STD R3
61	305478	SPRING 4mm 30 OD x 140 L R3
62	301122	TURNBUCKLE 5MM (NON SPLIT DECK)
63	309195	EYEBOLT
64	307901	DOOR SEAL / ROD ASSY 820mm R3
65	307909	SIDE SEAL H/CROWN R3
66	307950	TRAY STOP ARM R3
67	470190	WASHER M12 x 37 x 3 ZP
68	450032	WASHER FLAT M12 x 24 x 1.6 ZP
69	470042	SPLIT PIN 3.2 x 25 ZP

7.6.6A R34DHC - Water, Lights and Probes

Water System Up To Ser No. 1833684



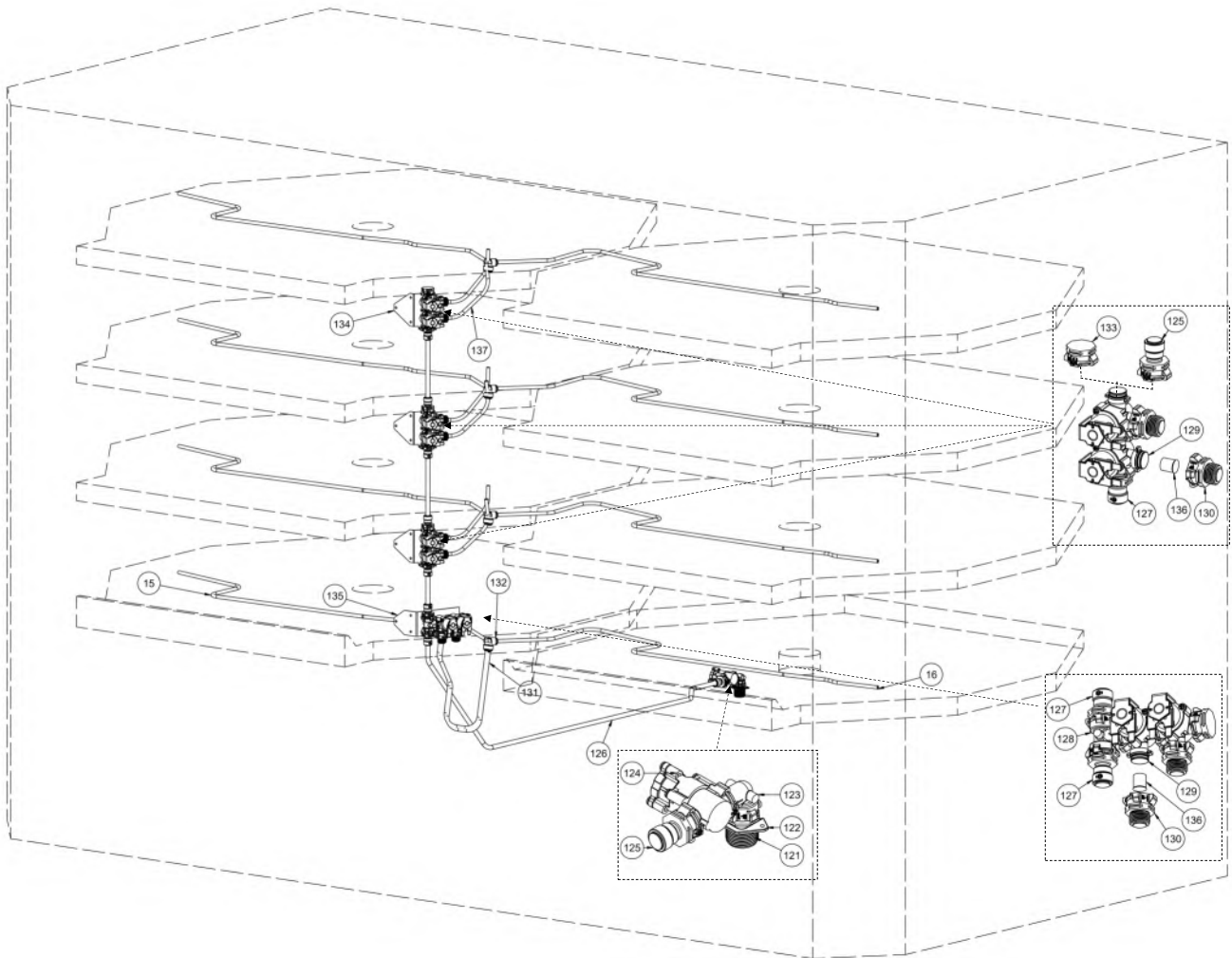
**Water Solenoid Valves
& Connections**

7 Exploded Parts List

7.6.6A R34DHC - Water, Lights and Probes - Parts List

ITEM	PART NO.	DESCRIPTION
15	309153	STEAM TUBE STD LH R3.
16	309155	STEAM TUBE STD RH R3.
70	300488	LAMP DICHROIC 20W 12V PHL14592.
71	300489	LAMPHOLDER AND LEADS ROTEL.
72	300992	GLASS 5mm CLEAR FLOAT 100x100 ROTEL.
73	305917	SOLENOID VALVE 1/4 24V DC CE.
74	301516	FITTING ELBOW 1/4BSPx1/4 BARB.
75	301522	FITTING RAPID TEE MALE 10/8 1/4BSP 10/8.
76	301521	FITTING RAPID ELBOW 10/8 1/4BSP.
77	301519	FITTING RAPID TEE STEM 10/8 10/8 1/4BSP.
78	301523	FITTING BULKHD OD 1/2 BSP ID 1/4 BSP.
79	301515	HOSE 1/4 DIA 250PSI RED.
80	301511	TUBE 10x8mm NYLON NATURAL.
81	025400	OVERTEMP THERMOSTAT 360C.
109	308199	THERMOCOUPLE WIRE TW-K20-G/G.
83	307866	SOLENOID BKT R3.
84	309221	SOLENOID BRACKET BOTTOM LH.
85	309222	SOLENOID BRACKET BOTTOM RH.

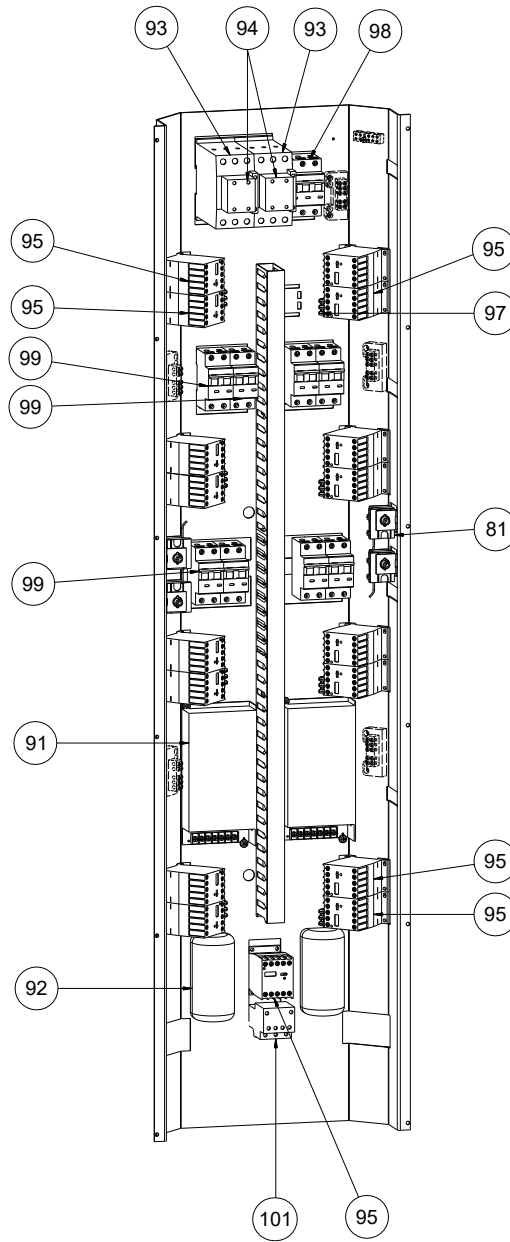
7.6.6B R34DHC - Water System From Ser No. 1833685



ITEM	PART NO.	DESCRIPTION
15	309153	STEAM TUBE STD LH R3.
16	309155	STEAM TUBE STD RH R3.
121	245317	FITTING UNV, INLET 3/4" M
122	245316	R.P.E. MTG BRKT
123	245321	FITTING UNV ELBOW
124	245318	PRESSURE REDUCER UNV 1.2BAR BODY A
125	245319	FITTING UNV, OUTLET JG 10mm
126	245327	WATER TUBE 10mm OD 1450mm
127	245320	FITTING UNV INLET JG 10mm
128	245520	FITTING UNV T (F-M-F)
129	245322	SOLENOID UNV 24VDC NC BODY C
130	245324	FITTING UNV OUTLET JG 8mm
131	245331	WATER TUBE 8mm OD 450mm
132	245326	ELBOW SUPERSEAL JG 5/16"
133	245325	FITTING UNV OUTLET CAP
134	245279	WATER SOLENOID BRACKET R3
135	245338	WATER SOLENOID BRACKET BOTTOM R3
136	245323	FLOW RESTRICTOR UNV OUTLET BLACK
137	245330	WATER TUBE 8mm OC 210mm

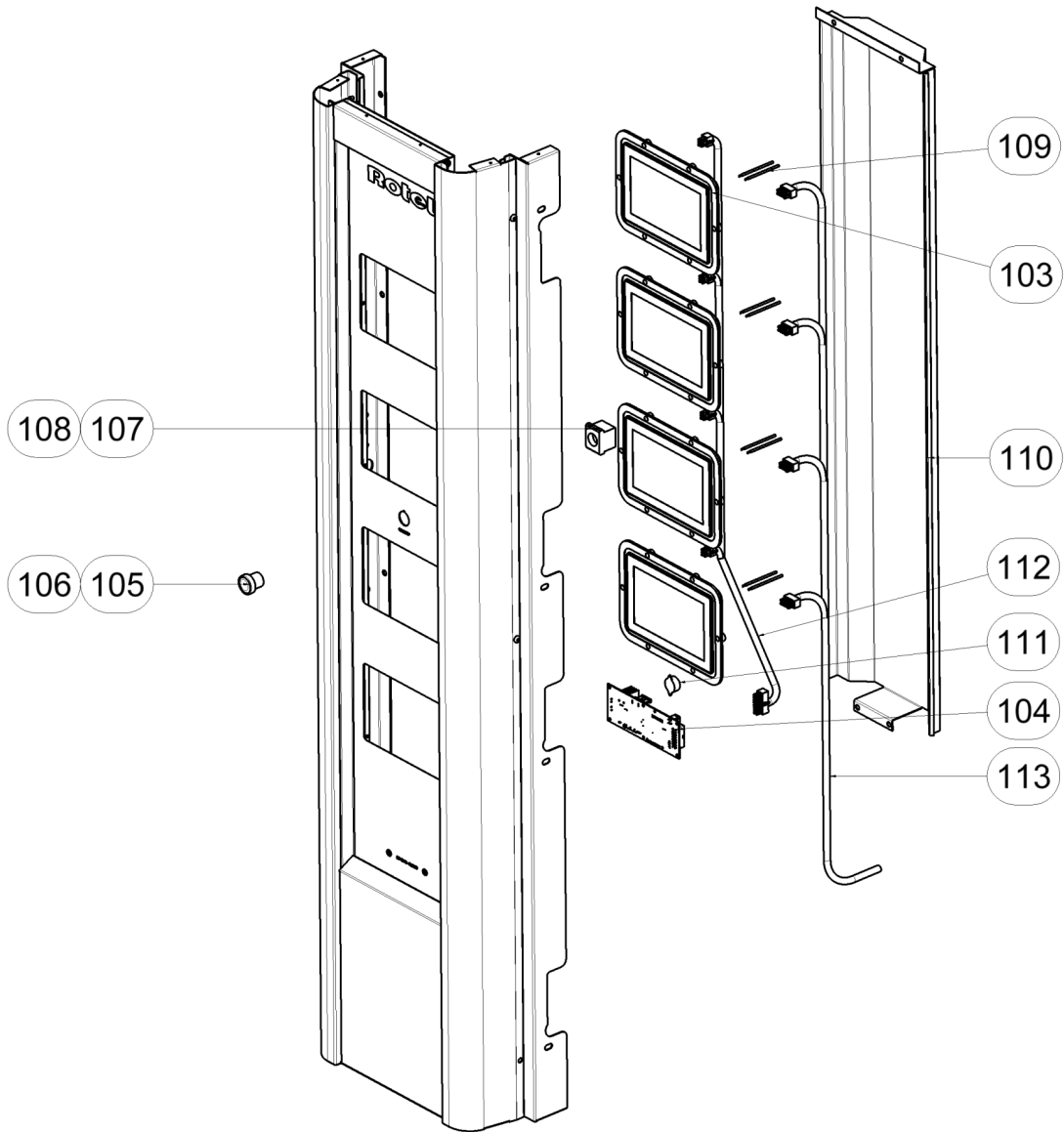
7 Exploded Parts List

7.6.7 R34DHC - Electrical Gear Panel



ITEM	PART NO.	DESCRIPTION
91	306360	POWER SUPPLY 150W 24VDC R3
92	300138	TRANSFORMER 105VA 240/12V
93	309216	CONTACTOR 3 POLE DILM50 240V AC
94	309127	AUXILIARY CONTACT DILM150-XHI11
95	308155	CONTR AUX N/O DILM7-10 3kW 24V DC 20A
97	300135	STAR POINT BRIDGE DILM12-XS1
98	305033	CIRCUIT BREAKER PLS6-C10/3
99	306813	CIRCUIT BREAKER PLS6-C25/2
101	306924	OVERLOAD RELAY ZB12 1.6
81	025400	OVERTEMP THERMOSTAT 360C

7.6.8 R34DHC - Control Panel



ITEM	PART NO.	DESCRIPTION
103	307787	CONTROLLER AND SCREEN ATBR3DC R3
104	307797	DISTRIBUTION BOARD ATBR3DB R3
105	309115	PUSH BUTTON FLUSH BLUE ILLUM M22-DRL-B
106	309116	LED BLUE 12-30V AC/DC M22-LED-B
107	302644	PUSH BUTTON ADAPTOR M22-A
108	302704	CONTACT ELEMENT N/O M22-K10
109	308199	THERMOCOUPLE WIRE TW-K20-G/G
110	309185	CONTROLLER COVER TWIN
111	309104	BUZZER 3-28V DC 85dB CONT KPEG260 R3
112	309159	WIRING HARNESS CONTROL DISTRIBUTION TWIN R3
113	309161	WIRING HARNESS CONTROL I/O 4DECK TWIN R3

